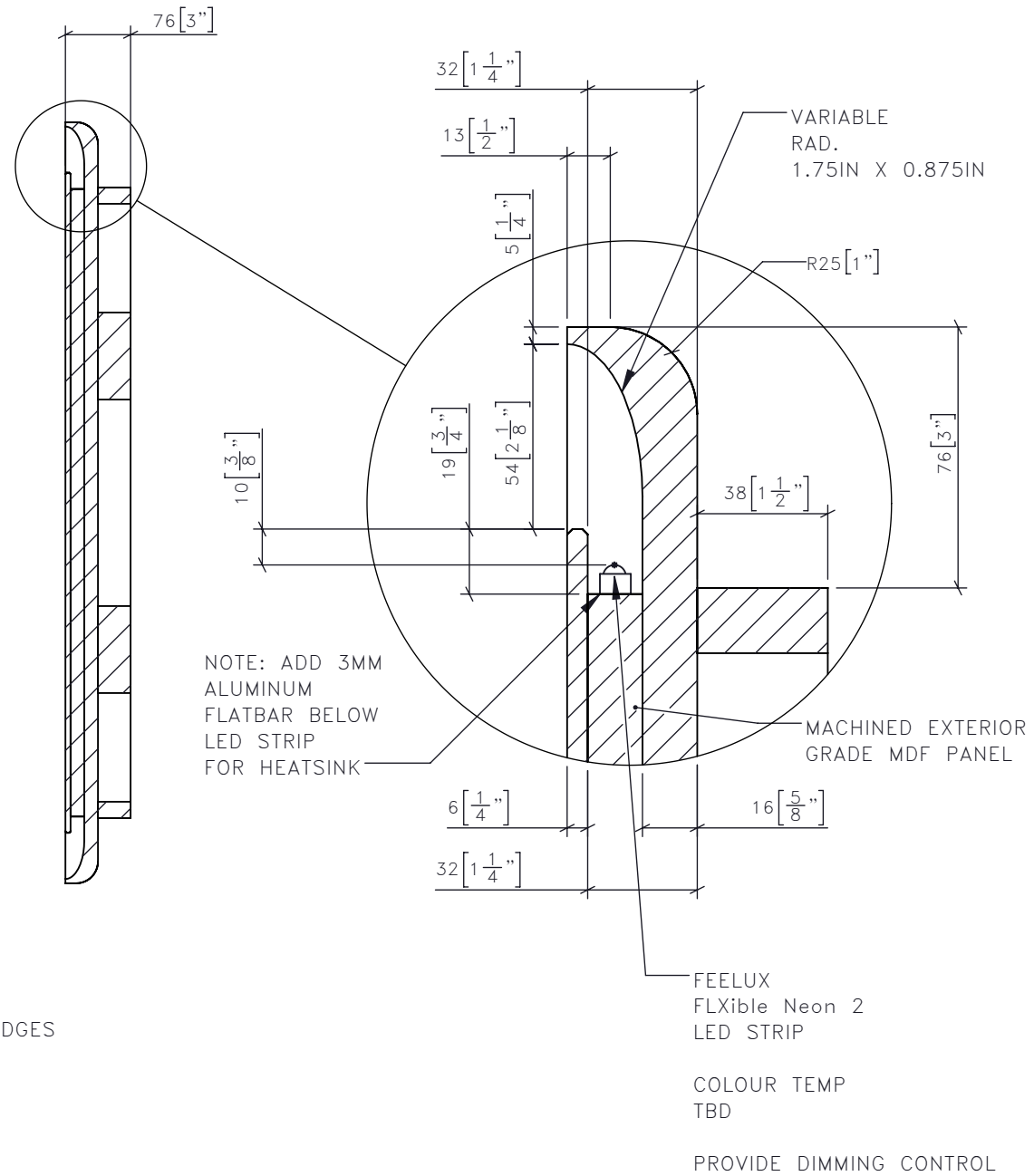
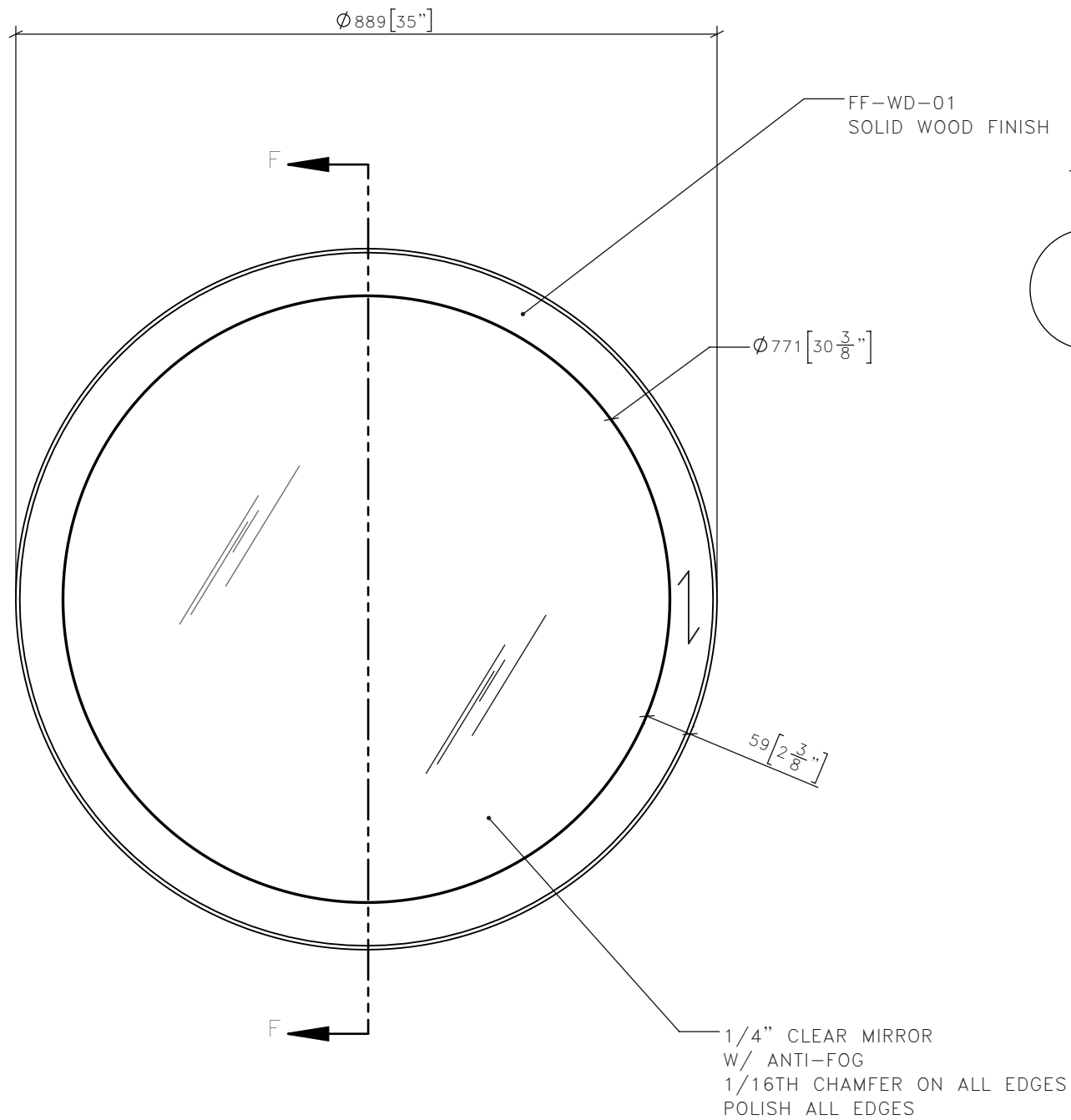


REV	ISSUED FOR	DATE



**STUDIO MUNGE**  
 25 WINGOLD AVENUE  
 TORONTO, ONTARIO  
 M6B 1P8 CANADA  
 416.588.1668  
 STUDIOMUNGE.COM

<b>-SCALE</b> AS NOTED	<b>-DATE</b> 1/31/20
<b>-DRAWN BY</b> RC	<b>-CHECKED BY</b> 
<b>-PROJECT NAME</b>  QUEEN'S MARQUE	
<b>-DRAWING TITLE</b>  M-507 VANITY MIRROR - A	
<b>-PROJECT NUMBER</b> 17140	
<b>-DRAWING NUMBER</b> 1 / 3	

**1** | M-507 | VANITY MIRROR - A  
 1:8 | FRONT ELEVATION

**2** | M-507 | VANITY MIRROR - A  
 1:8 | SIDE ELEVATION

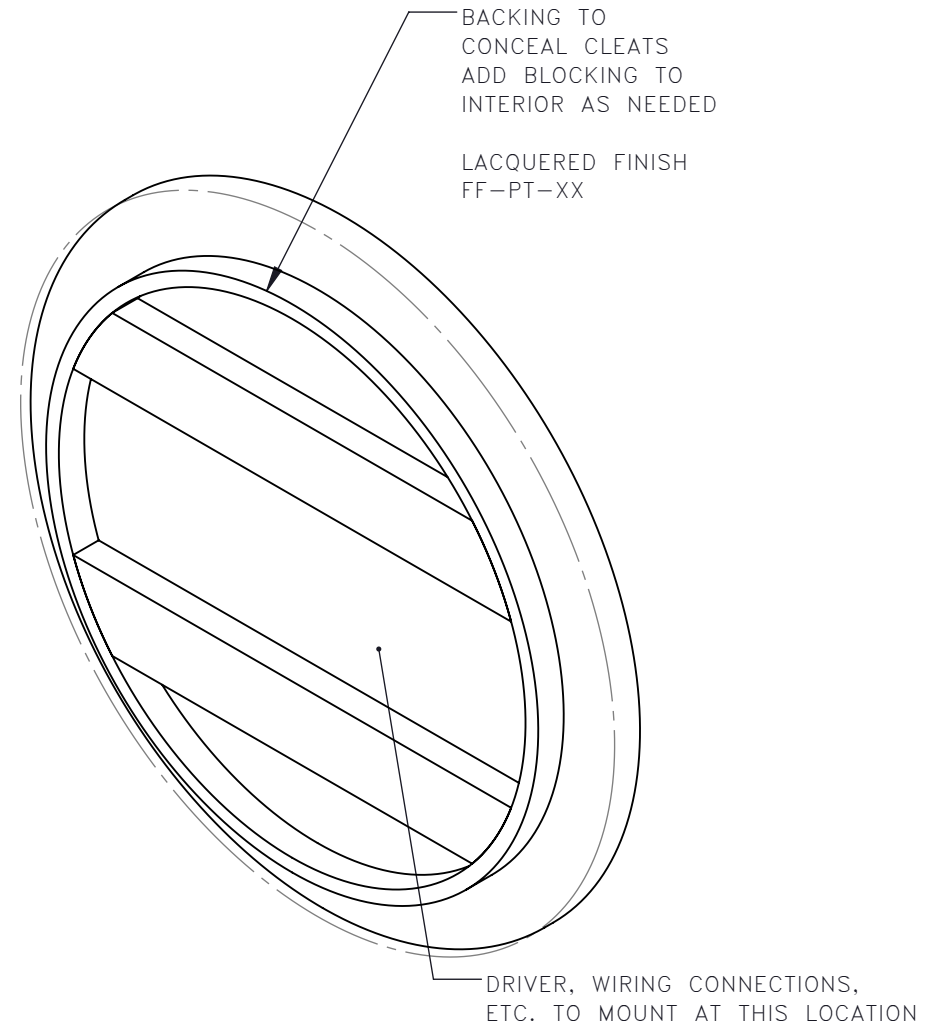
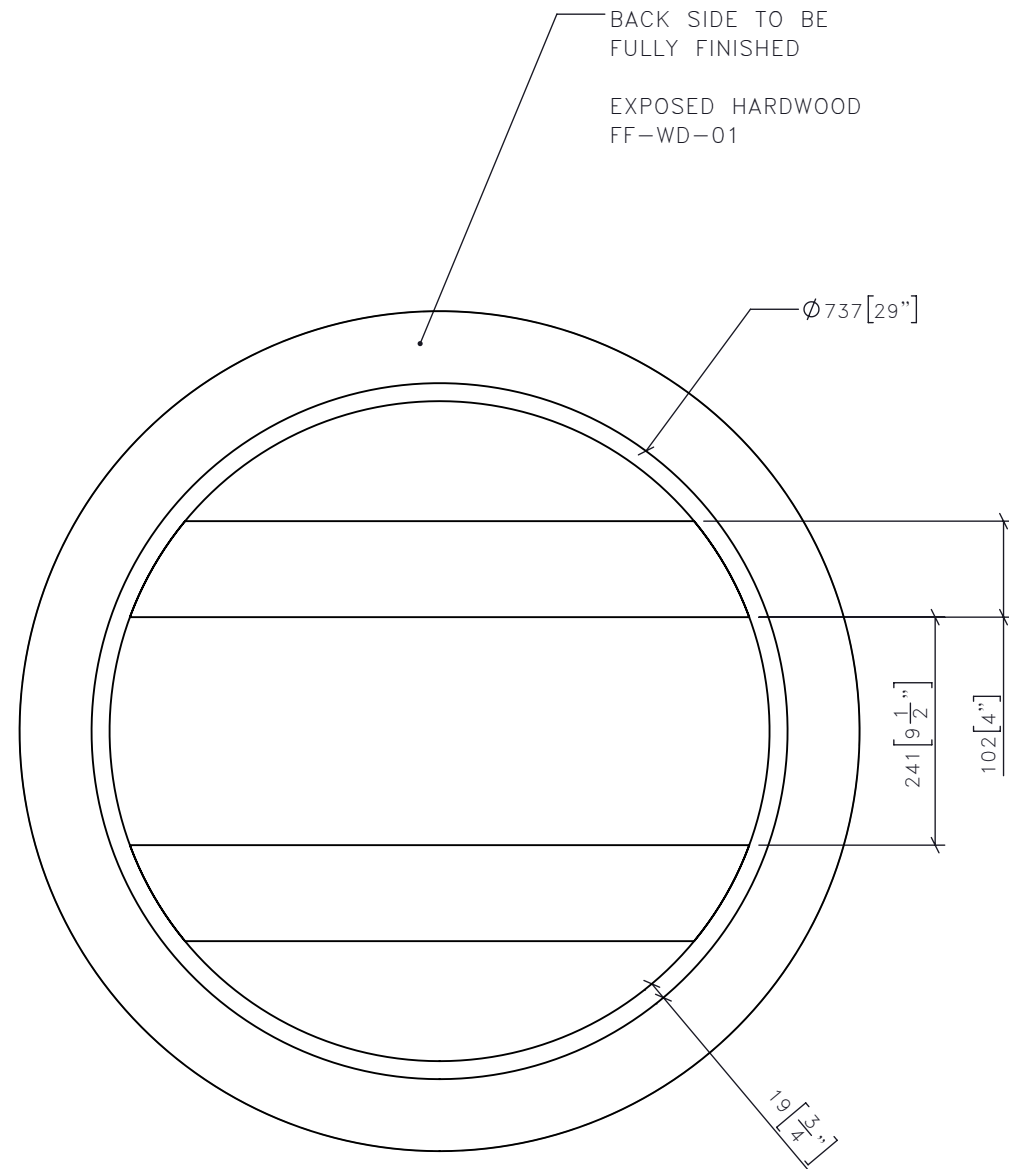
STUDIO MUNGE

FOR DESIGN INTENT ONLY

NOTE: ALL MATERIALS, FINISHES,  
AND FASTENERS TO BE SUITABLE FOR  
DAMP LOCATIONS

DRAWING ARE NOT TO BE SCALED. CONTRACTOR MUST CHECK AND VERIFY  
ALL JOB DIMENSIONS, DRAWINGS, DETAILS AND SPECIFICATIONS; AND  
REPORT ANY DISCREPANCIES TO DESIGNER BEFORE PROCEEDING WITH WORK.

-REV/	-ISSUED FOR	-DATE



**STUDIO  
MUNGE**  
25 WINGOLD AVENUE  
TORONTO, ONTARIO  
M6B 1P8 CANADA  
416.588.1668  
STUDIOMUNGE.COM

-SCALE AS NOTED	-DATE 1/31/20
-DRAWN BY RC	-CHECKED BY
-PROJECT NAME  QUEEN'S MARQUE	
-DRAWING TITLE  M-507 VANITY MIRROR - A	
-PROJECT NUMBER 17140	
-DRAWING NUMBER 2 / 3	

**3** | M-507 | VANITY MIRROR - A  
1:8 | ISOMETRIC FRONT

**4** | M-507 | VANITY MIRROR - A  
1:8 | ISOMETRIC REAR

STUDIO MUNGE  
Y  
F  
D  
C  
B  
A  
Y

NOTE: ALL MATERIALS, FINISHES,  
AND FASTENERS TO BE SUITABLE FOR  
DAMP LOCATIONS



3	M-507	VANITY MIRROR - A RENDERED VIEW
	1:8	

FOR DESIGN INTENT ONLY

DRAWING ARE NOT TO BE SCALED. CONTRACTOR MUST CHECK AND VERIFY ALL JOB DIMENSIONS, DRAWINGS, DETAILS AND SPECIFICATIONS; AND REPORT ANY DISCREPANCIES TO DESIGNER BEFORE PROCEEDING WITH WORK.

-REV/	-ISSUED FOR	-DATE

**STUDIO  
MUNGE**  
25 WINGOLD AVENUE  
TORONTO, ONTARIO  
M6B 1P8 CANADA  
416.588.1668  
STUDIOMUNGE.COM

<b>-SCALE</b> AS NOTED	<b>-DATE</b> 1/31/20
<b>-DRAWN BY</b> RC	<b>-CHECKED BY</b> 
<b>-PROJECT NAME</b>  QUEEN'S MARQUE	
<b>-DRAWING TITLE</b>  M-507 VANITY MIRROR - A	
<b>-PROJECT NUMBER</b> 17140	
<b>-DRAWING NUMBER</b> 3 / 3	