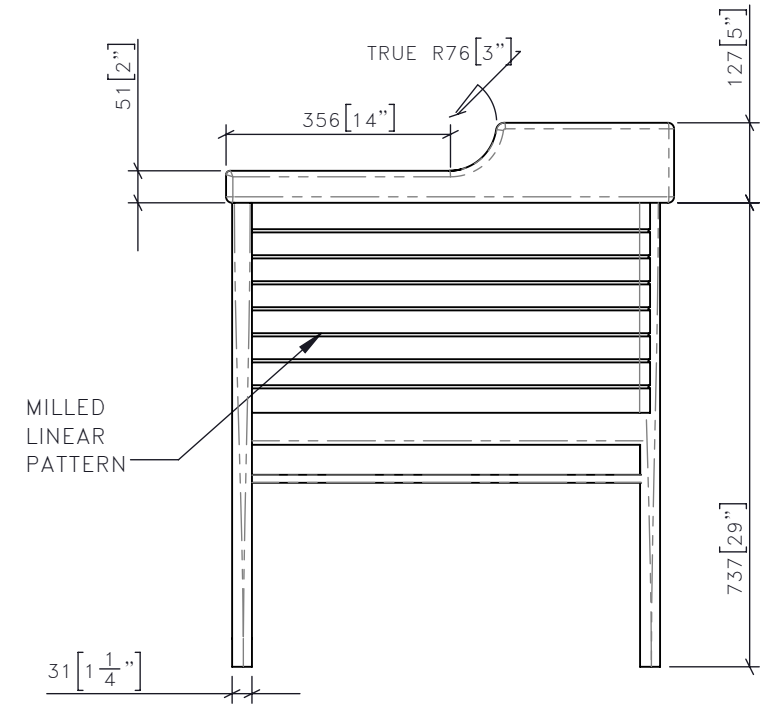
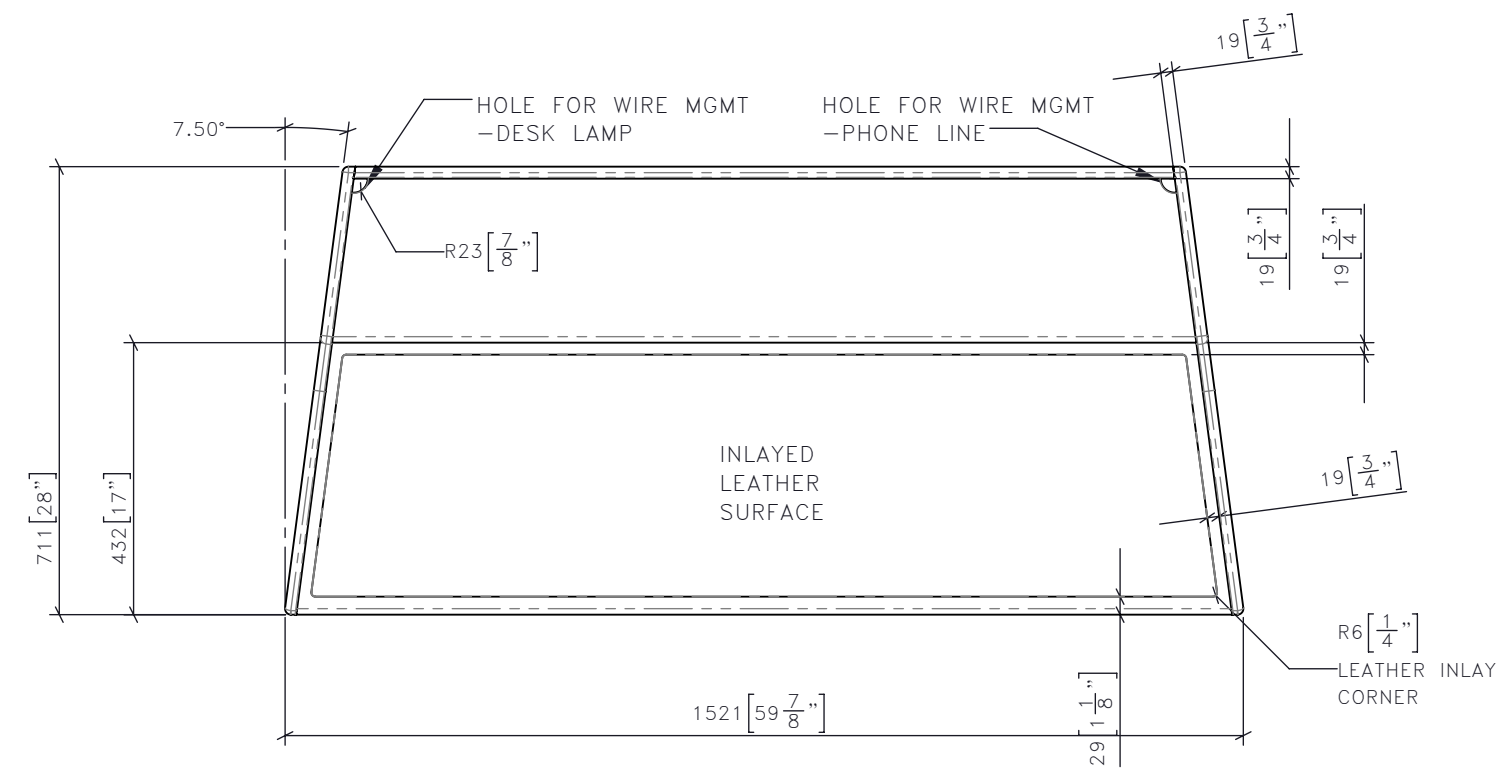


1 CG-524 DESK
1:12 FRONT ELEVATION



3 CG-524 DESK
1:12 SIDE ELEVATION



2 CG-524 DESK
1:12 PLAN

-REV/	-ISSUED FOR	-DATE

STUDIO MUNGE
25 WINGOLD AVENUE
TORONTO, ONTARIO
M6B 1P8 CANADA
416.588.1668
STUDIOMUNGE.COM

-SCALE AS NOTED
-DATE 5/18/20

-DRAWN BY CS
-CHECKED BY

-PROJECT NAME

QUEEN'S MARQUE

-DRAWING TITLE

CG-524
DESK

-PROJECT NUMBER 17140

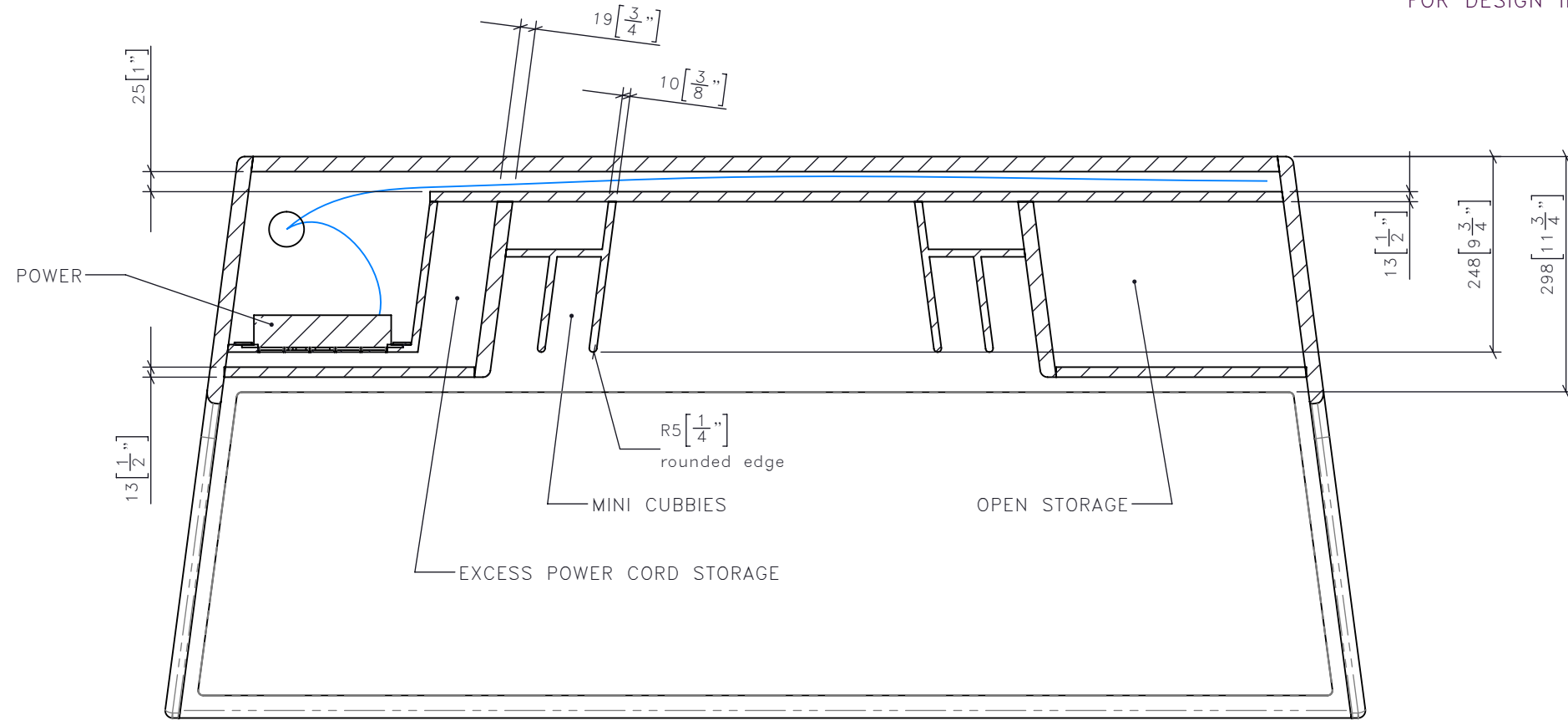
-DRAWING NUMBER 1 / 5

STUDIO MUNGE

FOR DESIGN INTENT ONLY

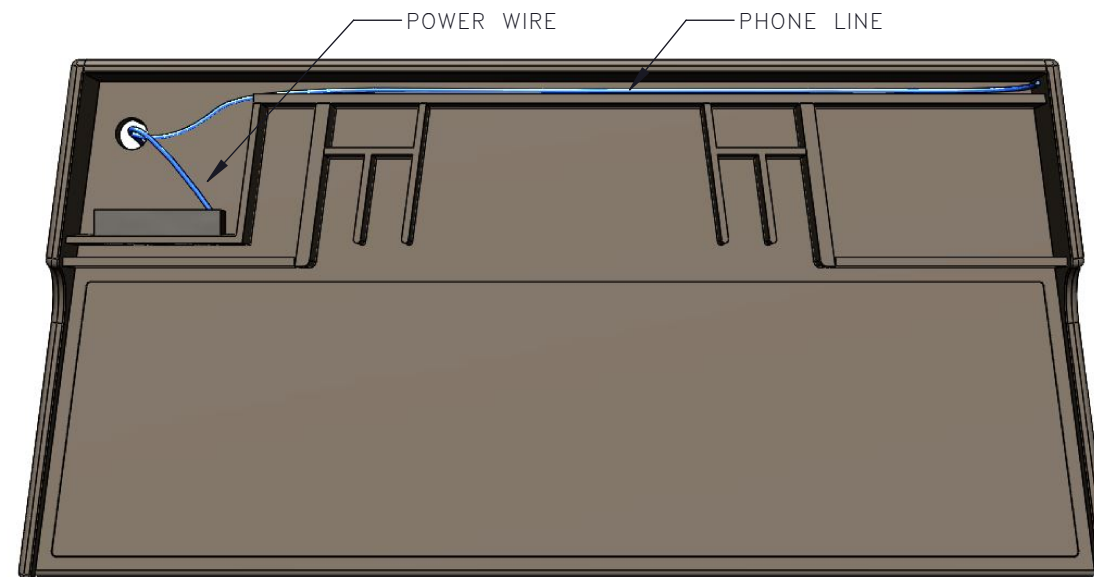
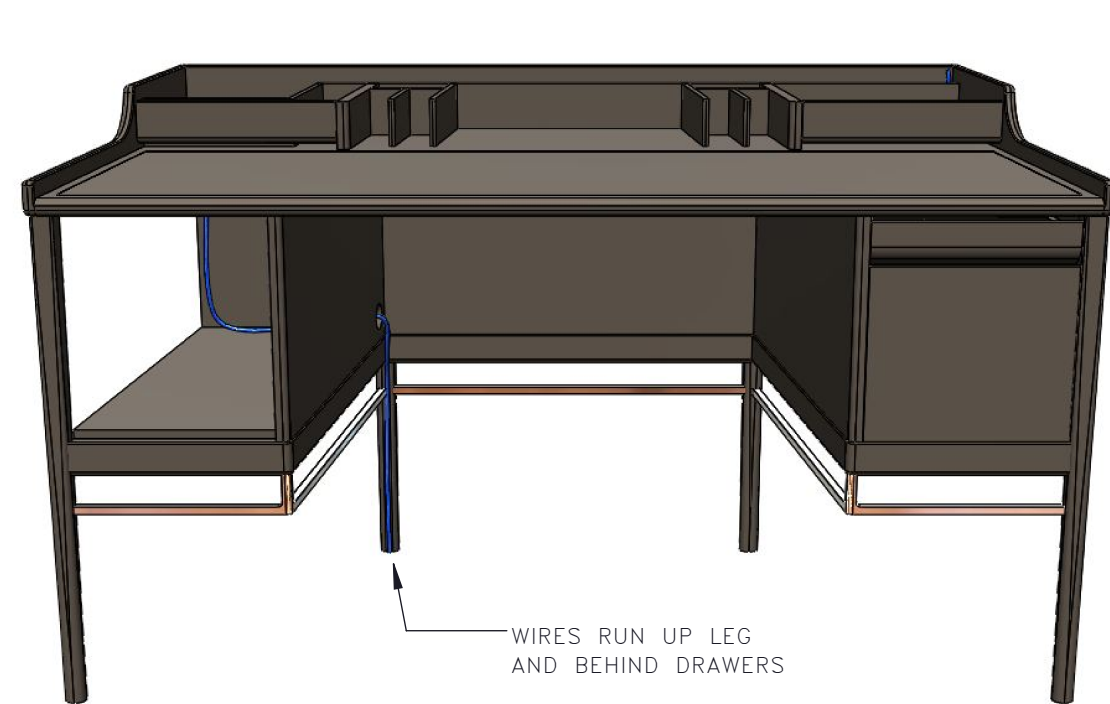
DRAWING ARE NOT TO BE SCALED. CONTRACTOR MUST CHECK AND VERIFY ALL JOB DIMENSIONS, DRAWINGS, DETAILS AND SPECIFICATIONS; AND REPORT ANY DISCREPANCIES TO DESIGNER BEFORE PROCEEDING WITH WORK.

STORAGE DIVISION & WIRE MANAGEMENT



SECTION B-B

4	CG-524	DESK STORAGE DIVISION
	1:8	



5	CG-524	DESK WIRE MANAGEMENT
	1:8	

-REV/	-ISSUED FOR	-DATE

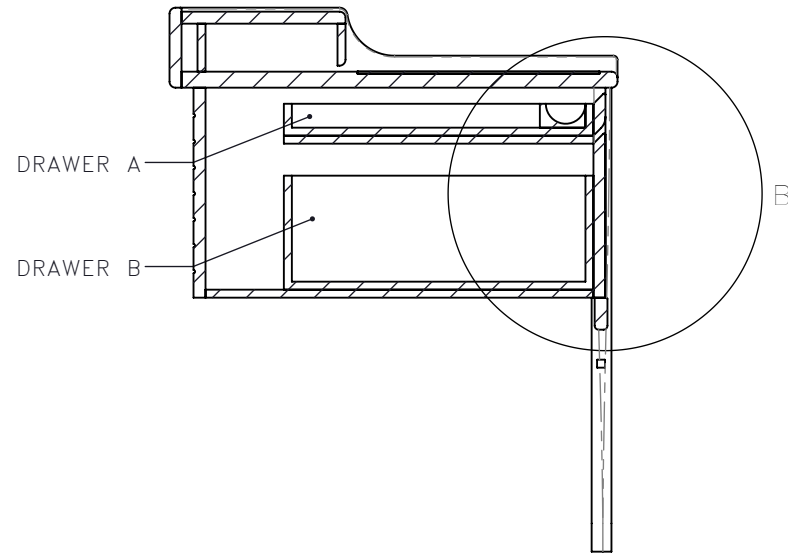
STUDIO MUNGE
 25 WINGOLD AVENUE
 TORONTO, ONTARIO
 M6B 1P8 CANADA
 416.588.1668
 STUDIOMUNGE.COM

-SCALE AS NOTED	-DATE 5/18/20
-DRAWN BY CS	-CHECKED BY
-PROJECT NAME QUEEN'S MARQUE	
-DRAWING TITLE CG-524 DESK	
-PROJECT NUMBER 17140	
-DRAWING NUMBER 2 / 5	

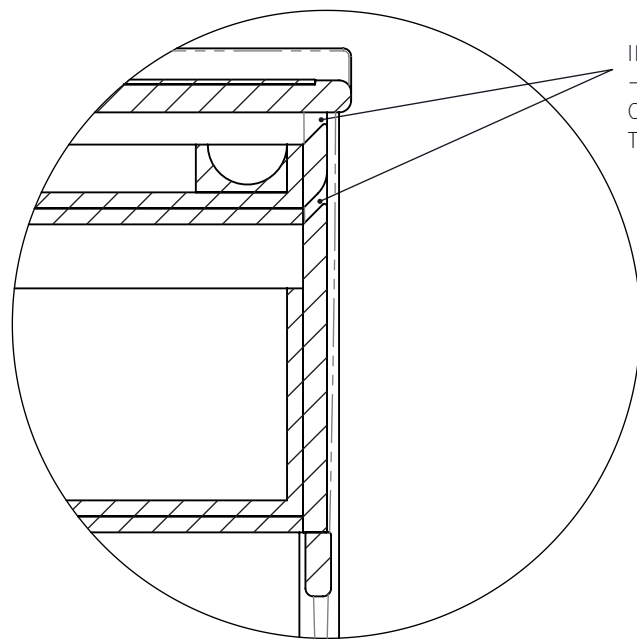
DRAWER DETAILS

FOR DESIGN INTENT ONLY

DRAWING ARE NOT TO BE SCALED. CONTRACTOR MUST CHECK AND VERIFY ALL JOB DIMENSIONS, DRAWINGS, DETAILS AND SPECIFICATIONS; AND REPORT ANY DISCREPANCIES TO DESIGNER BEFORE PROCEEDING WITH WORK.

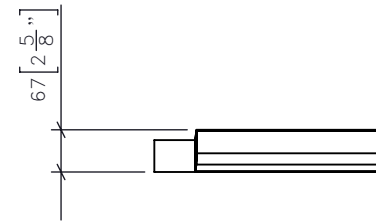
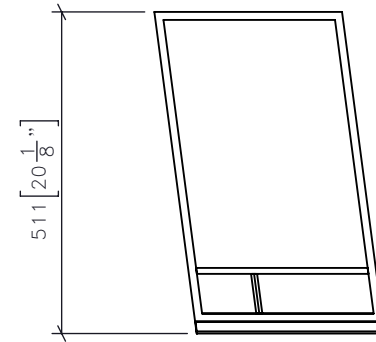


SECTION A-A

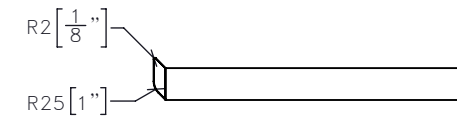
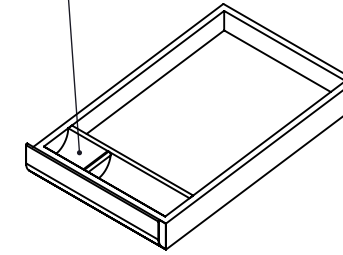


DETAIL B
SCALE 1 : 6

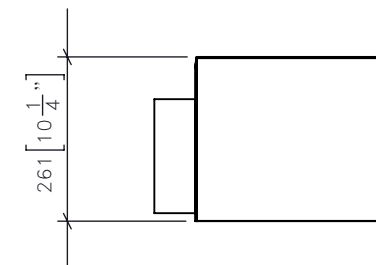
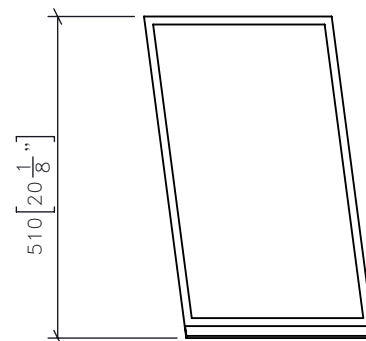
DRAWER A



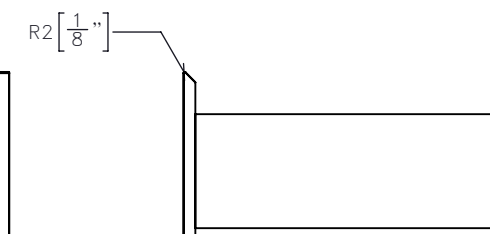
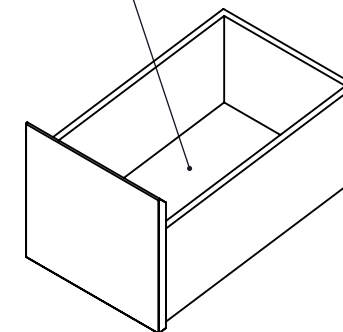
rounded catch-all with divider (both top drawers have this detail)



DRAWER B



open drawer



4	CG-524	DESK
	1:12	SECTION & DRAWER DETAILS

-SCALE AS NOTED	-DATE 5/18/20
-DRAWN BY CS	-CHECKED BY
-PROJECT NAME QUEEN'S MARQUE	
-DRAWING TITLE CG-524 DESK	
-PROJECT NUMBER 17140	
-DRAWING NUMBER 3 / 5	

FOR DESIGN INTENT ONLY

DRAWING ARE NOT TO BE SCALED. CONTRACTOR MUST CHECK AND VERIFY ALL JOB DIMENSIONS, DRAWINGS, DETAILS AND SPECIFICATIONS; AND REPORT ANY DISCREPANCIES TO DESIGNER BEFORE PROCEEDING WITH WORK.

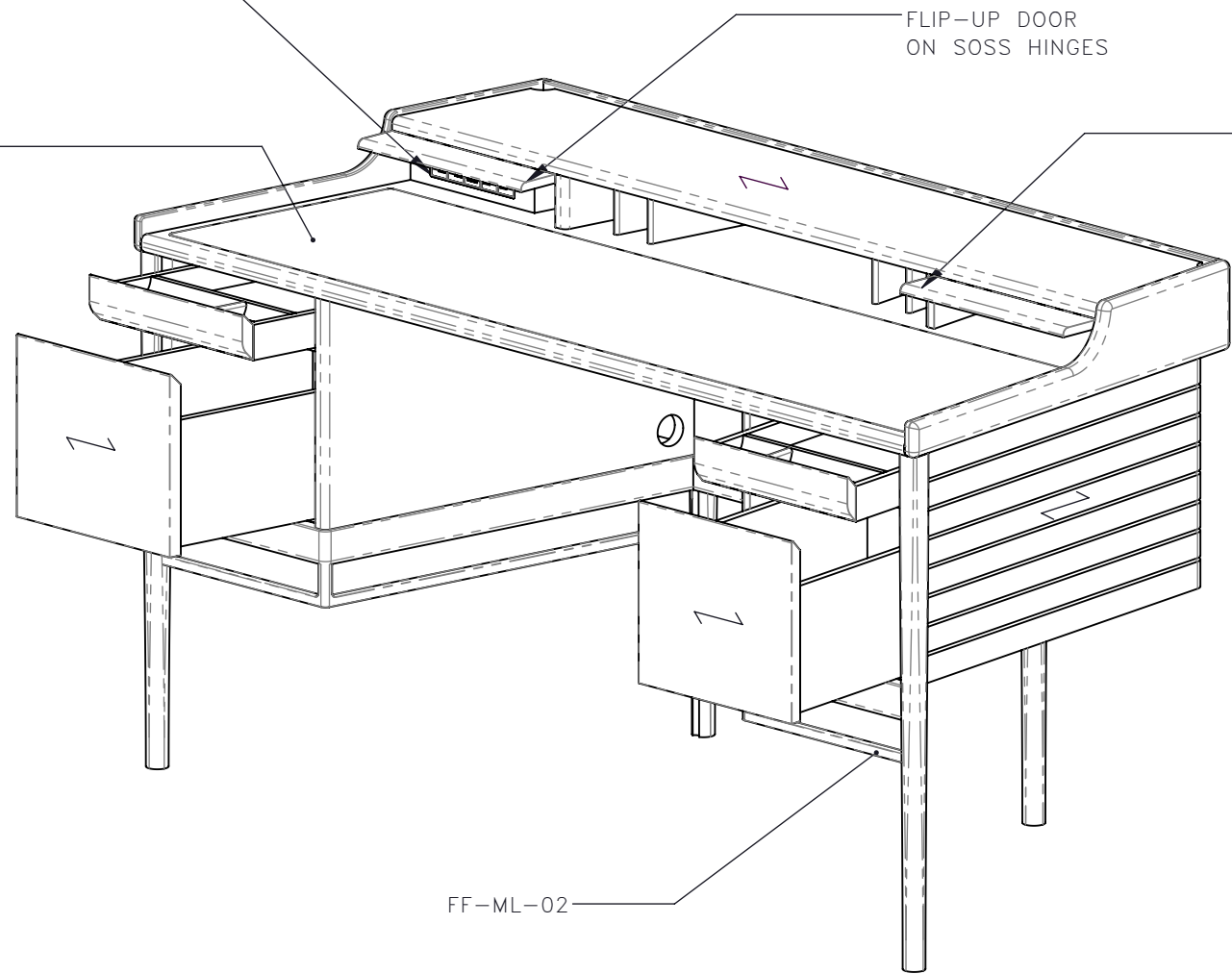
-REV/	-ISSUED FOR	-DATE

EQ_F-524
INSET MOCKET
METRO LIGHT & POWER
M-POWER-5T-AAUAA-SAB
WITH BLACK FINISH

FAB-XX
LEATEHR INLAY

FLIP-UP DOOR
ON SOSS HINGES

FLIP-UP DOOR
ON SOSS HINGES



FF-ML-02

6	CG-524	DESK
	1:10	

**STUDIO
MUNGE**
25 WINGOLD AVENUE
TORONTO, ONTARIO
M6B 1P8 CANADA
416.588.1668
STUDIOMUNGE.COM

-SCALE AS NOTED	-DATE 5/18/20
-DRAWN BY CS	-CHECKED BY
-PROJECT NAME QUEEN'S MARQUE	
-DRAWING TITLE CG-524 DESK	
-PROJECT NUMBER 17140	
-DRAWING NUMBER 4 / 5	

STUDIO MUNGE
E
F
D
C
B
A
Y

FOR DESIGN INTENT ONLY

DRAWING ARE NOT TO BE SCALED. CONTRACTOR MUST CHECK AND VERIFY ALL JOB DIMENSIONS, DRAWINGS, DETAILS AND SPECIFICATIONS; AND REPORT ANY DISCREPANCIES TO DESIGNER BEFORE PROCEEDING WITH WORK.

-REV/	-ISSUED FOR	-DATE



**STUDIO
MUNGE**
25 WINGOLD AVENUE
TORONTO, ONTARIO
M6B 1P8 CANADA
416.588.1668
STUDIOMUNGE.COM



-SCALE
AS NOTED

-DATE
5/18/20

-DRAWN BY
CS

-CHECKED BY

-PROJECT NAME

QUEEN'S MARQUE

-DRAWING TITLE

CG-524
DESK

-PROJECT NUMBER
17140

-DRAWING NUMBER
5 / 5

4 | CG-524 | DESK
1:5 | RENDERED VIEWS