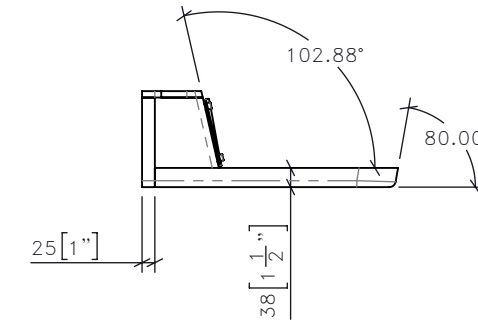
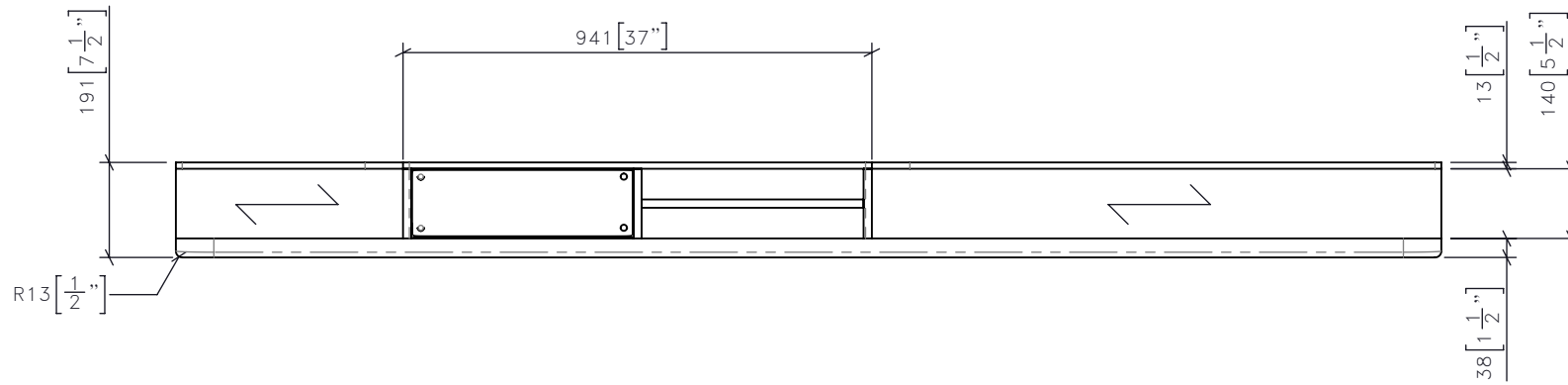


FOR DESIGN INTENT ONLY

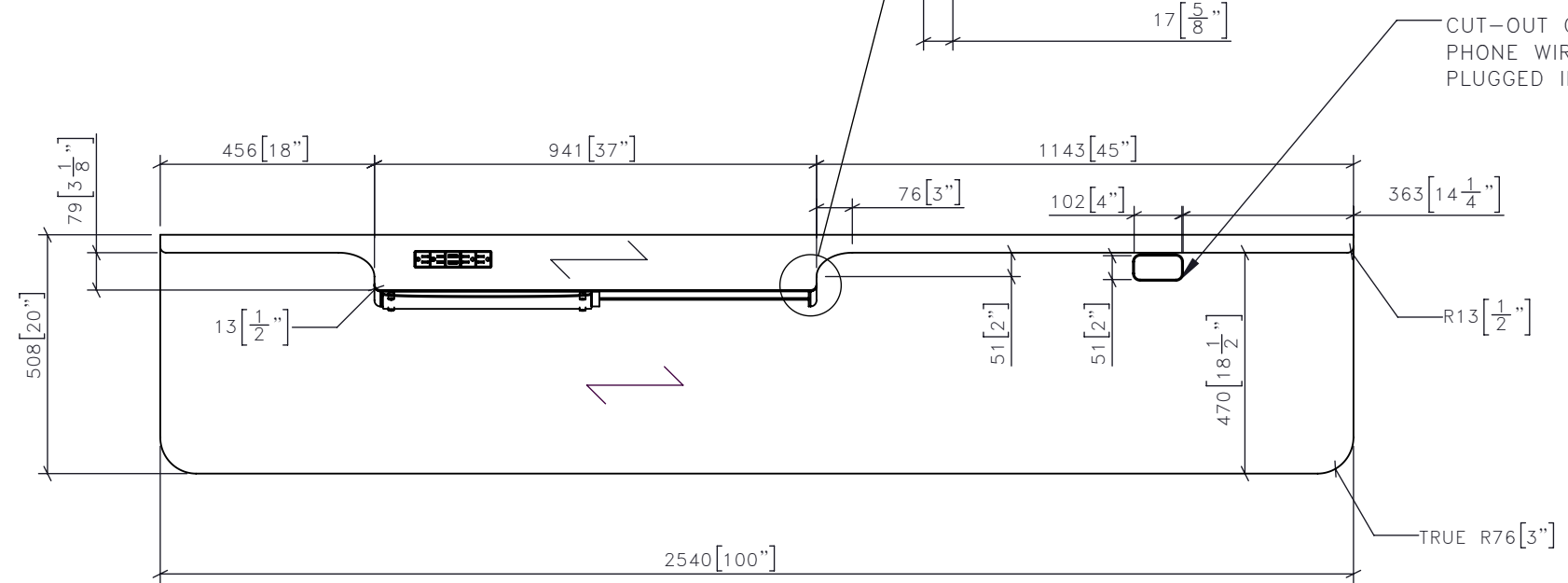
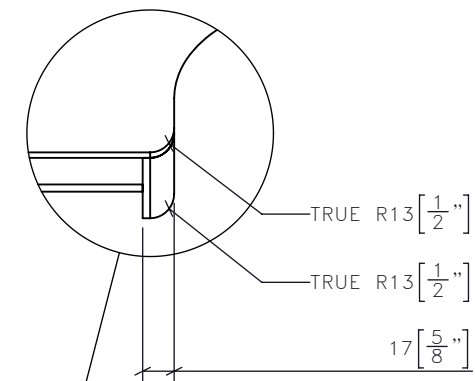
DRAWING ARE NOT TO BE SCALED. CONTRACTOR MUST CHECK AND VERIFY ALL JOB DIMENSIONS, DRAWINGS, DETAILS AND SPECIFICATIONS; AND REPORT ANY DISCREPANCIES TO DESIGNER BEFORE PROCEEDING WITH WORK.

REV	ISSUED FOR	DATE



1 CG-503A.L DESK-A
1:15 FRONT ELEVATION

3 CG-503A.L DESK-A
1:15 SIDE ELEVATION



2 CG-503A.L DESK-A
1:15 PLAN

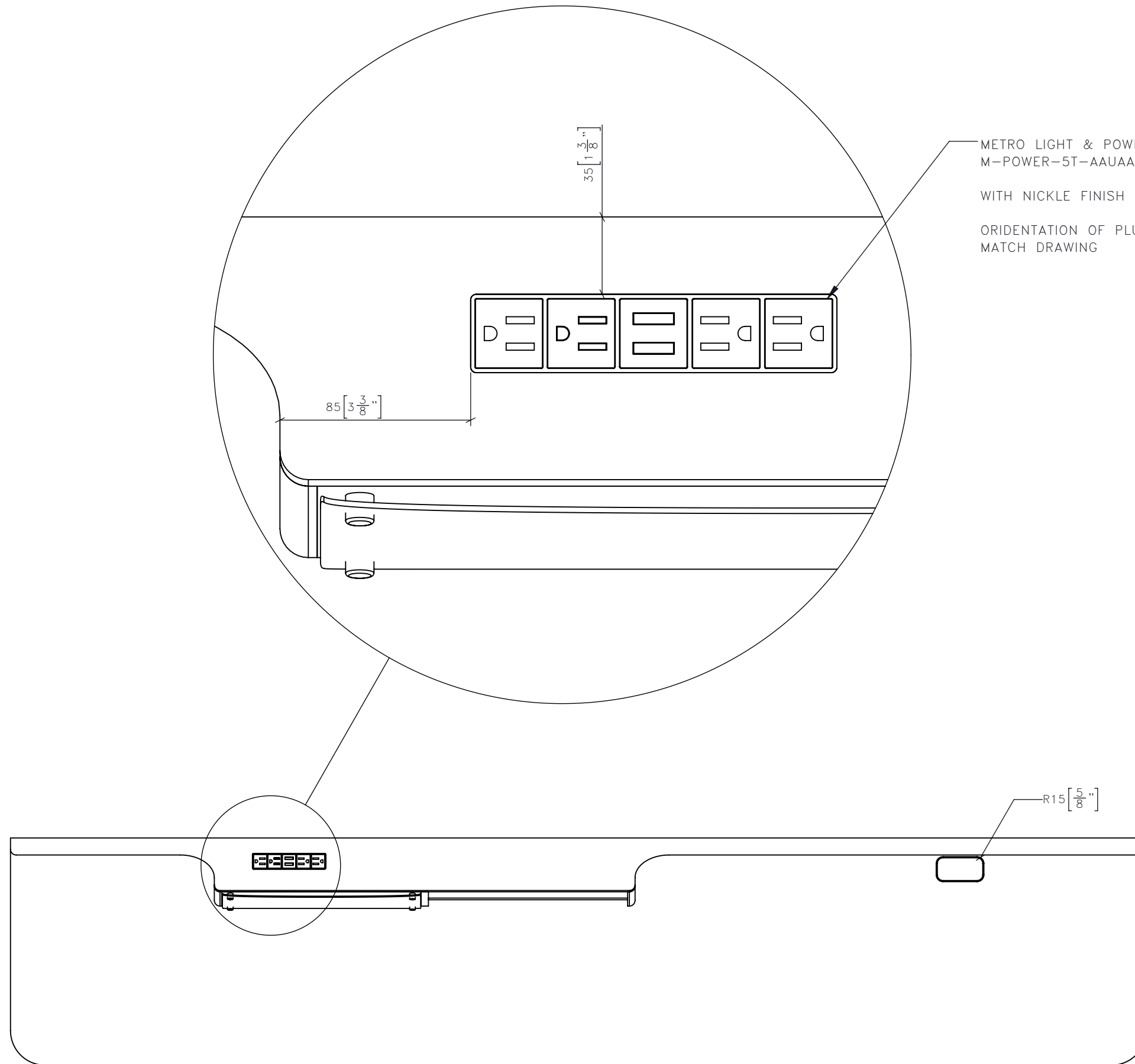
STUDIO MUNGE
25 WINGOLD AVENUE
TORONTO, ONTARIO
M6B 1P8 CANADA
416.588.1668
STUDIOMUNGE.COM

-SCALE AS NOTED	-DATE 3/4/20
-DRAWN BY RC	-CHECKED BY
-PROJECT NAME QUEEN'S MARQUE	
-DRAWING TITLE CG-503A.L DESK-A	
-PROJECT NUMBER 17140	
-DRAWING NUMBER 1 / 6	

FOR DESIGN INTENT ONLY

DRAWING ARE NOT TO BE SCALED. CONTRACTOR MUST CHECK AND VERIFY ALL JOB DIMENSIONS, DRAWINGS, DETAILS AND SPECIFICATIONS; AND REPORT ANY DISCREPANCIES TO DESIGNER BEFORE PROCEEDING WITH WORK.

-REV/	-ISSUED FOR	-DATE



STUDIO
MUNGE

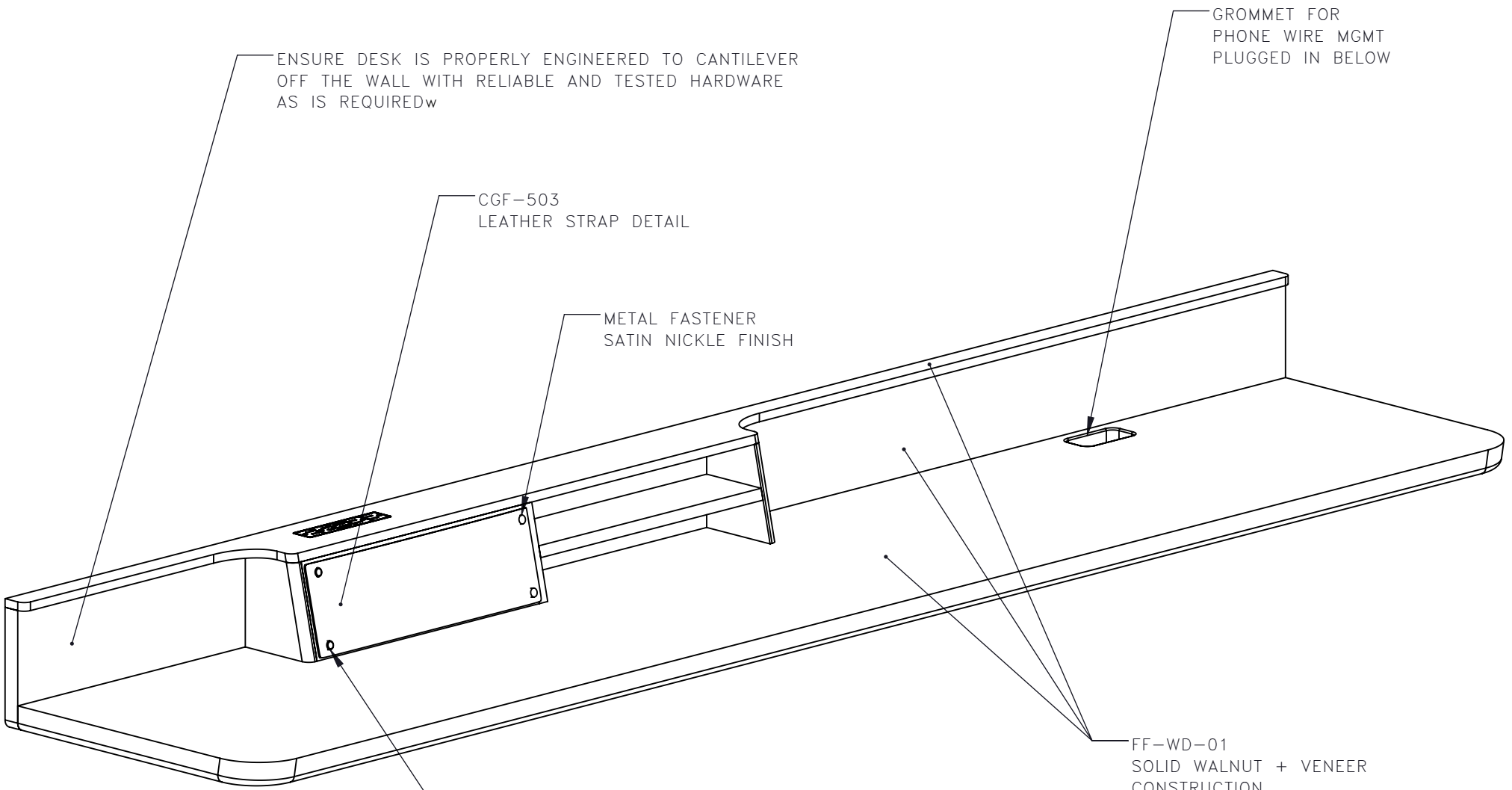
25 WINGOLD AVENUE
TORONTO, ONTARIO
M6B 1P8 CANADA
416.588.1668
STUDIOMUNGE.COM

-SCALE AS NOTED	-DATE 3/4/20
-DRAWN BY RC	-CHECKED BY
-PROJECT NAME QUEEN'S MARQUE	
-DRAWING TITLE CG-503A.L DESK-A	
-PROJECT NUMBER 17140	
-DRAWING NUMBER 2 / 6	

STUDIO MUNGE
E
D
C
B
A
Y

FOR DESIGN INTENT ONLY

DRAWING ARE NOT TO BE SCALED. CONTRACTOR MUST CHECK AND VERIFY ALL JOB DIMENSIONS, DRAWINGS, DETAILS AND SPECIFICATIONS; AND REPORT ANY DISCREPANCIES TO DESIGNER BEFORE PROCEEDING WITH WORK.



* PLEASE INCLUDE SPACERS OF 1/4" THICKNESS TO ALLOW FOR EXPERIMENTATION OF OFFSET TO A MAXIMUM OF 1"

-REV/	-ISSUED FOR	-DATE

STUDIO MUNGE
25 WINGOLD AVENUE
TORONTO, ONTARIO
M6B 1P8 CANADA
416.588.1668
STUDIOMUNGE.COM

-SCALE
AS NOTED

-DATE
3/4/20

-DRAWN BY
RC

-CHECKED BY

-PROJECT NAME
QUEEN'S MARQUE

-DRAWING TITLE
CG-503A.L
DESK-A

-PROJECT NUMBER
17140

-DRAWING NUMBER
3 / 6

STUDIO MUNGE
E
D
C
B
A
Y

1

2

3

4

5

6

FOR DESIGN INTENT ONLY

DRAWING ARE NOT TO BE SCALED. CONTRACTOR MUST CHECK AND VERIFY ALL JOB DIMENSIONS, DRAWINGS, DETAILS AND SPECIFICATIONS; AND REPORT ANY DISCREPANCIES TO DESIGNER BEFORE PROCEEDING WITH WORK.

-REV/	-ISSUED FOR	-DATE

**STUDIO
MUNGE**
25 WINGOLD AVENUE
TORONTO, ONTARIO
M6B 1P8 CANADA
416.588.1668
STUDIOMUNGE.COM



-SCALE
AS NOTED

-DATE
3/4/20

-DRAWN BY
RC

-CHECKED BY

-PROJECT NAME

QUEEN'S MARQUE

-DRAWING TITLE

CG-503A.L
DESK-A

-PROJECT NUMBER
17140

-DRAWING NUMBER
4 / 6

1

2

3

4

5

6

STUDIO MUNGE
E
F
D
C
B
A
Y

1 2 3 4 5 6

FOR DESIGN INTENT ONLY

DRAWING ARE NOT TO BE SCALED. CONTRACTOR MUST CHECK AND VERIFY ALL JOB DIMENSIONS, DRAWINGS, DETAILS AND SPECIFICATIONS; AND REPORT ANY DISCREPANCIES TO DESIGNER BEFORE PROCEEDING WITH WORK.

-REV/	-ISSUED FOR	-DATE



**STUDIO
MUNGE**
25 WINGOLD AVENUE
TORONTO, ONTARIO
M6B 1P8 CANADA
416.588.1668
STUDIOMUNGE.COM

-SCALE
AS NOTED

-DATE
3/4/20

-DRAWN BY
RC

-CHECKED BY

-PROJECT NAME

QUEEN'S MARQUE

-DRAWING TITLE

CG-503A.L
DESK-A

-PROJECT NUMBER
17140

-DRAWING NUMBER
5 / 6

1 2 3 4 5 6

Y
E
F
D
C
B
A
Y

1 2 3 4 5 6

FOR DESIGN INTENT ONLY

DRAWING ARE NOT TO BE SCALED. CONTRACTOR MUST CHECK AND VERIFY ALL JOB DIMENSIONS, DRAWINGS, DETAILS AND SPECIFICATIONS; AND REPORT ANY DISCREPANCIES TO DESIGNER BEFORE PROCEEDING WITH WORK.

-REV/	-ISSUED FOR	-DATE



STUDIO MUNGE
 25 WINGOLD AVENUE
 TORONTO, ONTARIO
 M6B 1P8 CANADA
 416.588.1668
 STUDIOMUNGE.COM

-SCALE AS NOTED
-DATE 3/4/20

-DRAWN BY RC
-CHECKED BY

-PROJECT NAME
 QUEEN'S MARQUE

-DRAWING TITLE
 CG-503A.L
 DESK-A

-PROJECT NUMBER
 17140

-DRAWING NUMBER
 6 / 6

1 2 3 4 5 6