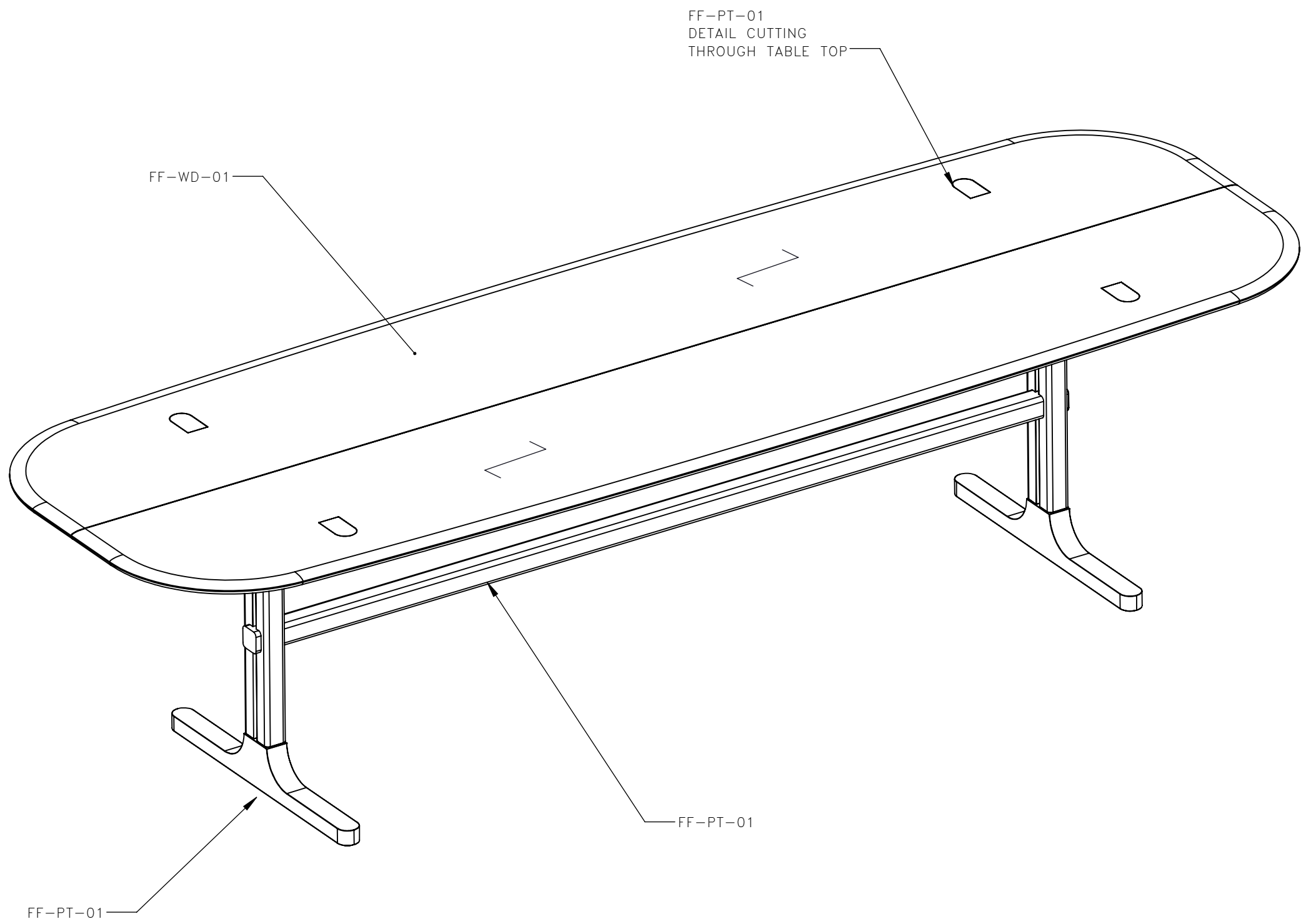


STUDIO MUNGE

DRAWING ARE NOT TO BE SCALED. CONTRACTOR MUST CHECK AND VERIFY ALL JOB DIMENSIONS, DRAWINGS, DETAILS AND SPECIFICATIONS; AND REPORT ANY DISCREPANCIES TO DESIGNER BEFORE PROCEEDING WITH WORK.

-REV/	-ISSUED FOR	-DATE



STUDIO MUNGE
 25 WINGOLD AVENUE
 TORONTO, ONTARIO
 M6B 1P8 CANADA
 416.588.1668
 STUDIOMUNGE.COM

-SCALE
AS NOTED

-DATE
2020-08-07

-DRAWN BY
RC

-CHECKED BY

-PROJECT NAME
QUEEN'S MARQUE

-DRAWING TITLE
FB-CG-07
DINING TABLE

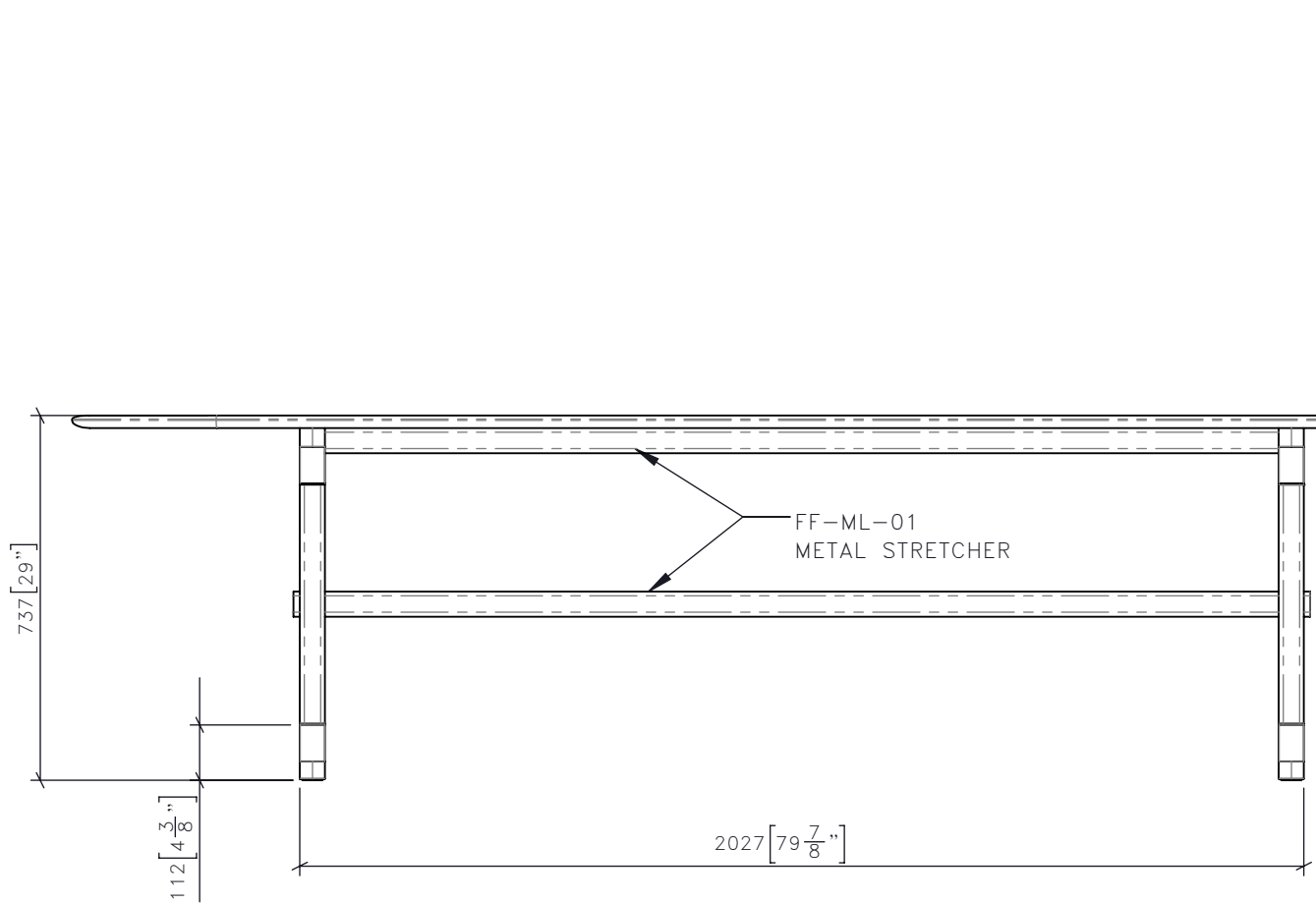
-PROJECT NUMBER
17140

-DRAWING NUMBER
2 / 4

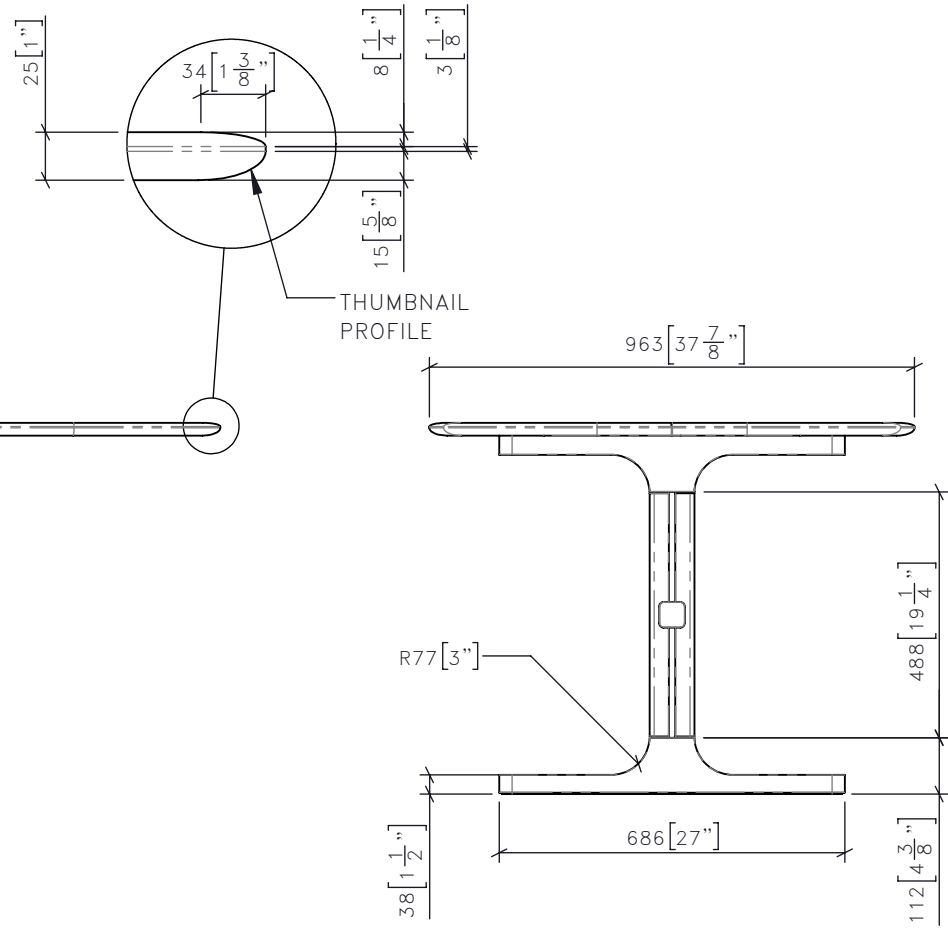
1 | FB-CG-07 | DINING TABLE
 1:10 | FRONT ELEVATION

DRAWING ARE NOT TO BE SCALED. CONTRACTOR MUST CHECK AND VERIFY ALL JOB DIMENSIONS, DRAWINGS, DETAILS AND SPECIFICATIONS; AND REPORT ANY DISCREPANCIES TO DESIGNER BEFORE PROCEEDING WITH WORK.

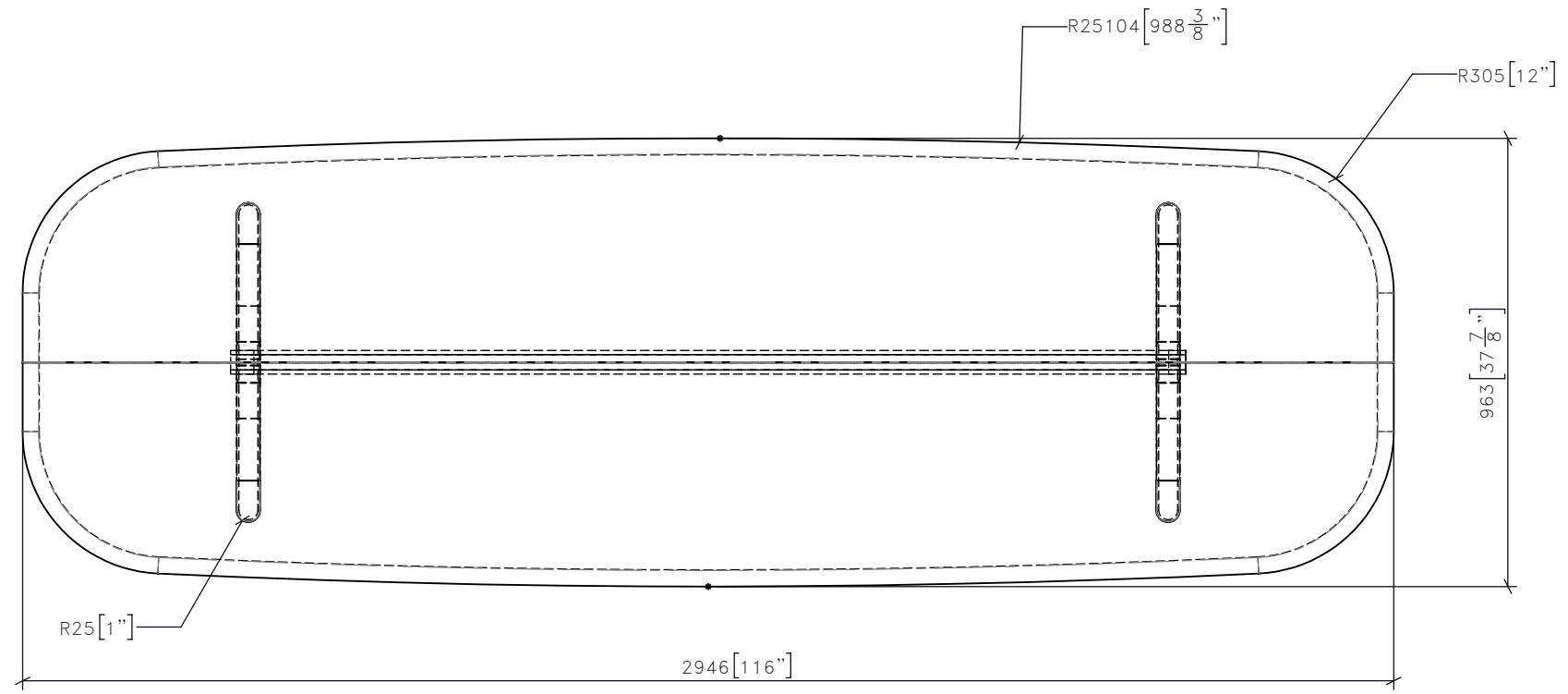
-REV/	-ISSUED FOR	-DATE



2 FB-CG-07 DINING TABLE
1:15 FRONT ELEVATION



4 FB-CG-07 DINING TABLE
1:15 SIDE ELEVATION



3 FB-CG-07 DINING TABLE
1:15 PLAN

STUDIO MUNGE
25 WINGOLD AVENUE
TORONTO, ONTARIO
M6B 1P8 CANADA
416.588.1668
STUDIOMUNGE.COM

-SCALE AS NOTED
-DATE 2020-08-07

-DRAWN BY CS
-CHECKED BY

-PROJECT NAME
QUEEN'S MARQUE

-DRAWING TITLE
FB-CG-07
DINING TABLE

-PROJECT NUMBER
17140

-DRAWING NUMBER
3 / 4

STUDIO MUNGE
E
F
D
C
B
A
Y

DRAWING ARE NOT TO BE SCALED. CONTRACTOR MUST CHECK AND VERIFY ALL JOB DIMENSIONS, DRAWINGS, DETAILS AND SPECIFICATIONS; AND REPORT ANY DISCREPANCIES TO DESIGNER BEFORE PROCEEDING WITH WORK.

-REV/	-ISSUED FOR	-DATE

STUDIO MUNGE
25 WINGOLD AVENUE
TORONTO, ONTARIO
M6B 1P8 CANADA
416.588.1668
STUDIOMUNGE.COM

-SCALE
AS NOTED

-DATE
2020-08-07

-DRAWN BY
RC

-CHECKED BY

-PROJECT NAME

QUEEN'S MARQUE

-DRAWING TITLE

FB-CG-07
DINING TABLE

-PROJECT NUMBER
17140

-DRAWING NUMBER
4 / 4



5 | FB-CG-07 | DINING TABLE
1:10 | RENDERED VIEW