

STUDIO MUNGE

CASE GOODS INSTRUCTONS:

- DRAWINGS PROVIDED ARE FOR DESIGN INTENT ONLY
- SUBMITTAL OF SHOP DRAWINGS, FINISH SAMPLES, AND/OR PROTOTYPE TO STUDIO MUNGE FOR REVIEW AND WRITTEN APPROVAL IS REQUIRED FOR ALL PIECES SUPPLIED BY INDICATED VENDOR OR OTHER.
- PROVIDE CONTRACT QUALITY LOW PROFILE LEVELERS AS REQUIRED
- PROVIDE CONTRACT QUALITY LOW PROFILE GLIDES TO PROTECT FLOOR FROM SCRATCHING
- PROVIDE CONTRACT QUALITY UNDER-MOUNTED SOFT CLOSE SLIDES FOR PULL OUT COMPONENTS UNLESS OTHERWISE SPECIFIED
- PROVIDE CONTRACT QUALITY SOFT CLOSE HINGED UNLESS OTHERWISE SPECIFIED
- REFER TO DRAWINGS FOR DETAILS
- BLOCKING TO BE COORDINATED ONSITE TO PREVENT TIPPING
- INTEGRATED LIGHTING TO BE COORDINATED WITH ELECTRICAL ENGINEER
- HARDWARE TO BE REVIEWED AND APPROVED BY SM
- WOOD CONSTRUCTION IS TO BE SELECTED, SEASONED, FREE OF KNOTS, FREE OF WORMS AND VERMIN, AND KILN-DRIED TO A MOISTURE CONTENT NOT TO EXCEED 7%. IF IMPORTED, FUMIGATION MAY BE REQUIRED DEPENDING ON COUNTRY OF ORIGIN AND CERTIFICATE
- ALL WELDS ON METAL TO BE GROUND SMOOTH AND CLEAN
- PURCHASING AGENT TO SUBMIT ALL NEW SUBSTITUTIONS TO STUDIO MUNGE FOR WRITTEN APPROVAL PRIOR TO MANUFACTURING AND PURCHASING

MATERIAL INSTRUCTONS:

- MATERIALS TO BE OUTDOOR GRADE WHEN REQUIRED AND SPECIFIED IN DRAWINGS AND ORDER
- REFER TO DRAWINGS FOR GRAIN DIRECTION WHEN APPLICABLE

MATERIAL CODE	DESCRIPTION	COLOR/FINISH
FF-WD-02	SOLID FLAT CUT OAK -FREE OF KNOTS	REFER TO FINISH CUTSHEET

EQUIPMENT CODE	EQUIPMENT DESCRIPTION	QTY

REQUIRED ITEM(S) FOR DESIGNER APPROVAL PRIOR TO FABRICATION

- SEAMING DIAGRAM
 SHOP DRAWINGS
 PROTOTYPE
 FINISH SAMPLE



DRAWING ARE NOT TO BE SCALED. CONTRACTOR MUST CHECK AND VERIFY ALL JOB DIMENSIONS, DRAWINGS, DETAILS AND SPECIFICATIONS; AND REPORT ANY DISCREPANCIES TO DESIGNER BEFORE PROCEEDING WITH WORK.

-REV#	-ISSUED FOR	-DATE

STUDIO MUNGE

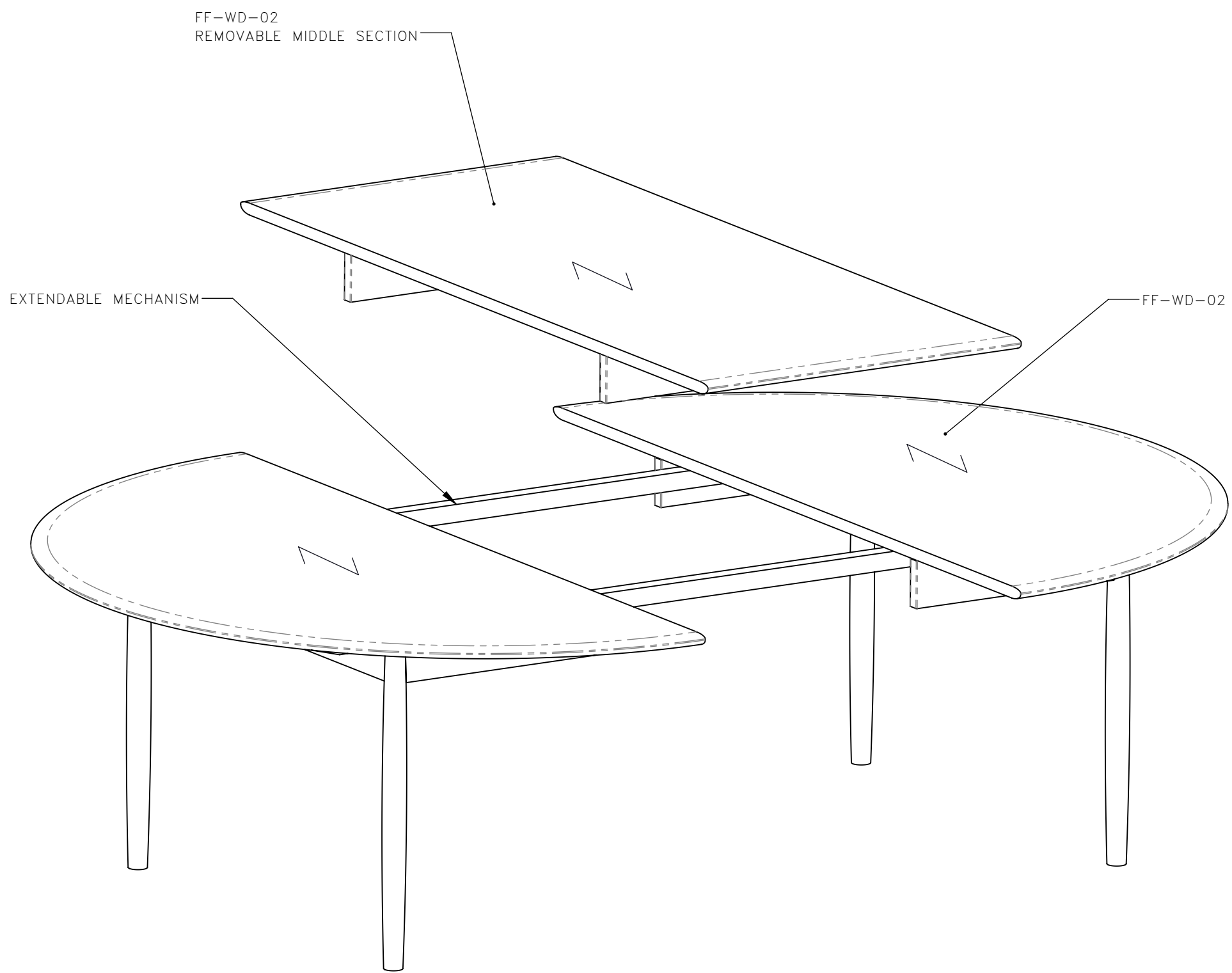
25 WINGOLD AVENUE
TORONTO, ONTARIO
M6B 1P8 CANADA
416.588.1668
STUDIOMUNGE.COM

-SCALE AS NOTED	-DATE 9/1/20
-DRAWN BY RC	-CHECKED BY
-PROJECT NAME QUEEN'S MARQUE	
-DRAWING TITLE FB-CG-07 PDR DINING TABLE	
-PROJECT NUMBER 17140	
-DRAWING NUMBER 1 / 6	

STUDIO MUNGE
Y
E
F
D
C
B
A
Y

DRAWING ARE NOT TO BE SCALED. CONTRACTOR MUST CHECK AND VERIFY ALL JOB DIMENSIONS, DRAWINGS, DETAILS AND SPECIFICATIONS; AND REPORT ANY DISCREPANCIES TO DESIGNER BEFORE PROCEEDING WITH WORK.

-REV/	-ISSUED FOR	-DATE



**STUDIO
MUNGE**
25 WINGOLD AVENUE
TORONTO, ONTARIO
M6B 1P8 CANADA
416.588.1668
STUDIOMUNGE.COM

-SCALE
AS NOTED

-DATE
9/1/20

-DRAWN BY
RC

-CHECKED BY

-PROJECT NAME

QUEEN'S MARQUE

-DRAWING TITLE

FB-CG-07
PDR DINING TABLE

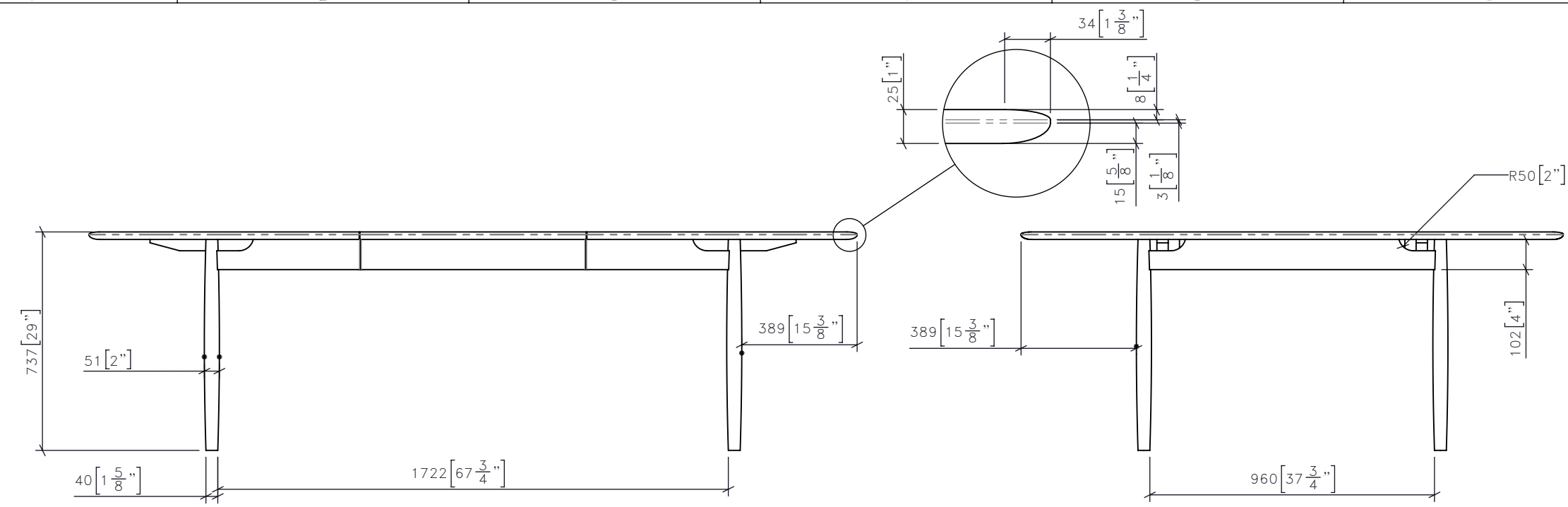
-PROJECT NUMBER
17140

-DRAWING NUMBER
2 / 6

1 | FB-CG-07 | PDR DINING TABLE
1:10 | FRONT ELEVATION

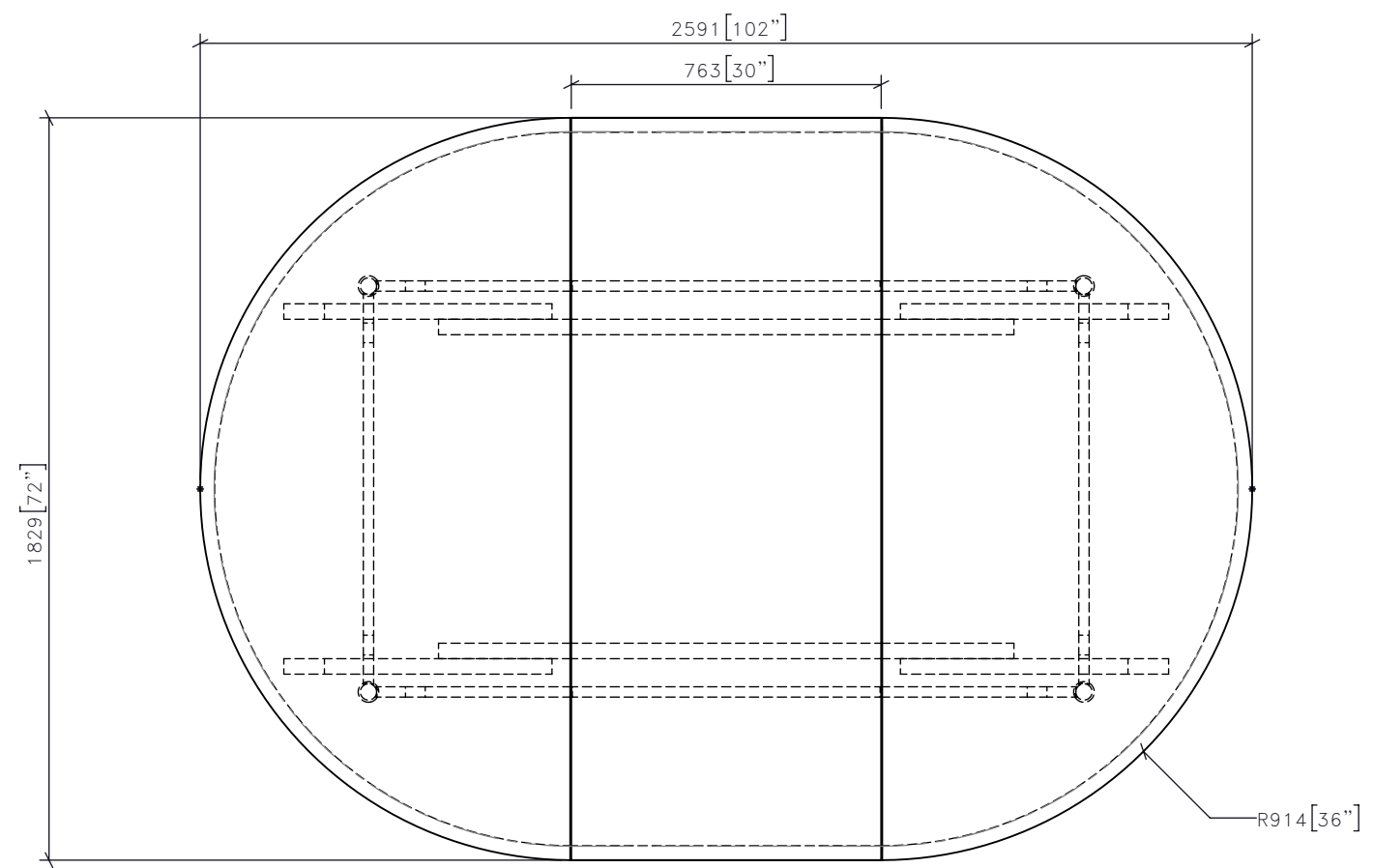
DRAWING ARE NOT TO BE SCALED. CONTRACTOR MUST CHECK AND VERIFY ALL JOB DIMENSIONS, DRAWINGS, DETAILS AND SPECIFICATIONS; AND REPORT ANY DISCREPANCIES TO DESIGNER BEFORE PROCEEDING WITH WORK.

-REV/	-ISSUED FOR	-DATE



2 | FB-CG-07 | **PDR DINING TABLE**
1:18 | FRONT ELEVATION

4 | FB-CG-07 | **PDR DINING TABLE**
1:18 | SIDE ELEVATION



3 | FB-CG-07 | **PDR DINING TABLE**
1:18 | PLAN

STUDIO MUNGE
25 WINGOLD AVENUE
TORONTO, ONTARIO
M6B 1P8 CANADA
416.588.1668
STUDIOMUNGE.COM

-SCALE	AS NOTED	-DATE	9/1/20
-DRAWN BY	CS	-CHECKED BY	
-PROJECT NAME	QUEEN'S MARQUE		
-DRAWING TITLE	FB-CG-07 PDR DINING TABLE		
-PROJECT NUMBER	17140		
-DRAWING NUMBER	3 / 6		

STUDIO MUNGE
E
F
D
C
B
A
Y

1 2 3 4 5 6

DRAWING ARE NOT TO BE SCALED. CONTRACTOR MUST CHECK AND VERIFY ALL JOB DIMENSIONS, DRAWINGS, DETAILS AND SPECIFICATIONS; AND REPORT ANY DISCREPANCIES TO DESIGNER BEFORE PROCEEDING WITH WORK.

-REV/	-ISSUED FOR	-DATE



STUDIO MUNGE
25 WINGOLD AVENUE
TORONTO, ONTARIO
M6B 1P8 CANADA
416.588.1668
STUDIOMUNGE.COM

-SCALE
AS NOTED

-DATE
9/1/20

-DRAWN BY
RC

-CHECKED BY

-PROJECT NAME

QUEEN'S MARQUE

-DRAWING TITLE

FB-CG-07
PDR DINING TABLE

-PROJECT NUMBER
17140

-DRAWING NUMBER
4 / 6

5 | FB-CG-07 | PDR DINING TABLE
1:10 | RENDERED VIEW

1 2 3 4 5 6

STUDIO MUNGE
E
F
D
C
B
A
Y

1 2 3 4 5 6

1 2 3 4 5 6



DRAWING ARE NOT TO BE SCALED. CONTRACTOR MUST CHECK AND VERIFY ALL JOB DIMENSIONS, DRAWINGS, DETAILS AND SPECIFICATIONS; AND REPORT ANY DISCREPANCIES TO DESIGNER BEFORE PROCEEDING WITH WORK.

-REV/	-ISSUED FOR	-DATE

STUDIO MUNGE
25 WINGOLD AVENUE
TORONTO, ONTARIO
M6B 1P8 CANADA
416.588.1668
STUDIOMUNGE.COM

-SCALE
AS NOTED

-DATE
9/1/20

-DRAWN BY
RC

-CHECKED BY

-PROJECT NAME

QUEEN'S MARQUE

-DRAWING TITLE

FB-CG-07
PDR DINING TABLE

-PROJECT NUMBER
17140

-DRAWING NUMBER
5 / 6

6 | FB-CG-07 | PDR DINING TABLE
1:10 | RENDERED VIEW

STUDIO MUNGE
E
F
D
C
B
A
Y



DRAWING ARE NOT TO BE SCALED. CONTRACTOR MUST CHECK AND VERIFY ALL JOB DIMENSIONS, DRAWINGS, DETAILS AND SPECIFICATIONS; AND REPORT ANY DISCREPANCIES TO DESIGNER BEFORE PROCEEDING WITH WORK.

-REV/	-ISSUED FOR	-DATE

STUDIO MUNGE
25 WINGOLD AVENUE
TORONTO, ONTARIO
M6B 1P8 CANADA
416.588.1668
STUDIOMUNGE.COM

-SCALE
AS NOTED

-DATE
9/1/20

-DRAWN BY
RC

-CHECKED BY

-PROJECT NAME

QUEEN'S MARQUE

-DRAWING TITLE

FB-CG-07
PDR DINING TABLE

-PROJECT NUMBER
17140

-DRAWING NUMBER
6 / 6

7 | FB-CG-07 | PDR DINING TABLE
1:10 | RENDERED VIEW