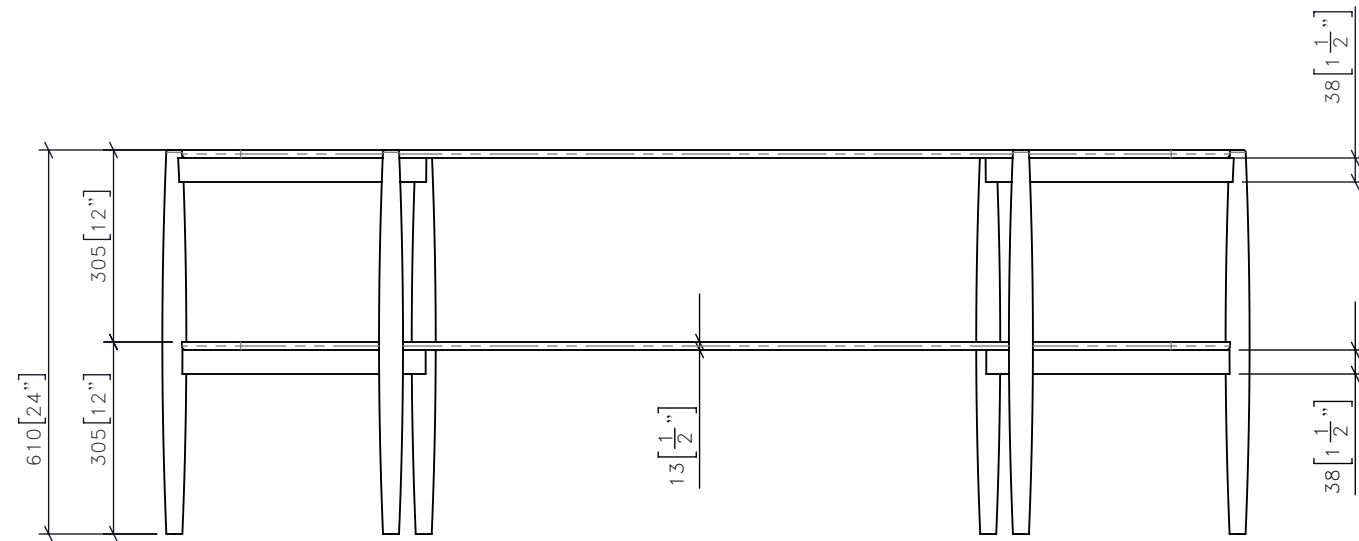


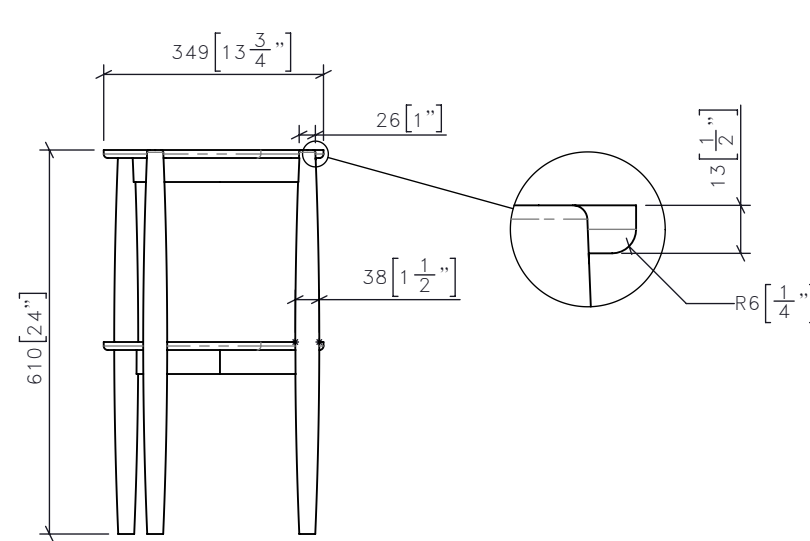
FOR DESIGN INTENT ONLY

DRAWING ARE NOT TO BE SCALED. CONTRACTOR MUST CHECK AND VERIFY ALL JOB DIMENSIONS, DRAWINGS, DETAILS AND SPECIFICATIONS; AND REPORT ANY DISCREPANCIES TO DESIGNER BEFORE PROCEEDING WITH WORK.

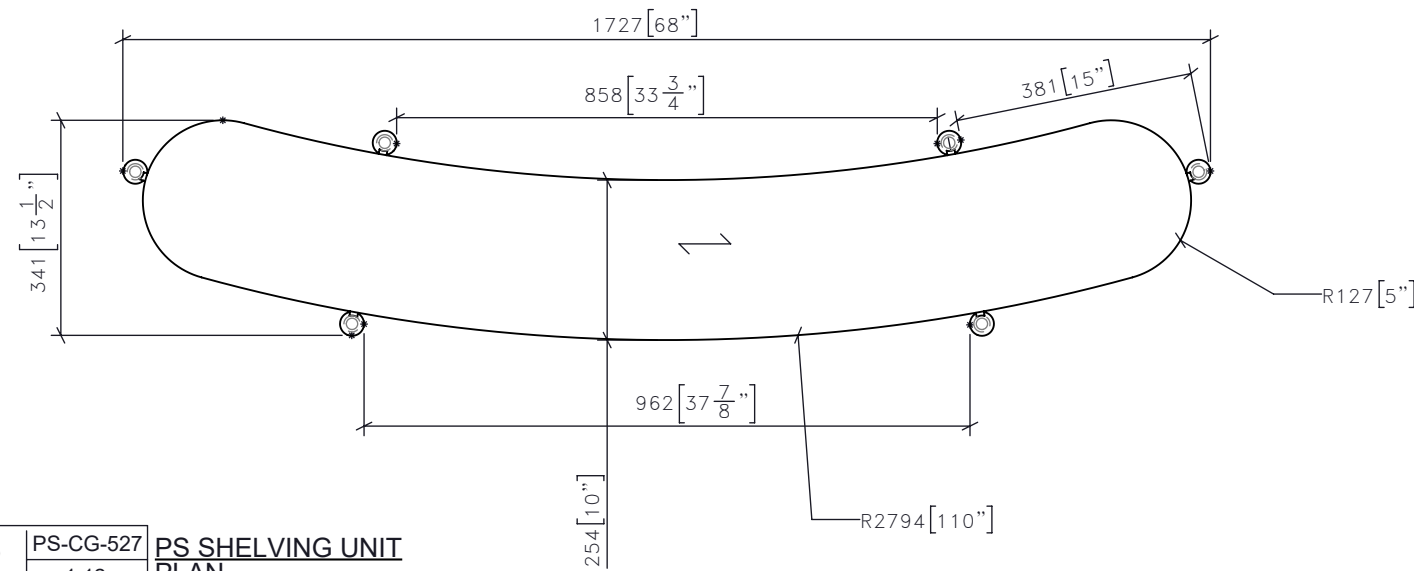
-REV/	-ISSUED FOR	-DATE



1 PS-CG-527 PS SHELIVING UNIT
1:12 FRONT ELEVATION



3 PS-CG-527 PS SHELIVING UNIT
1:12 SIDE ELEVATION



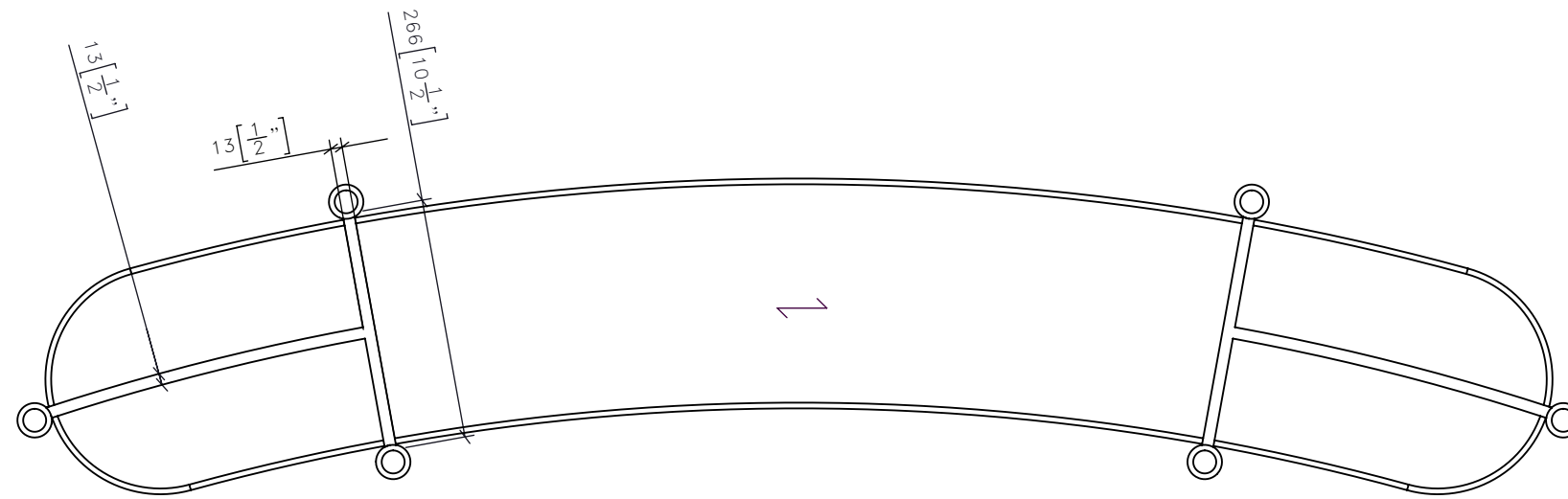
2 PS-CG-527 PS SHELIVING UNIT
1:12 PLAN

STUDIO MUNGE
25 WINGOLD AVENUE
TORONTO, ONTARIO
M6B 1P8 CANADA
416.588.1668
STUDIOMUNGE.COM

-SCALE AS NOTED	-DATE 6/11/20
-DRAWN BY RC	-CHECKED BY
-PROJECT NAME QUEEN'S MARQUE	
-DRAWING TITLE PS-CG-527 PS SHELIVING UNIT	
-PROJECT NUMBER 17140	
-DRAWING NUMBER 1 / 3	

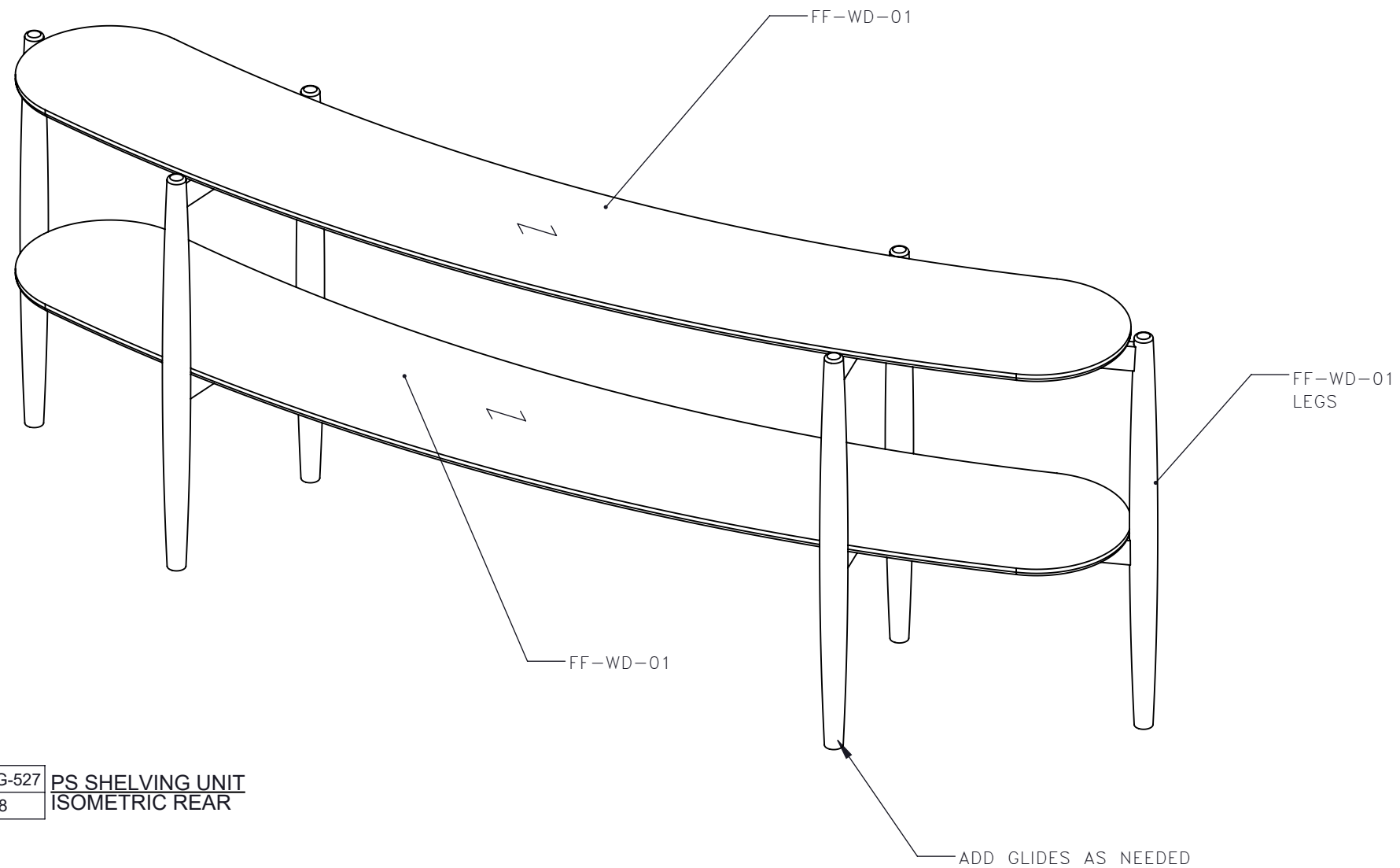
FOR DESIGN INTENT ONLY

DRAWING ARE NOT TO BE SCALED. CONTRACTOR MUST CHECK AND VERIFY ALL JOB DIMENSIONS, DRAWINGS, DETAILS AND SPECIFICATIONS; AND REPORT ANY DISCREPANCIES TO DESIGNER BEFORE PROCEEDING WITH WORK.



-REV/	-ISSUED FOR	-DATE

4 PS-CG-527 PS SHELVING UNIT
1:8 BOTTOM VIEW



5 PS-CG-527 PS SHELVING UNIT
1:8 ISOMETRIC REAR

STUDIO MUNGE
25 WINGOLD AVENUE
TORONTO, ONTARIO
M6B 1P8 CANADA
416.588.1668
STUDIOMUNGE.COM

-SCALE AS NOTED	-DATE 6/11/20
-DRAWN BY RC	-CHECKED BY
-PROJECT NAME QUEEN'S MARQUE	
-DRAWING TITLE PS-CG-527 PS SHELVING UNIT	
-PROJECT NUMBER 17140	
-DRAWING NUMBER 2 / 3	

Y
E
F
D
C
B
A
Y

FOR DESIGN INTENT ONLY

DRAWING ARE NOT TO BE SCALED. CONTRACTOR MUST CHECK AND VERIFY ALL JOB DIMENSIONS, DRAWINGS, DETAILS AND SPECIFICATIONS; AND REPORT ANY DISCREPANCIES TO DESIGNER BEFORE PROCEEDING WITH WORK.

-REV/	-ISSUED FOR	-DATE



STUDIO MUNGE
 25 WINGOLD AVENUE
 TORONTO, ONTARIO
 M6B 1P8 CANADA
 416.588.1668
 STUDIOMUNGE.COM

-SCALE
AS NOTED

-DATE
6/11/20

-DRAWN BY
RC

-CHECKED BY

-PROJECT NAME

 QUEEN'S MARQUE

-DRAWING TITLE

 PS-CG-527
 PS SHELVING UNIT

-PROJECT NUMBER
17140

-DRAWING NUMBER
3 / 3

4 | PS-CG-527 | PS SHELVING UNIT
 1:8 | BOTTOM VIEW