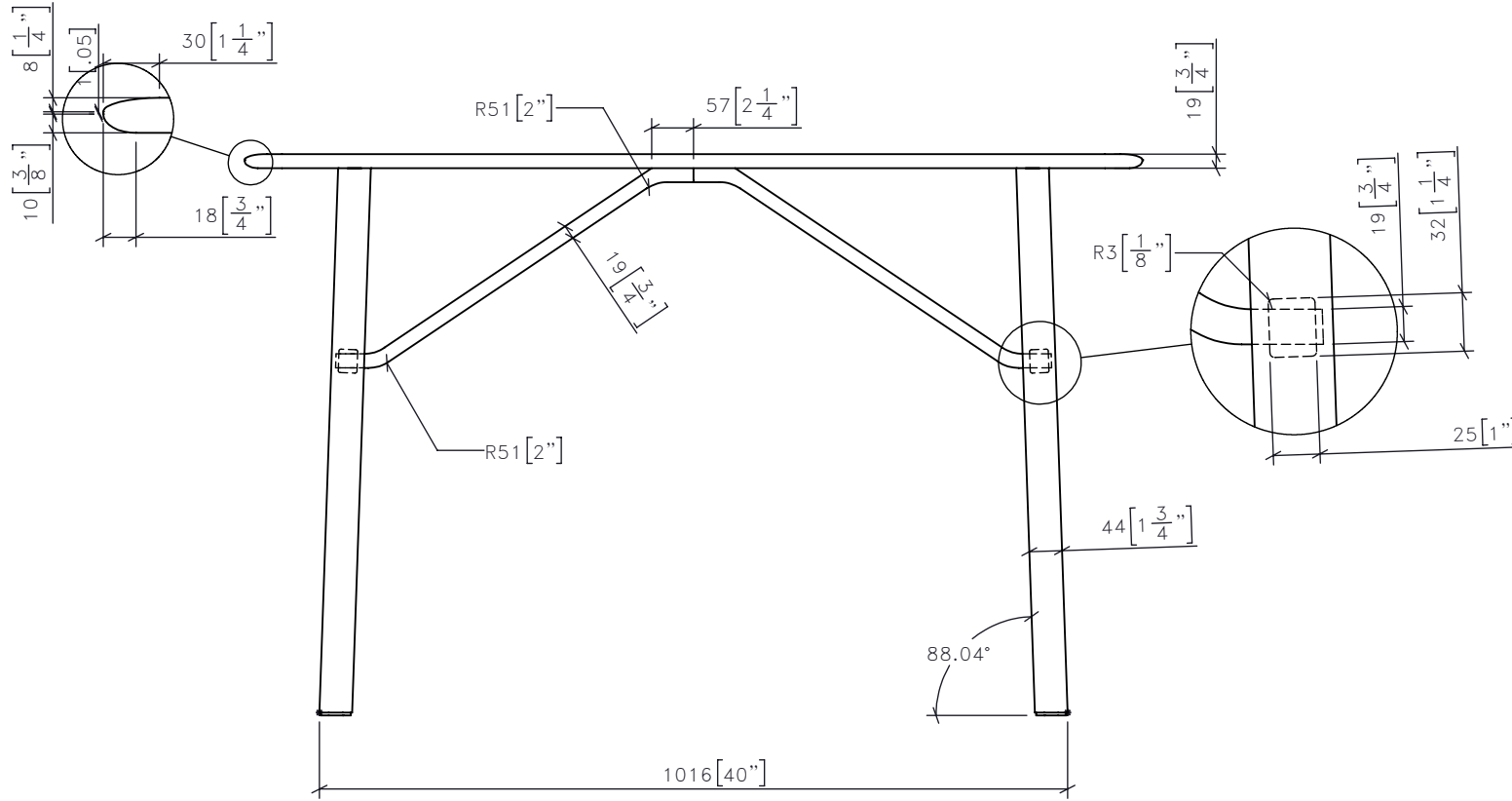
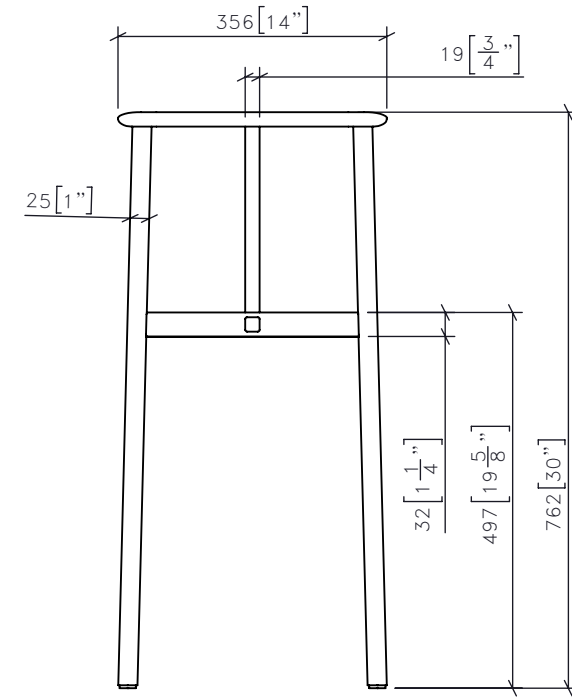


FOR DESIGN INTENT ONLY

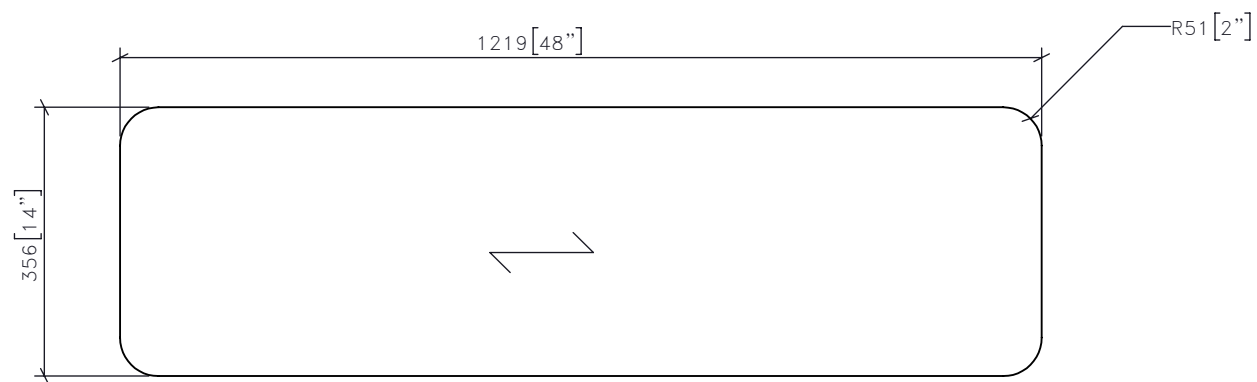
DRAWING ARE NOT TO BE SCALED. CONTRACTOR MUST CHECK AND VERIFY ALL JOB DIMENSIONS, DRAWINGS, DETAILS AND SPECIFICATIONS; AND REPORT ANY DISCREPANCIES TO DESIGNER BEFORE PROCEEDING WITH WORK.



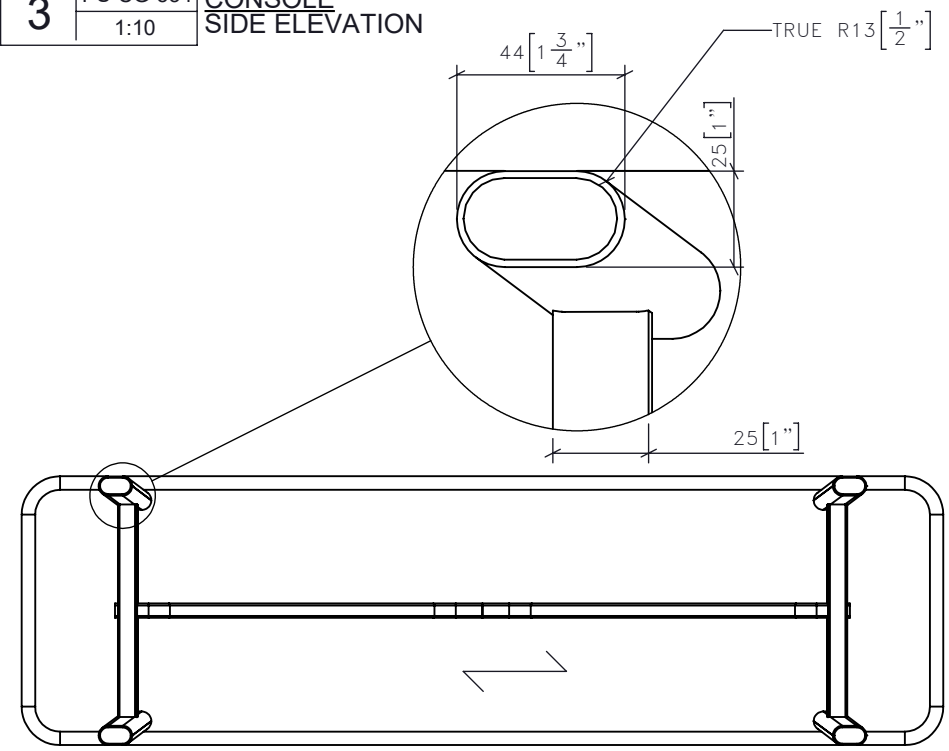
1 PS-CG-534 CONSOLE
1:10 FRONT ELEVATION



3 PS-CG-534 CONSOLE
1:10 SIDE ELEVATION



2 PS-CG-534 CONSOLE
1:10 PLAN



4 PS-CG-534 CONSOLE
1:10 Drawing View14

-REV/	-ISSUED FOR	-DATE

STUDIO MUNGE
25 WINGOLD AVENUE
TORONTO, ONTARIO
M6B 1P8 CANADA
416.588.1668
STUDIOMUNGE.COM

-SCALE AS NOTED
-DATE 2020-06-15

-DRAWN BY RC
-CHECKED BY

-PROJECT NAME

QUEEN'S MARQUE

-DRAWING TITLE

PS-CG-534
CONSOLE

-PROJECT NUMBER 17140

-DRAWING NUMBER 1 / 3

*PLEASE ENSURE STABILITY

STUDIO MUNGE

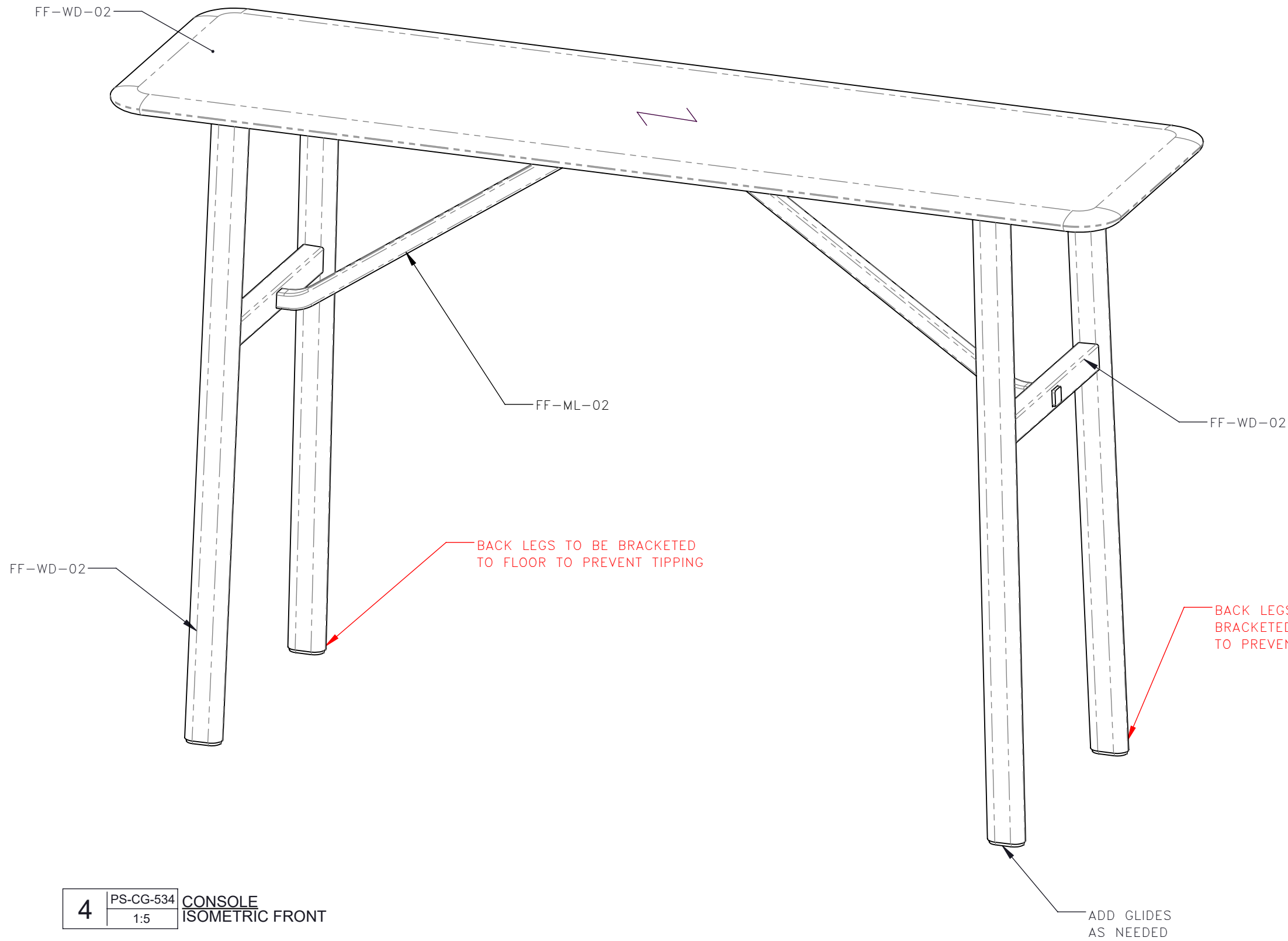
FOR DESIGN INTENT ONLY

DRAWING ARE NOT TO BE SCALED. CONTRACTOR MUST CHECK AND VERIFY ALL JOB DIMENSIONS, DRAWINGS, DETAILS AND SPECIFICATIONS; AND REPORT ANY DISCREPANCIES TO DESIGNER BEFORE PROCEEDING WITH WORK.

-REV/	-ISSUED FOR	-DATE

STUDIO MUNGE
 25 WINGOLD AVENUE
 TORONTO, ONTARIO
 M6B 1P8 CANADA
 416.588.1668
 STUDIOMUNGE.COM

-SCALE AS NOTED	-DATE 2020-06-15
-DRAWN BY RC	-CHECKED BY
-PROJECT NAME	
QUEEN'S MARQUE	
-DRAWING TITLE	
PS-CG-534 CONSOLE	
-PROJECT NUMBER	
17140	
-DRAWING NUMBER	
2 / 3	



4 | PS-CG-534 | **CONSOLE**
 1:5 | **ISOMETRIC FRONT**

STUDIO MUNGE
E
F
D
C
B
A
Y

FOR DESIGN INTENT ONLY

DRAWING ARE NOT TO BE SCALED. CONTRACTOR MUST CHECK AND VERIFY ALL JOB DIMENSIONS, DRAWINGS, DETAILS AND SPECIFICATIONS; AND REPORT ANY DISCREPANCIES TO DESIGNER BEFORE PROCEEDING WITH WORK.

-REV/	-ISSUED FOR	-DATE



STUDIO MUNGE
25 WINGOLD AVENUE
TORONTO, ONTARIO
M6B 1P8 CANADA
416.588.1668
STUDIOMUNGE.COM

-SCALE
AS NOTED

-DATE
2020-06-15

-DRAWN BY
RC

-CHECKED BY

-PROJECT NAME

QUEEN'S MARQUE

-DRAWING TITLE

PS-CG-534
CONSOLE

-PROJECT NUMBER

17140

-DRAWING NUMBER

3 / 3

4 | PS-CG-534 | CONSOLE
1:5 | Drawing View18