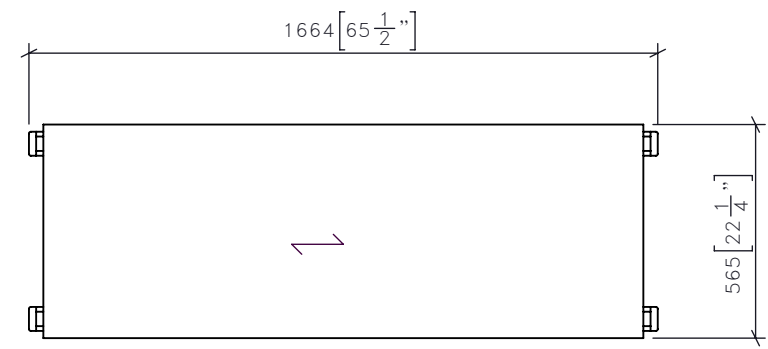
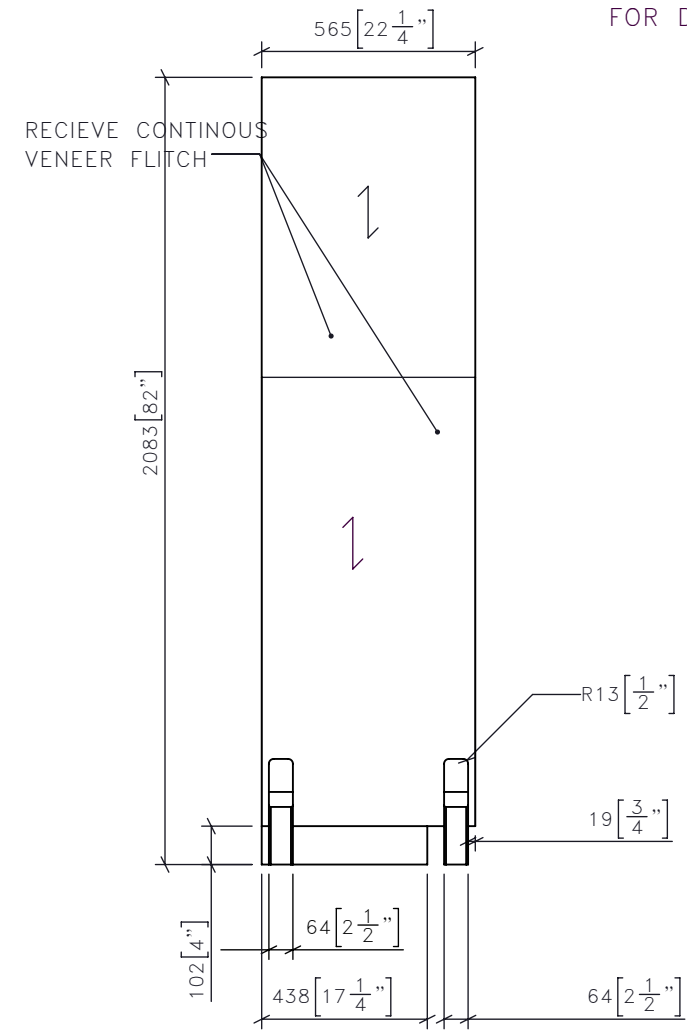


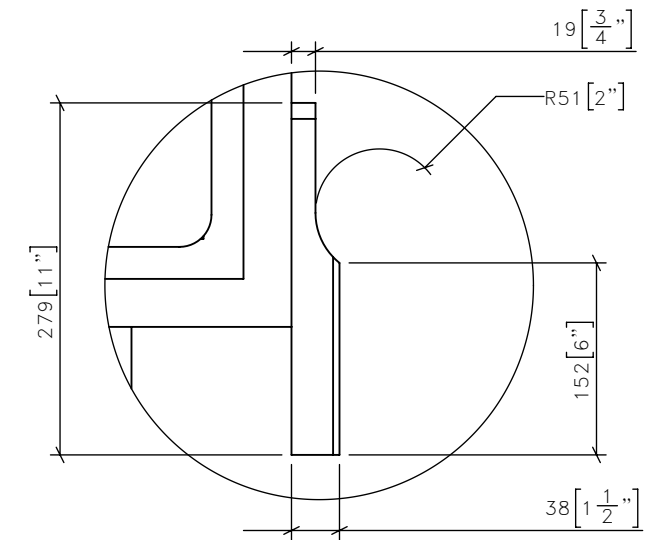
1 PS-CG-533 DISPLAY CABINET FRONT ELEVATION
1:20



2 PS-CG-533 DISPLAY CABINET PLAN
1:20



3 PS-CG-533 DISPLAY CABINET SIDE ELEVATION
1:20



DETAIL A
SCALE 1 : 6

NOTE: 3MM ROUND OVER ON ALL WOOD EDGES
ALL WELDS TO BE GRIDED FLUSH
EASE ALL METAL EDGES

FOR DESIGN INTENT ONLY

DRAWING ARE NOT TO BE SCALED. CONTRACTOR MUST CHECK AND VERIFY ALL JOB DIMENSIONS, DRAWINGS, DETAILS AND SPECIFICATIONS; AND REPORT ANY DISCREPANCIES TO DESIGNER BEFORE PROCEEDING WITH WORK.

-REV/	-ISSUED FOR	-DATE

STUDIO MUNGE
25 WINGOLD AVENUE
TORONTO, ONTARIO
M6B 1P8 CANADA
416.588.1668
STUDIOMUNGE.COM

-SCALE AS NOTED
-DATE 6/17/20

-DRAWN BY RC
-CHECKED BY

-PROJECT NAME

QUEEN'S MARQUE

-DRAWING TITLE

PS-CG-533
DISPLAY CABINET

-PROJECT NUMBER
17140

-DRAWING NUMBER
1 / 4

STUDIO MUNGE

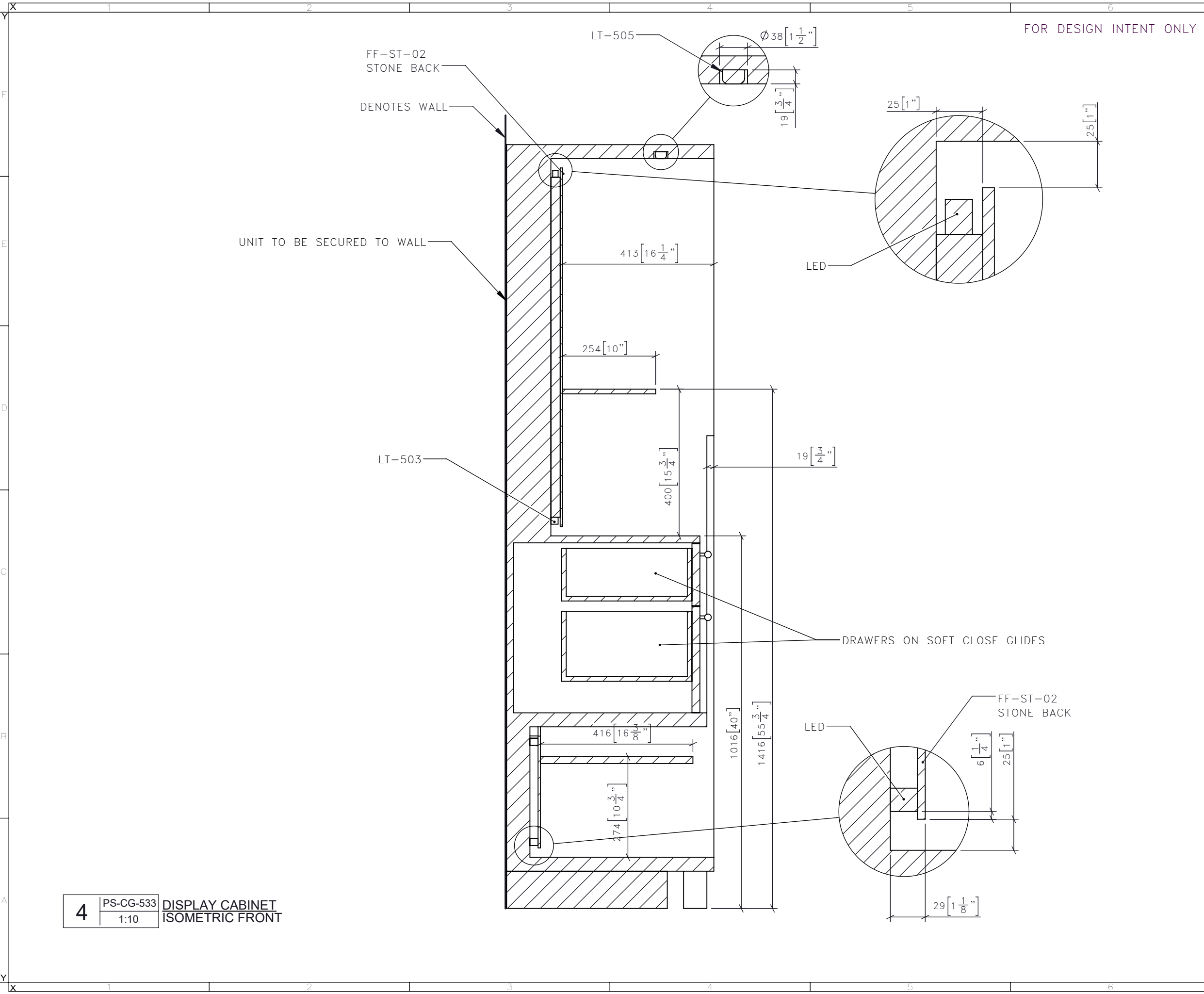
F

D

C

B

A



FOR DESIGN INTENT ONLY

DRAWING ARE NOT TO BE SCALED. CONTRACTOR MUST CHECK AND VERIFY ALL JOB DIMENSIONS, DRAWINGS, DETAILS AND SPECIFICATIONS; AND REPORT ANY DISCREPANCIES TO DESIGNER BEFORE PROCEEDING WITH WORK.

-REV/	-ISSUED FOR	-DATE

**STUDIO
MUNGE**

25 WINGOLD AVENUE
TORONTO, ONTARIO
M6B 1P8 CANADA
416.588.1668
STUDIOMUNGE.COM

-SCALE
AS NOTED

-DATE
6/17/20

-DRAWN BY
RC

-CHECKED BY

-PROJECT NAME

QUEEN'S MARQUE

-DRAWING TITLE

PS-CG-533
DISPLAY CABINET

-PROJECT NUMBER
17140

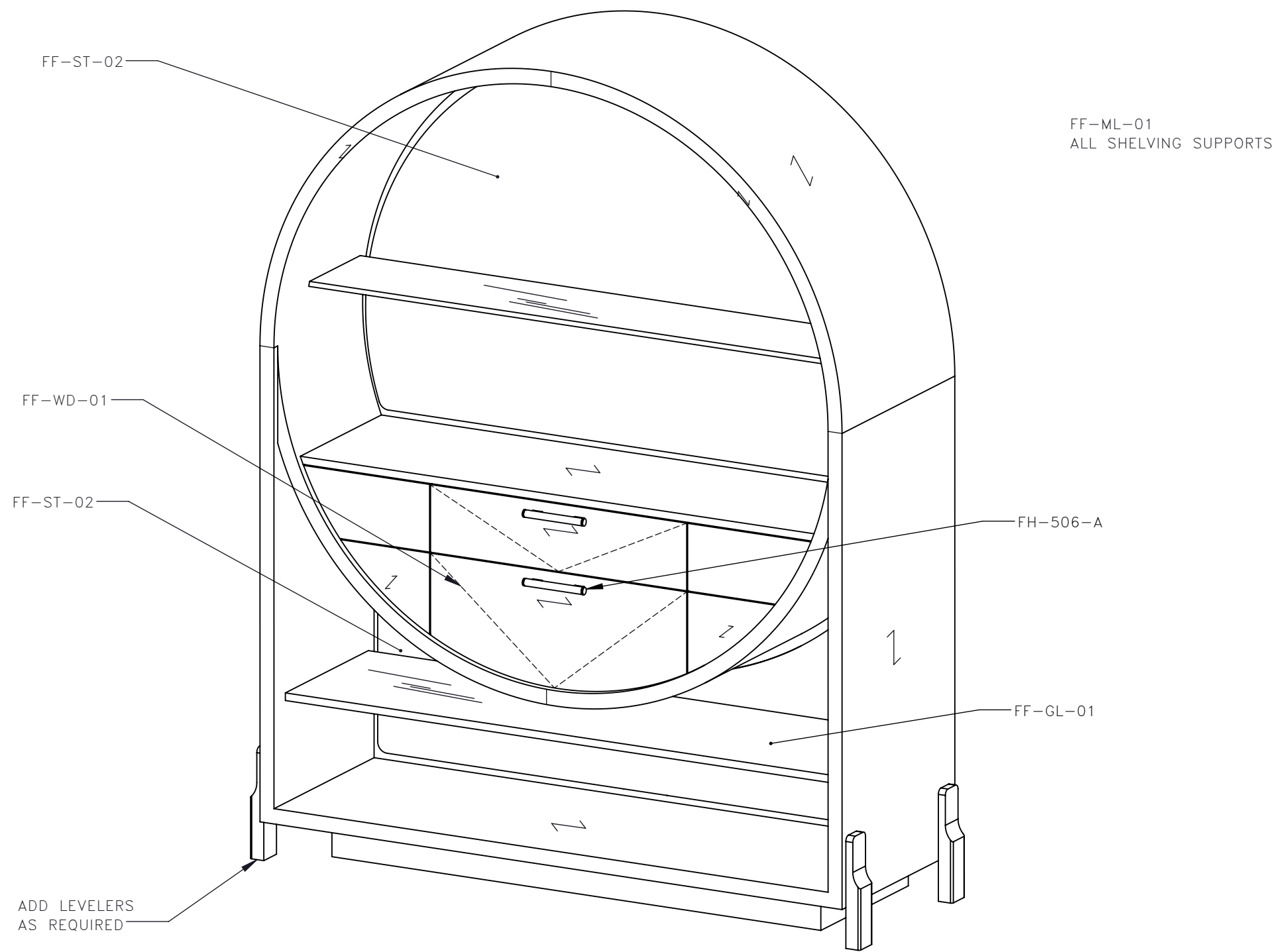
-DRAWING NUMBER
2 / 4

4 | PS-CG-533 | **DISPLAY CABINET**
1:10 | **ISOMETRIC FRONT**

STUDIO MUNGE

FOR DESIGN INTENT ONLY

DRAWING ARE NOT TO BE SCALED. CONTRACTOR MUST CHECK AND VERIFY ALL JOB DIMENSIONS, DRAWINGS, DETAILS AND SPECIFICATIONS; AND REPORT ANY DISCREPANCIES TO DESIGNER BEFORE PROCEEDING WITH WORK.



REV	ISSUED FOR	DATE

STUDIO MUNGE
 25 WINGOLD AVENUE
 TORONTO, ONTARIO
 M6B 1P8 CANADA
 416.588.1668
 STUDIOMUNGE.COM

-SCALE AS NOTED	-DATE 6/17/20
-DRAWN BY RC	-CHECKED BY
-PROJECT NAME QUEEN'S MARQUE	
-DRAWING TITLE PS-CG-533 DISPLAY CABINET	
-PROJECT NUMBER 17140	
-DRAWING NUMBER 3 / 4	

5 | PS-CG-533 | **DISPLAY CABINET**
 1:12 | ISOMETRIC VIEW

STUDIO MUNGE
E
F
D
C
B
A
Y

FOR DESIGN INTENT ONLY

DRAWING ARE NOT TO BE SCALED. CONTRACTOR MUST CHECK AND VERIFY ALL JOB DIMENSIONS, DRAWINGS, DETAILS AND SPECIFICATIONS; AND REPORT ANY DISCREPANCIES TO DESIGNER BEFORE PROCEEDING WITH WORK.

-REV/	-ISSUED FOR	-DATE



**STUDIO
MUNGE**
25 WINGOLD AVENUE
TORONTO, ONTARIO
M6B 1P8 CANADA
416.588.1668
STUDIOMUNGE.COM

-SCALE
AS NOTED

-DATE
6/17/20

-DRAWN BY
RC

-CHECKED BY

-PROJECT NAME

QUEEN'S MARQUE

-DRAWING TITLE

PS-CG-533
DISPLAY CABINET

-PROJECT NUMBER
17140

-DRAWING NUMBER
4 / 4

6 | PS-CG-533 | **DISPLAY CABINET**
1:12 | **RENDERED VIEW**