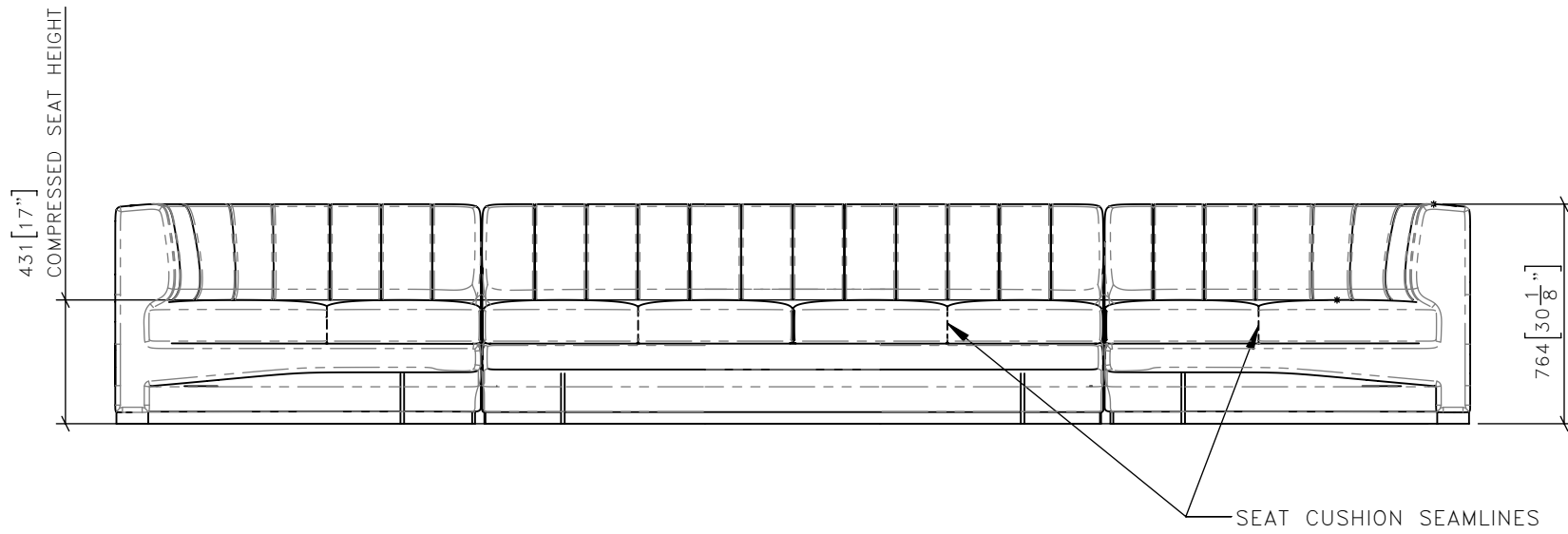


FOR DESIGN INTENT ONLY

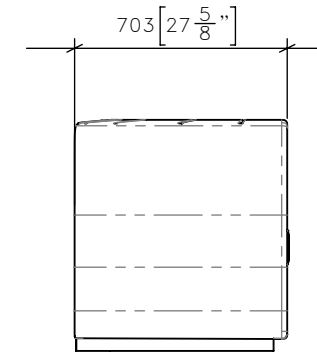
DRAWING ARE NOT TO BE SCALED. CONTRACTOR MUST CHECK AND VERIFY ALL JOB DIMENSIONS, DRAWINGS, DETAILS AND SPECIFICATIONS; AND REPORT ANY DISCREPANCIES TO DESIGNER BEFORE PROCEEDING WITH WORK.

-REV/	-ISSUED FOR	-DATE

VARIATION SHOWN ON THIS PAGE:
L3-SG-03 C



1 L3-SG-03 A,B,C,D **BANQUETTES**
1:25 **FRONT ELEVATION**



3 L3-SG-03 A,B,C,D **BANQUETTES**
1:25 **SIDE ELEVATION**

STUDIO MUNGE
25 WINGOLD AVENUE
TORONTO, ONTARIO
M6B 1P8 CANADA
416.588.1668
STUDIOMUNGE.COM

-SCALE AS NOTED **-DATE** 7/13/20

-DRAWN BY RC **-CHECKED BY**

-PROJECT NAME

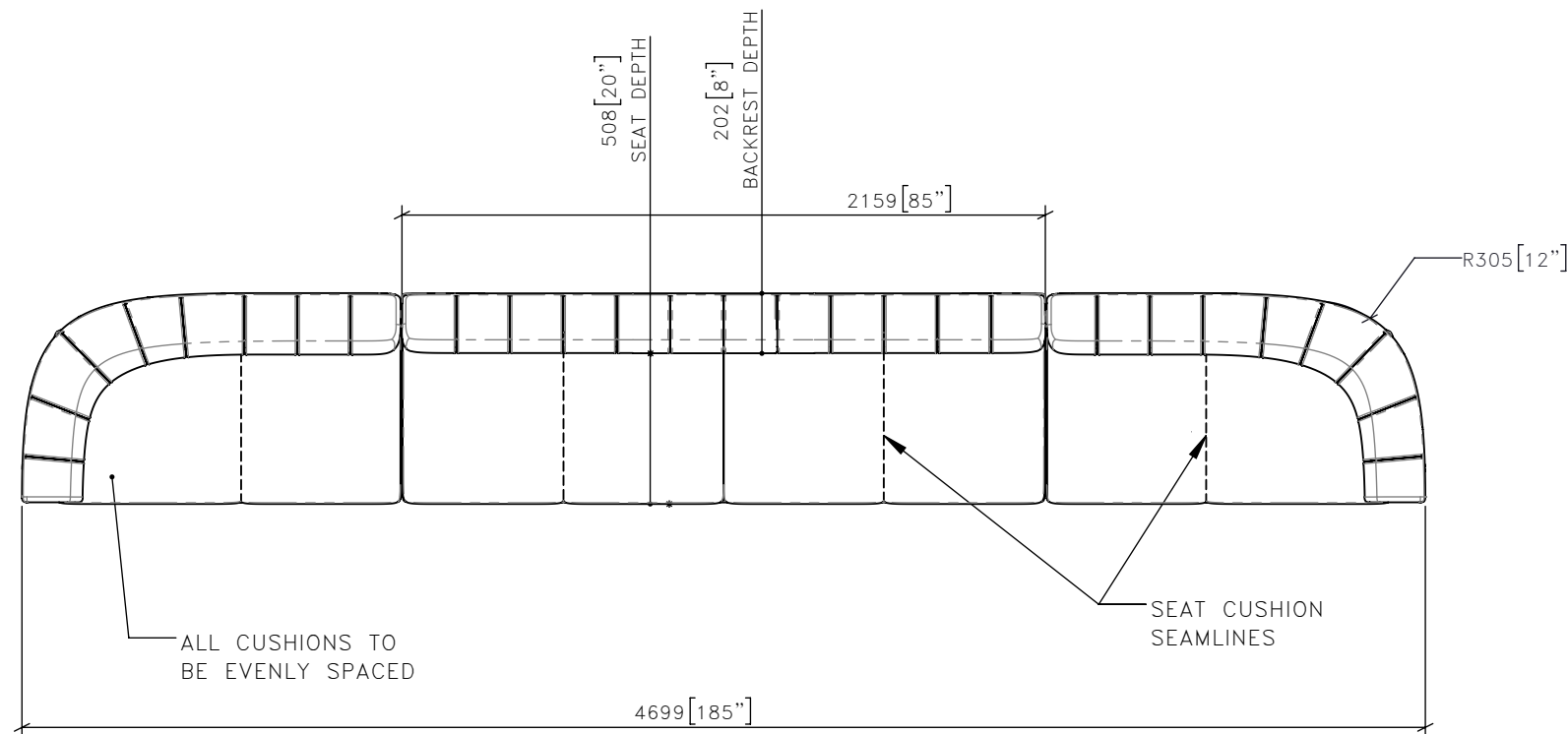
QUEEN'S MARQUE

-DRAWING TITLE

L3-SG-03 A,B,C,D
BANQUETTES

-PROJECT NUMBER
17140

-DRAWING NUMBER
1 / 5



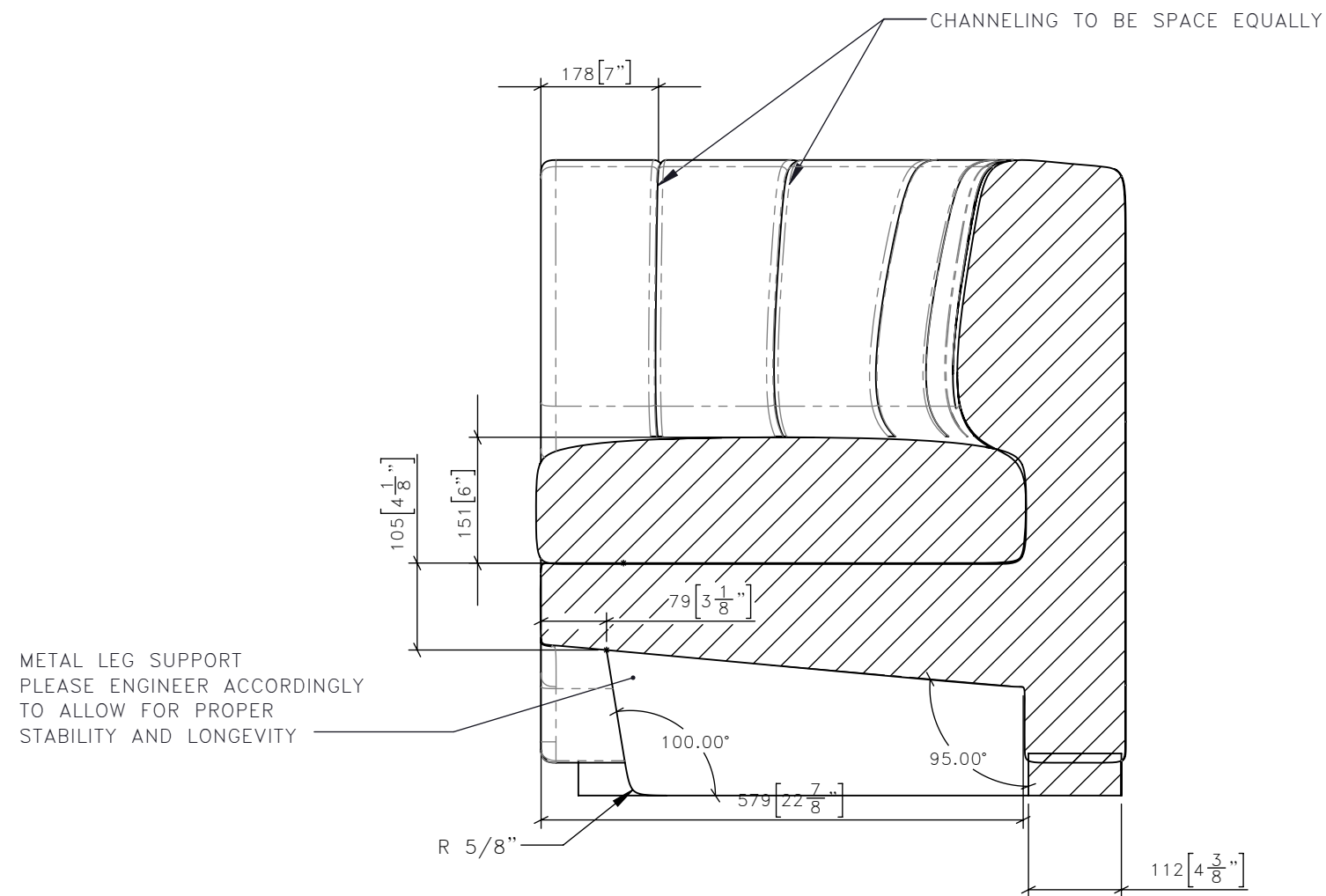
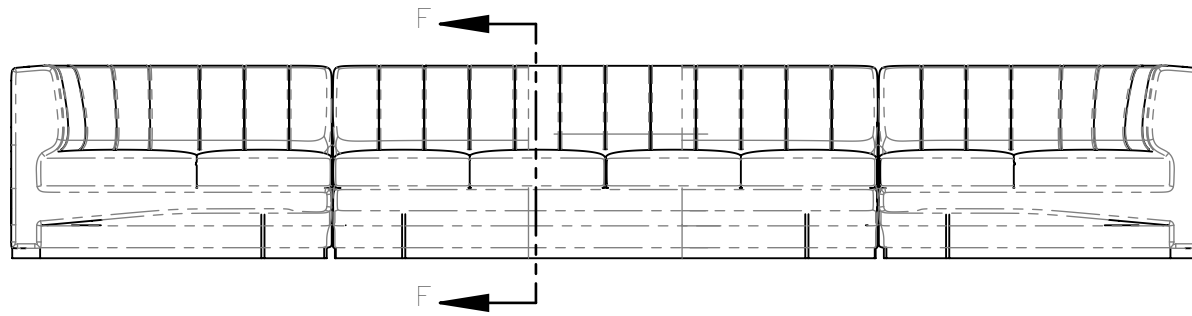
2 L3-SG-03 A,B,C,D **BANQUETTES**
1:25 **PLAN**

STUDIO MUNGE

FOR DESIGN INTENT ONLY

DRAWING ARE NOT TO BE SCALED. CONTRACTOR MUST CHECK AND VERIFY ALL JOB DIMENSIONS, DRAWINGS, DETAILS AND SPECIFICATIONS; AND REPORT ANY DISCREPANCIES TO DESIGNER BEFORE PROCEEDING WITH WORK.

VARIATION SHOWN ON THIS PAGE:
L3-SG-03 C



-REV/	-ISSUED FOR	-DATE

**STUDIO
MUNGE**

25 WINGOLD AVENUE
TORONTO, ONTARIO
M6B 1P8 CANADA
416.588.1668
STUDIOMUNGE.COM

-SCALE AS NOTED	-DATE 7/13/20
-DRAWN BY RC	-CHECKED BY
-PROJECT NAME QUEEN'S MARQUE	
-DRAWING TITLE L3-SG-03 A,B,C,D BANQUETTES	
-PROJECT NUMBER 17140	
-DRAWING NUMBER 2 / 5	

4 | L3-SG-03 A,B,C,D | **BANQUETTES**
1:8 | SECTION

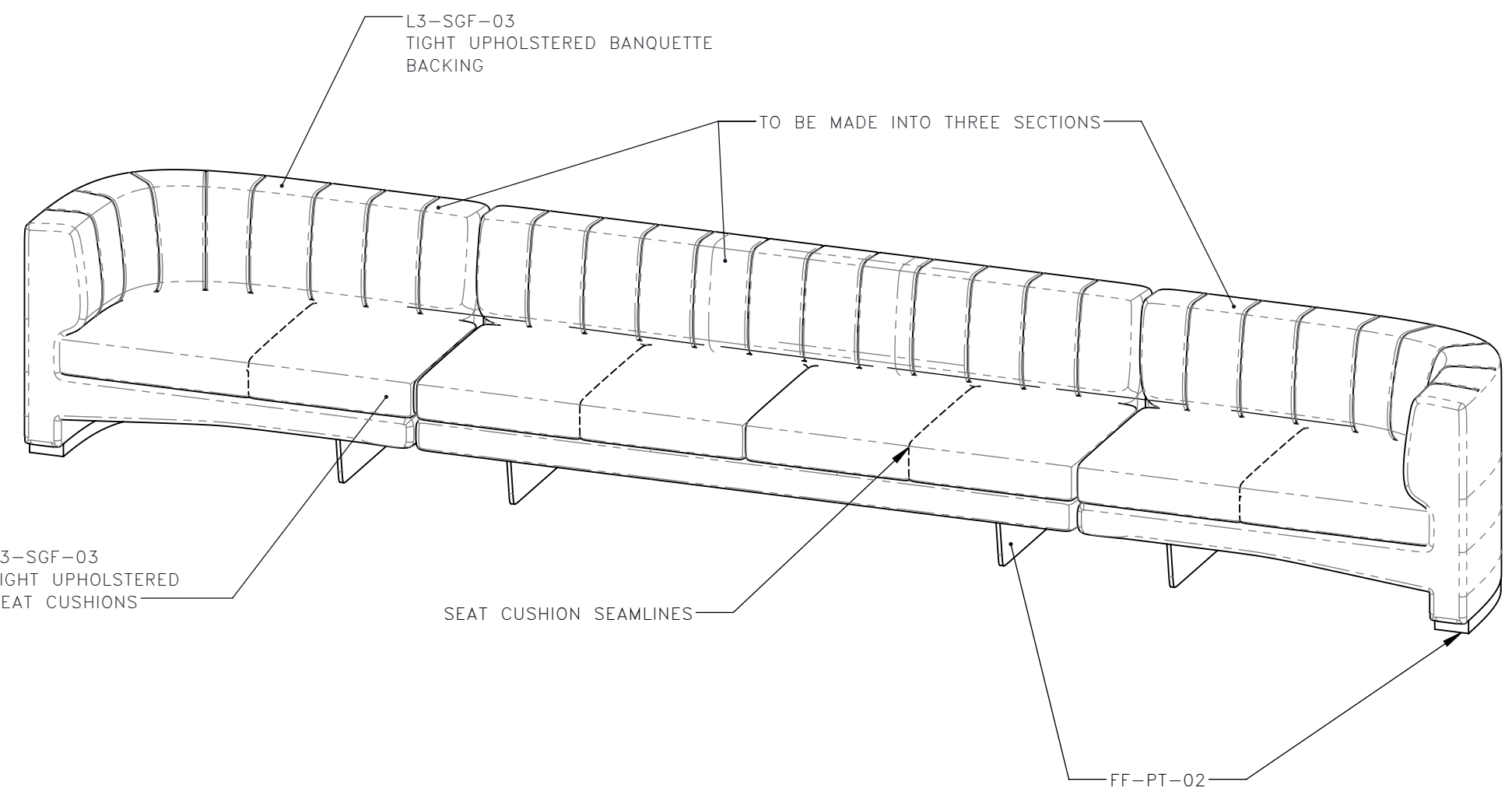
STUDIO MUNGE

FOR DESIGN INTENT ONLY

DRAWING ARE NOT TO BE SCALED. CONTRACTOR MUST CHECK AND VERIFY ALL JOB DIMENSIONS, DRAWINGS, DETAILS AND SPECIFICATIONS; AND REPORT ANY DISCREPANCIES TO DESIGNER BEFORE PROCEEDING WITH WORK.

VARIATION SHOWN ON THIS PAGE:
L3-SG-03 C

-REV/	-ISSUED FOR	-DATE



STUDIO MUNGE
 25 WINGOLD AVENUE
 TORONTO, ONTARIO
 M6B 1P8 CANADA
 416.588.1668
 STUDIOMUNGE.COM

5 | L3-SG-03 A,B,C,D | **BANQUETTES**
 1:18 | **ISOMETRIC FRONT**

-SCALE AS NOTED	-DATE 7/13/20
-DRAWN BY RC	-CHECKED BY
-PROJECT NAME QUEEN'S MARQUE	
-DRAWING TITLE L3-SG-03 A,B,C,D BANQUETTES	
-PROJECT NUMBER 17140	
-DRAWING NUMBER 3 / 5	

STUDIO MUNGE
E
F
D
C
B
A
Y

VARIATION SHOWN ON THIS PAGE:
L3-SG-03 C

FOR DESIGN INTENT ONLY

DRAWING ARE NOT TO BE SCALED. CONTRACTOR MUST CHECK AND VERIFY ALL JOB DIMENSIONS, DRAWINGS, DETAILS AND SPECIFICATIONS; AND REPORT ANY DISCREPANCIES TO DESIGNER BEFORE PROCEEDING WITH WORK.

-REV/	-ISSUED FOR	-DATE

STUDIO MUNGE
25 WINGOLD AVENUE
TORONTO, ONTARIO
M6B 1P8 CANADA
416.588.1668
STUDIOMUNGE.COM



-SCALE
AS NOTED

-DATE
7/13/20

-DRAWN BY
RC

-CHECKED BY

-PROJECT NAME

QUEEN'S MARQUE

-DRAWING TITLE

L3-SG-03 A,B,C,D
BANQUETTES

-PROJECT NUMBER

17140

-DRAWING NUMBER

4 / 5

6	L3-SG-03 A,B,C,D	BANQUETTES
	1:18	RENDERED VIEW

STUDIO MUNGE

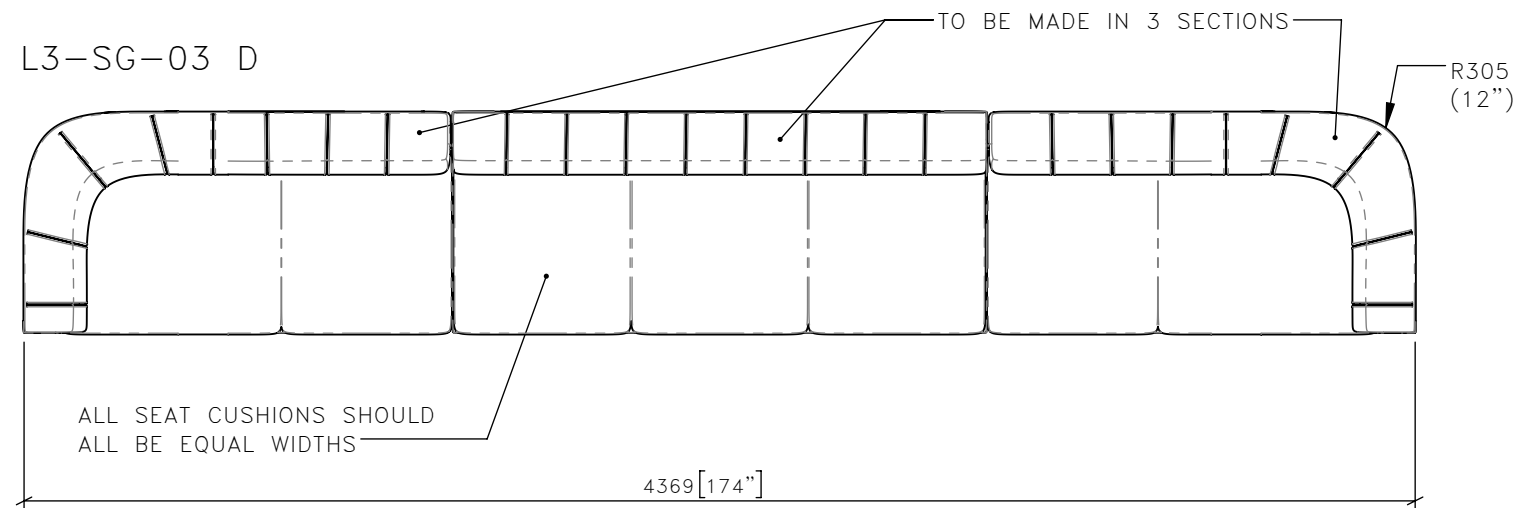
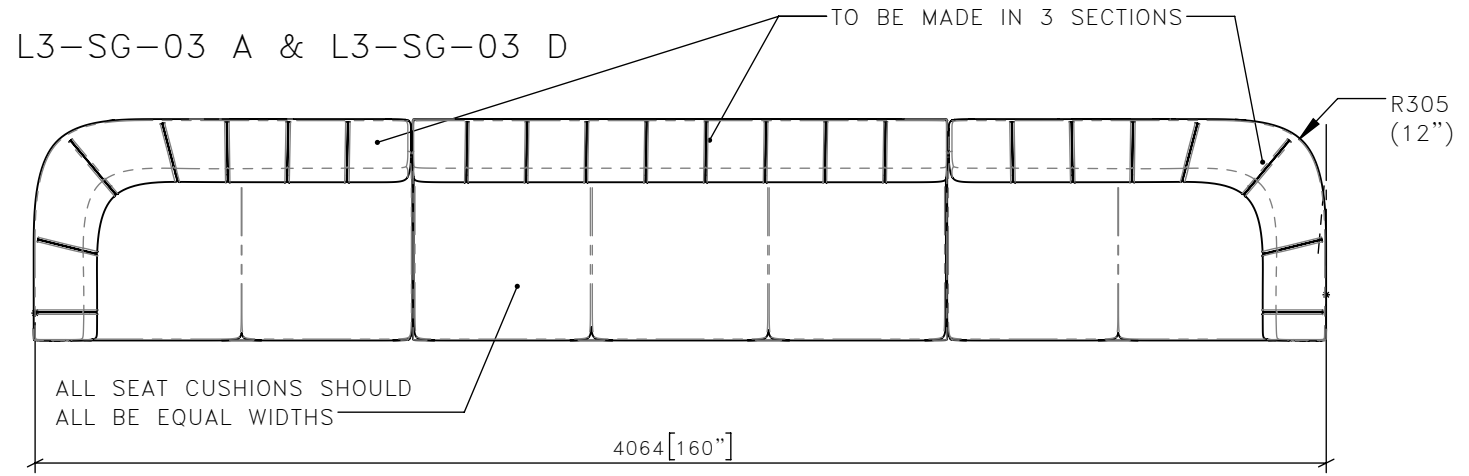
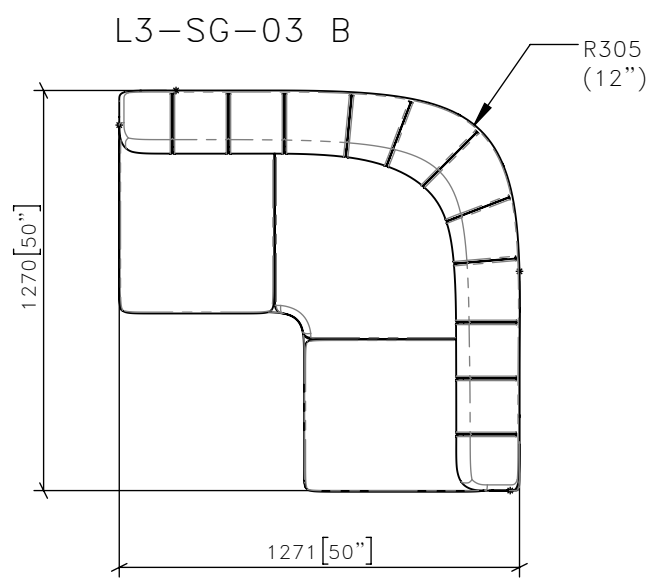
VARIATIONS SHOWN ON THIS PAGE: L3-SG-03 A, L3-SG-03 B, L3-SG-03 D, L3-SG-03 E

FOR DESIGN INTENT ONLY

-ALL DIEMNSIONS ARE TO MATCH L3-SG-03 B UNLESS OTHERWISE NOTED
-ALL DIMENSIONS ON THIS PAGE TO BE SITE VERIFIED

DRAWING ARE NOT TO BE SCALED. CONTRACTOR MUST CHECK AND VERIFY ALL JOB DIMENSIONS, DRAWINGS, DETAILS AND SPECIFICATIONS; AND REPORT ANY DISCREPANCIES TO DESIGNER BEFORE PROCEEDING WITH WORK.

-REV/	-ISSUED FOR	-DATE



STUDIO MUNGE
 25 WINGOLD AVENUE
 TORONTO, ONTARIO
 M6B 1P8 CANADA
 416.588.1668
 STUDIOMUNGE.COM

-SCALE AS NOTED	-DATE 7/13/20
-DRAWN BY RC	-CHECKED BY
-PROJECT NAME QUEEN'S MARQUE	
-DRAWING TITLE L3-SG-03 A,B,C,D BANQUETTES	
-PROJECT NUMBER 17140	
-DRAWING NUMBER 5 / 5	