

STUDIO MUNGE

SEATING INSTRUCTONS:

- ALL SEAMS TO BE BLIND UNLESS OTHERWISE SPECIFIED
- SUBMITTAL OF SHOP DRAWINGS, FINISH SAMPLES, AND/OR PROTOTYPE TO STUDIO MUNGE FOR REVIEW AND WRITTEN APPROVAL IS REQUIRED FOR ALL PIECES SUPPLIED BY INDICATED VENDOR OR OTHER.
- TO BE TIGHT UPHOLSTERED UNLESS OTHERWISE SPECIFIED
- DRAWINGS PROVIDED ARE FOR DESIGN INTENT ONLY
- PROVIDE CONTRACT QUALITY LOW PROFILE LEVELERS AS REQUIRED
- PROVIDE CONTRACT QUALITY LOW PROFILE GLIDES TO PROTECT FLOOR FROM SCRATCHING
- REFER TO DRAWINGS FOR DETAILS
- HARDWARE TO BE HIDDEN UNLESS OTHERWISE SPECIFIED
- HARDWARE TO BE REVIEWED AND APPROVED BY SM
- MANUFACTURER TO ENSURE NO ISSUE WITH SITE ACCESS AND CLEARANCE FOR DELIVERY AND INSTALLATION
- PURCHASING AGENT TO SUBMIT ALL NEW SUBSTITUTIONS TO STUDIO MUNGE FOR WRITTEN APPROVAL PRIOR TO MANUFACTURING AND PURCHASING

ACCESSORY CODE	DESCRIPTION
FB-AC-09A	18" X 18" PILLOW X 2 REFER TO CUTSHEET
FB-AC-09B	16" X 16" PILLOW X 1 REFER TO CUTSHEET
REQUIRED ITEM(S) FOR DESIGNER APPROVAL PRIOR TO FABRICATION	
<input type="checkbox"/> SEAMING DIAGRAM <input type="checkbox"/> SHOP DRAWINGS <input type="checkbox"/> PROTOTYPE <input type="checkbox"/> FINISH SAMPLE	

DRAWING ARE NOT TO BE SCALED. CONTRACTOR MUST CHECK AND VERIFY ALL JOB DIMENSIONS, DRAWINGS, DETAILS AND SPECIFICATIONS; AND REPORT ANY DISCREPANCIES TO DESIGNER BEFORE PROCEEDING WITH WORK.

-REV/	-ISSUED FOR	-DATE

STUDIO MUNGE

25 WINGOLD AVENUE
TORONTO, ONTARIO
M6B 1P8 CANADA
416.588.1668
STUDIOMUNGE.COM

MATERIAL INSTRUCTONS:

-MATERIALS TO BE OUTDOOR GRADE WHEN REQUIRED AND SPECIFIED IN DRAWINGS AND ORDER

MATERIAL CODE	DESCRIPTION	COLOR/FINISH
SGF-09	REFER TO FABRIC CUTSHEET	REFER TO FABRIC CUTSHEET
FF-WD-01	SOLID FLAT CUT WALNUT -FREE- OF KNOTS	REFER TO FINISH CUTSHEET

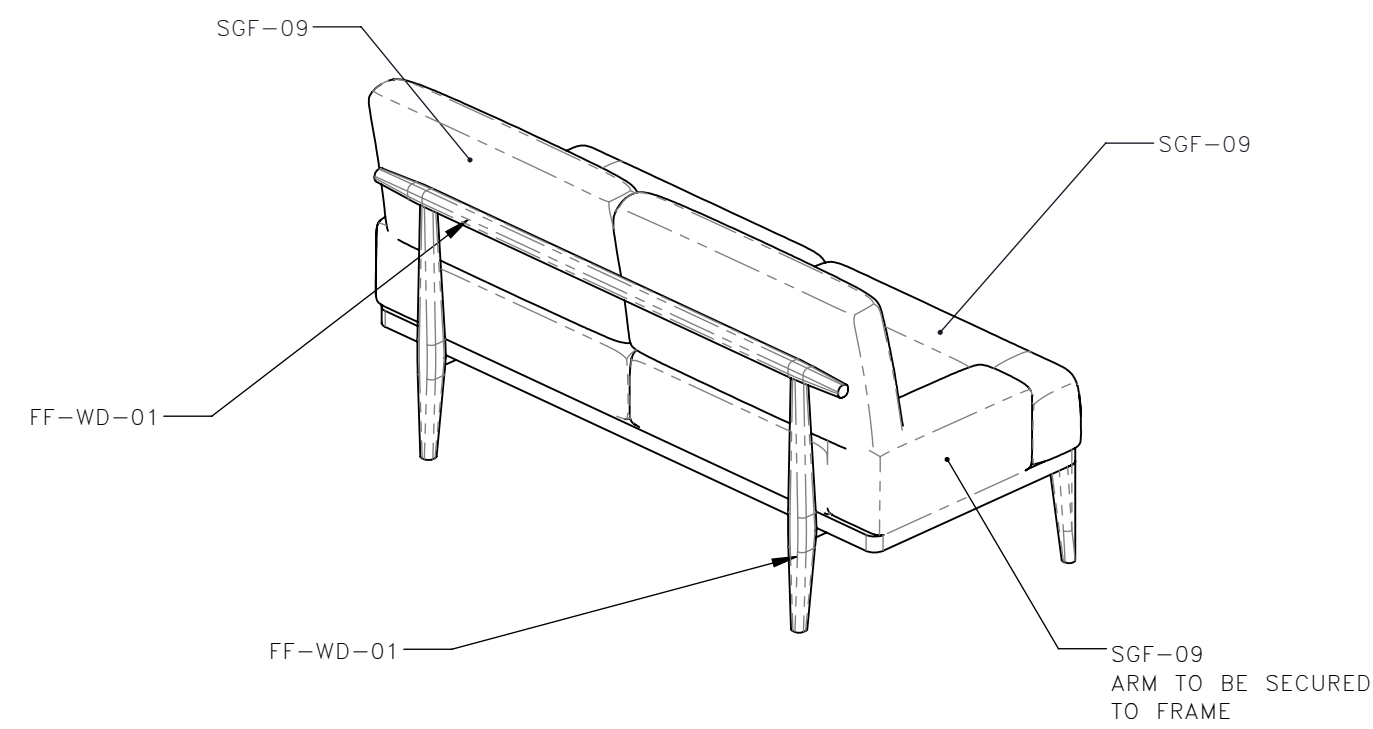


-SCALE AS NOTED	-DATE 2020-08-07
-DRAWN BY RC	-CHECKED BY
-PROJECT NAME	
QUEEN'S MARQUE	
-DRAWING TITLE	
FB-SG-09 LOUNGE SOFA	
-PROJECT NUMBER	
17140	
-DRAWING NUMBER	
1 / 6	

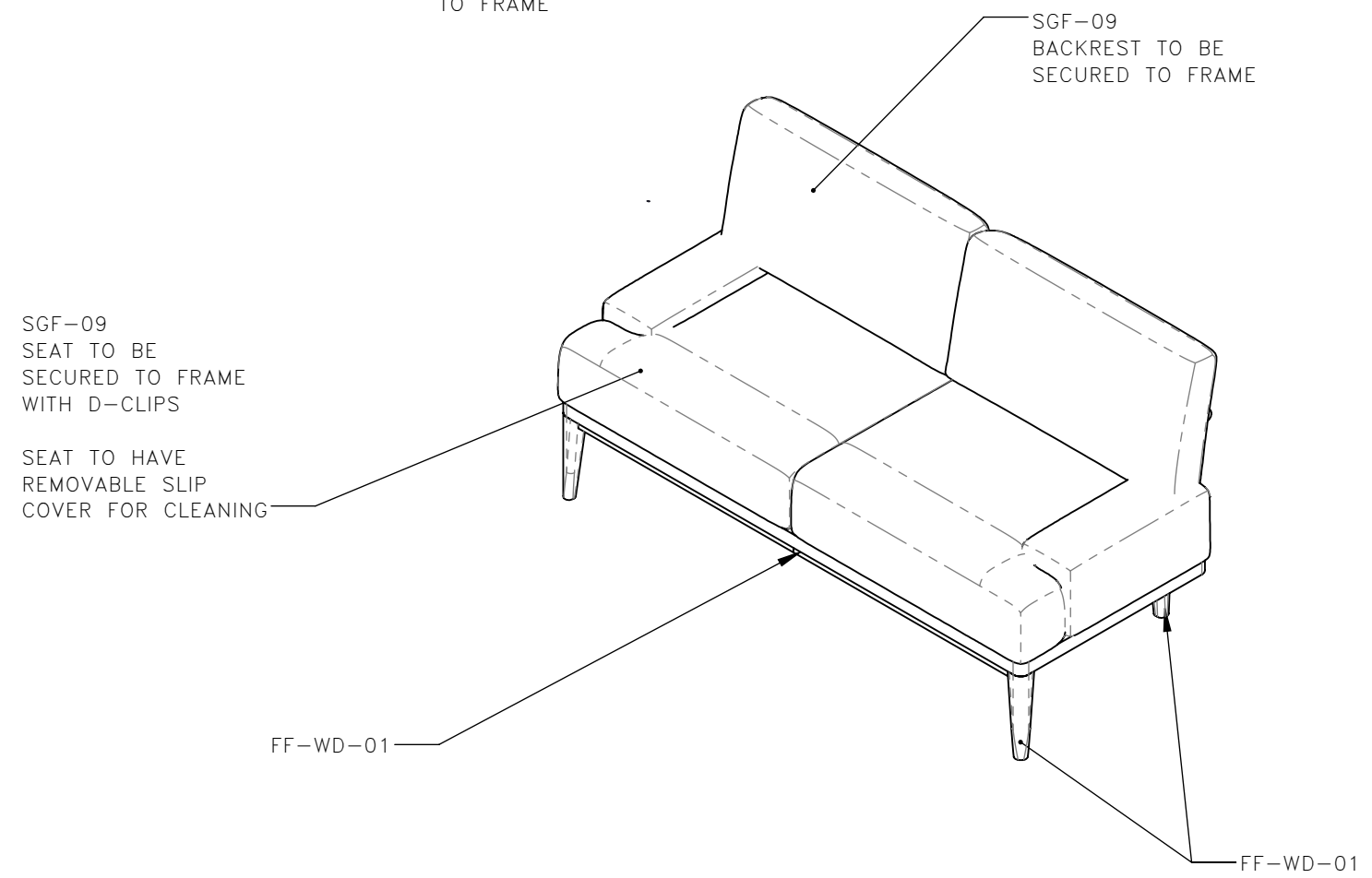
STUDIO MUNGE

DRAWING ARE NOT TO BE SCALED. CONTRACTOR MUST CHECK AND VERIFY ALL JOB DIMENSIONS, DRAWINGS, DETAILS AND SPECIFICATIONS; AND REPORT ANY DISCREPANCIES TO DESIGNER BEFORE PROCEEDING WITH WORK.

-REV/	-ISSUED FOR	-DATE



1 | FB-SG-09 | LOUNGE SOFA
1:16 | ISOMETRIC REAR



2 | FB-SG-09 | LOUNGE SOFA
1:16 | ISOMETRIC FRONT

STUDIO MUNGE
25 WINGOLD AVENUE
TORONTO, ONTARIO
M6B 1P8 CANADA
416.588.1668
STUDIOMUNGE.COM

-SCALE
AS NOTED

-DATE
2020-08-07

-DRAWN BY
RC

-CHECKED BY

-PROJECT NAME

QUEEN'S MARQUE

-DRAWING TITLE

FB-SG-09
LOUNGE SOFA

-PROJECT NUMBER
17140

-DRAWING NUMBER
2 / 6

DRAWING ARE NOT TO BE SCALED. CONTRACTOR MUST CHECK AND VERIFY ALL JOB DIMENSIONS, DRAWINGS, DETAILS AND SPECIFICATIONS, AND REPORT ANY DISCREPANCIES TO DESIGNER BEFORE PROCEEDING WITH WORK.

-REV/	-ISSUED FOR	-DATE

STUDIO MUNGE
 25 WINGOLD AVENUE
 TORONTO, ONTARIO
 M6B 1P8 CANADA
 416.588.1668
 STUDIOMUNGE.COM

-SCALE
AS NOTED

-DATE
2020-08-07

-DRAWN BY
RC

-CHECKED BY

-PROJECT NAME

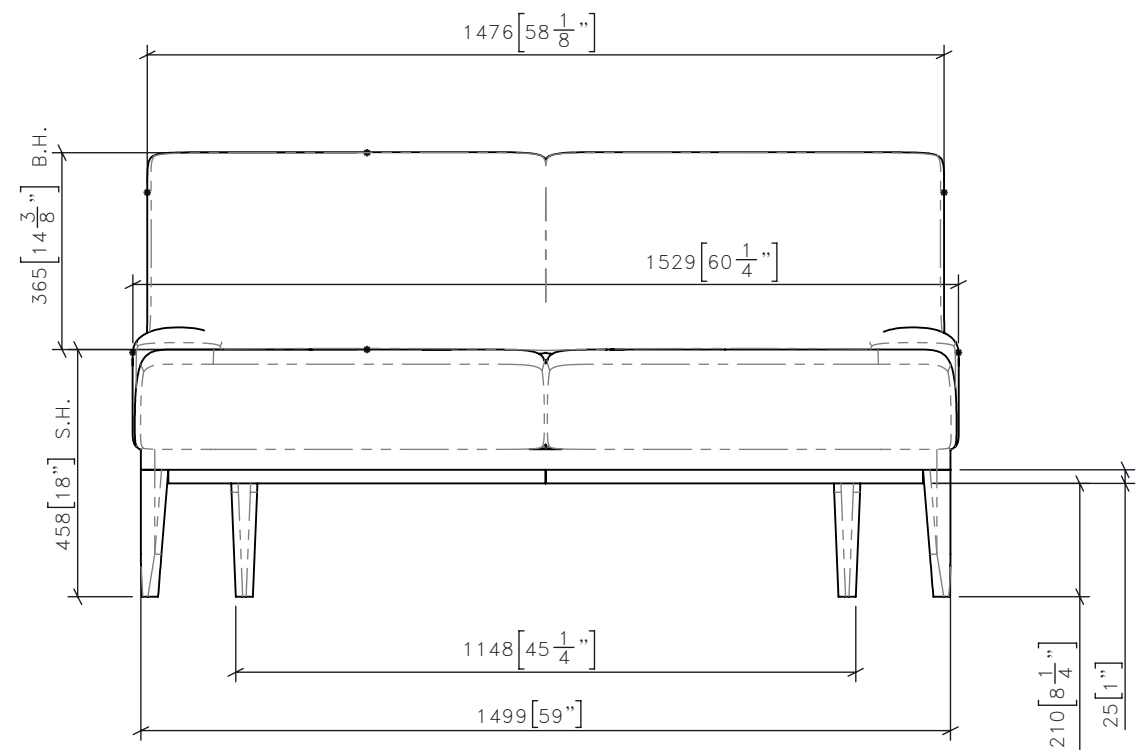
QUEEN'S MARQUE

-DRAWING TITLE

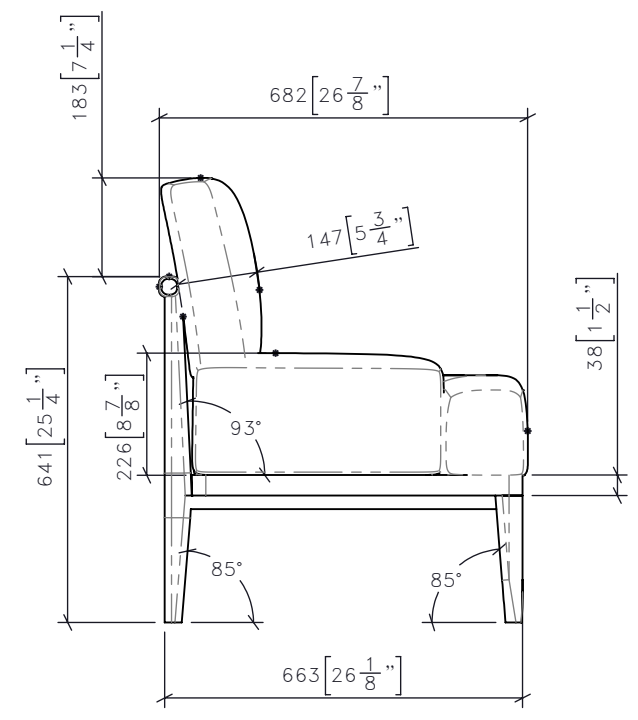
FB-SG-09
LOUNGE SOFA

-PROJECT NUMBER
17140

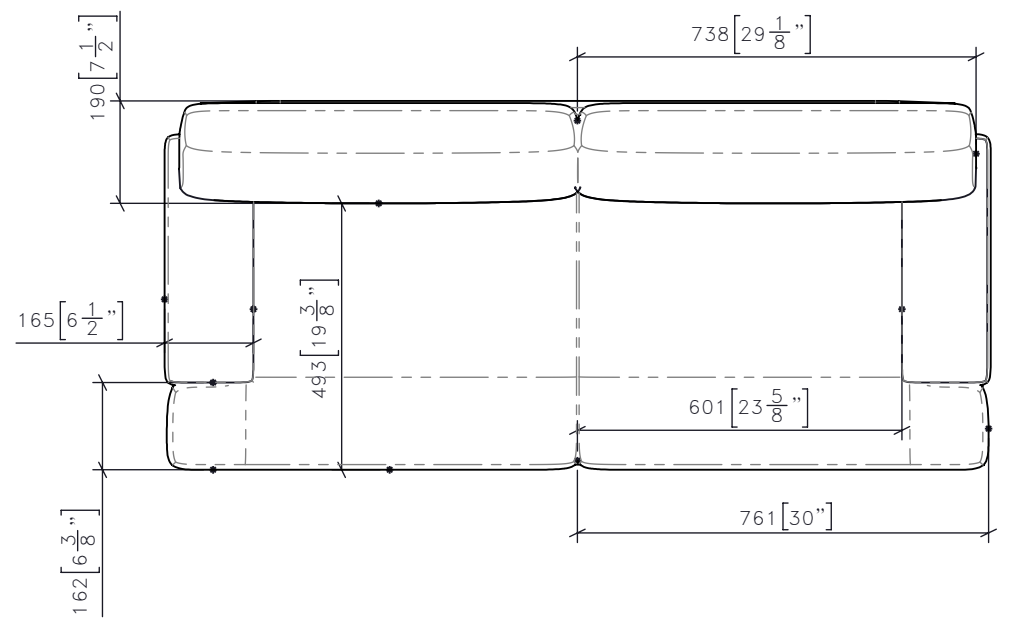
-DRAWING NUMBER
3 / 6



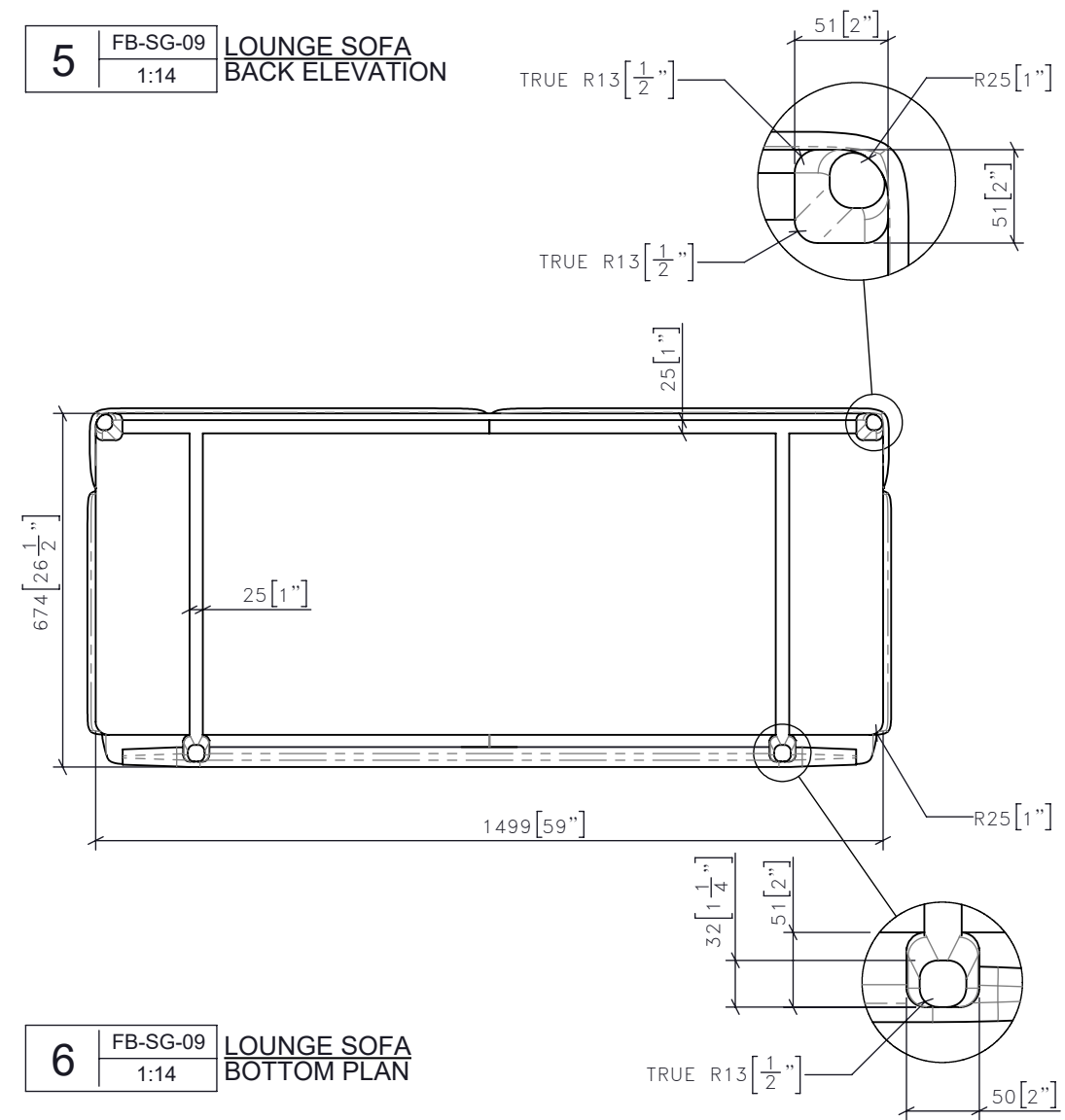
3 FB-SG-09
1:14 LOUNGE SOFA
FRONT ELEVATION



5 FB-SG-09
1:14 LOUNGE SOFA
BACK ELEVATION



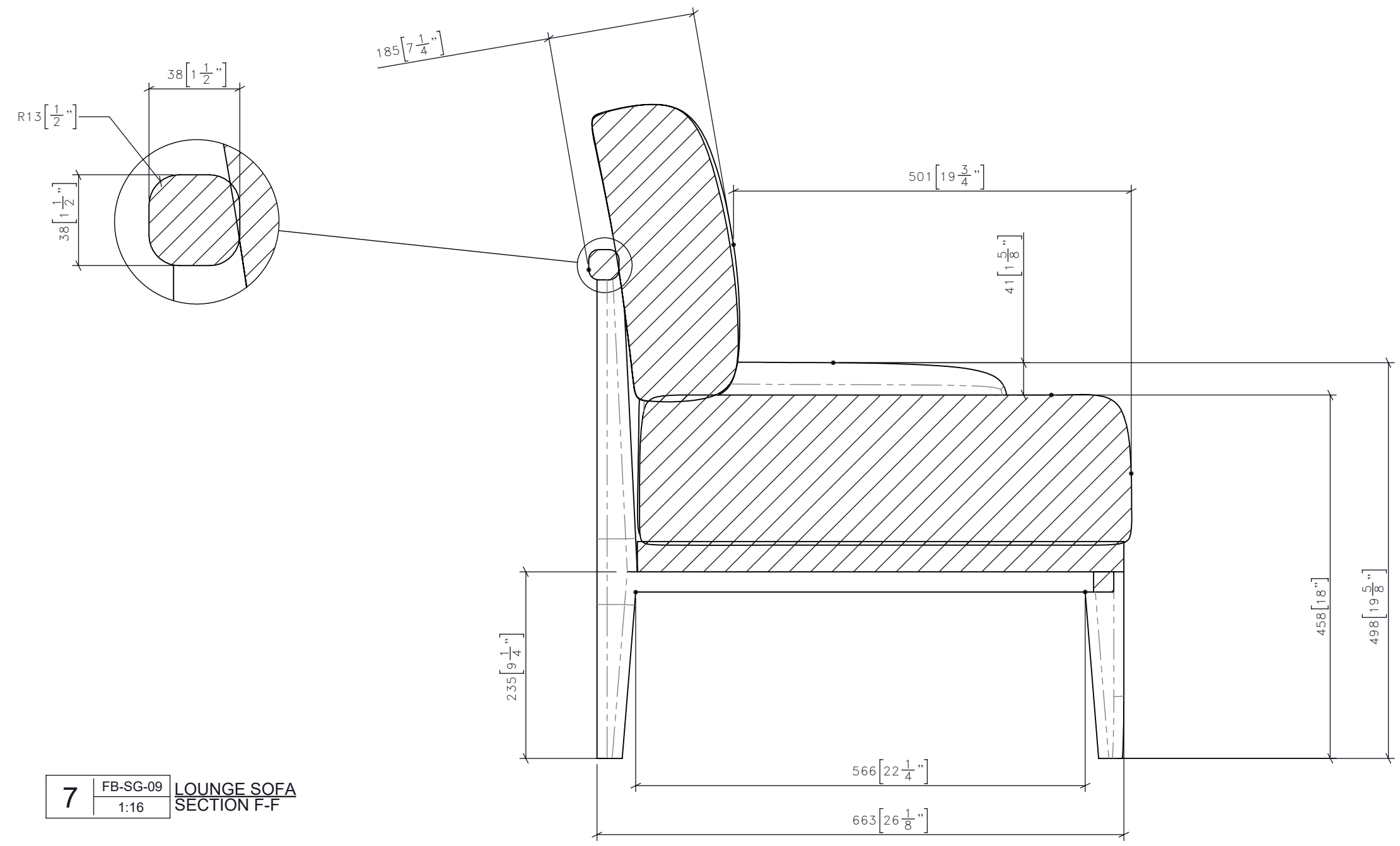
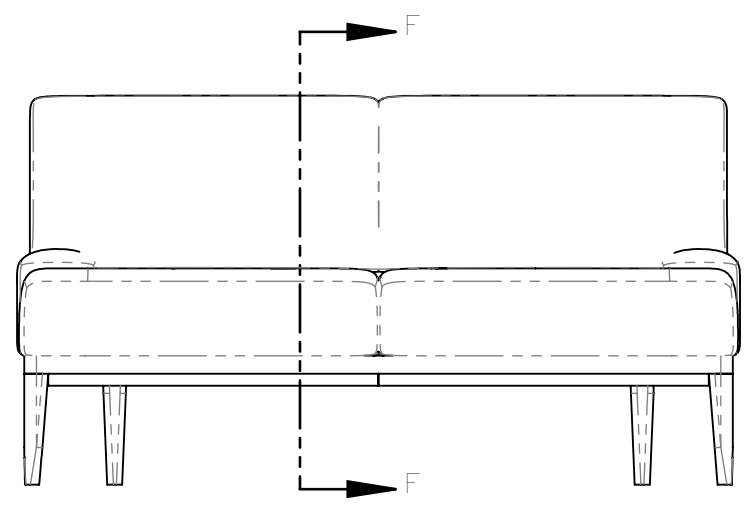
4 FB-SG-09
1:14 LOUNGE SOFA
PLAN



6 FB-SG-09
1:14 LOUNGE SOFA
BOTTOM PLAN

DRAWING ARE NOT TO BE SCALED. CONTRACTOR MUST CHECK AND VERIFY ALL JOB DIMENSIONS, DRAWINGS, DETAILS AND SPECIFICATIONS; AND REPORT ANY DISCREPANCIES TO DESIGNER BEFORE PROCEEDING WITH WORK.

-REV/	-ISSUED FOR	-DATE



STUDIO MUNGE
 25 WINGOLD AVENUE
 TORONTO, ONTARIO
 M6B 1P8 CANADA
 416.588.1668
 STUDIOMUNGE.COM

-SCALE
AS NOTED

-DATE
2020-08-07

-DRAWN BY
RC

-CHECKED BY

-PROJECT NAME

QUEEN'S MARQUE

-DRAWING TITLE

FB-SG-09
LOUNGE SOFA

-PROJECT NUMBER
17140

-DRAWING NUMBER
4 / 6

7 | FB-SG-09 | LOUNGE SOFA
1:16 | SECTION F-F

STUDIO MUNGE
Y
M
D
C
B
A
X



8	FB-SG-09	LOUNGE SOFA
	1:8	RENDERED VIEW

DRAWING ARE NOT TO BE SCALED. CONTRACTOR MUST CHECK AND VERIFY ALL JOB DIMENSIONS, DRAWINGS, DETAILS AND SPECIFICATIONS; AND REPORT ANY DISCREPANCIES TO DESIGNER BEFORE PROCEEDING WITH WORK.

-REV/	-ISSUED FOR	-DATE

STUDIO MUNGE
25 WINGOLD AVENUE
TORONTO, ONTARIO
M6B 1P8 CANADA
416.588.1668
STUDIOMUNGE.COM

-SCALE AS NOTED	-DATE 2020-08-07
---------------------------	----------------------------

-DRAWN BY RC	-CHECKED BY
------------------------	--------------------

-PROJECT NAME

QUEEN'S MARQUE

-DRAWING TITLE

FB-SG-09
LOUNGE SOFA

-PROJECT NUMBER
17140

-DRAWING NUMBER
5 / 6

STUDIO MUNGE

DRAWING ARE NOT TO BE SCALED. CONTRACTOR MUST CHECK AND VERIFY ALL JOB DIMENSIONS, DRAWINGS, DETAILS AND SPECIFICATIONS; AND REPORT ANY DISCREPANCIES TO DESIGNER BEFORE PROCEEDING WITH WORK.

-REV/	-ISSUED FOR	-DATE



STUDIO MUNGE

25 WINGOLD AVENUE
TORONTO, ONTARIO
M6B 1P8 CANADA
416.588.1668
STUDIOMUNGE.COM

9 | FB-SG-09 | LOUNGE SOFA
1:8 | RENDERED VIEW

-SCALE	AS NOTED	-DATE	2020-08-07
-DRAWN BY	RC	-CHECKED BY	
-PROJECT NAME		QUEEN'S MARQUE	
-DRAWING TITLE		FB-SG-09 LOUNGE SOFA	
-PROJECT NUMBER		17140	
-DRAWING NUMBER		6 / 6	