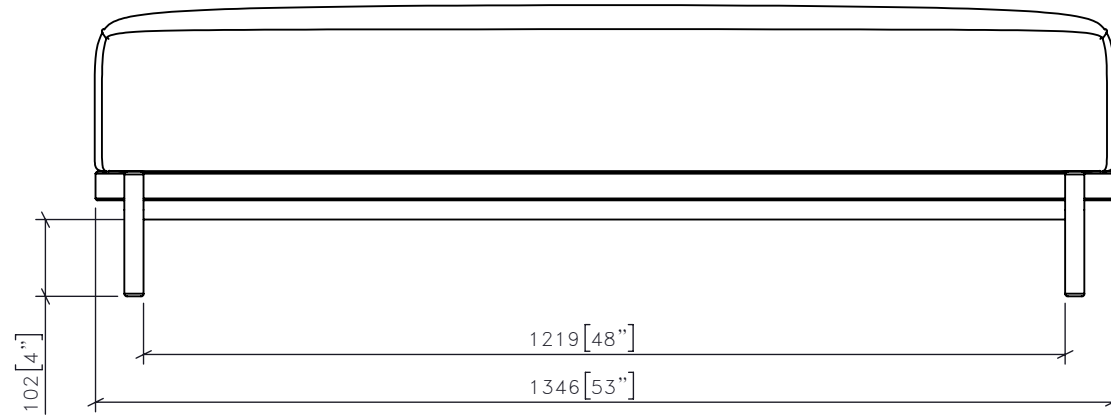
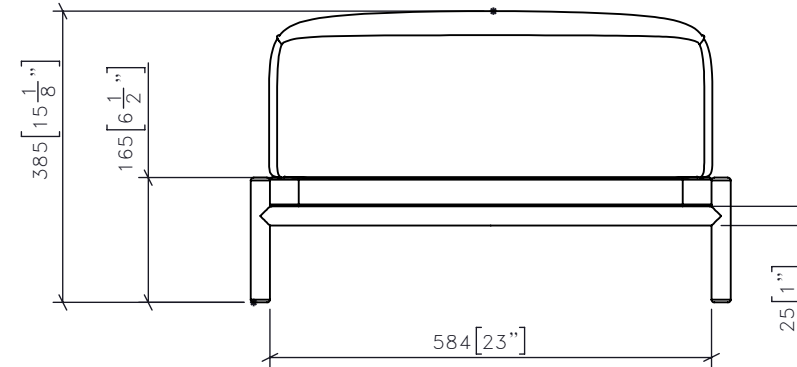


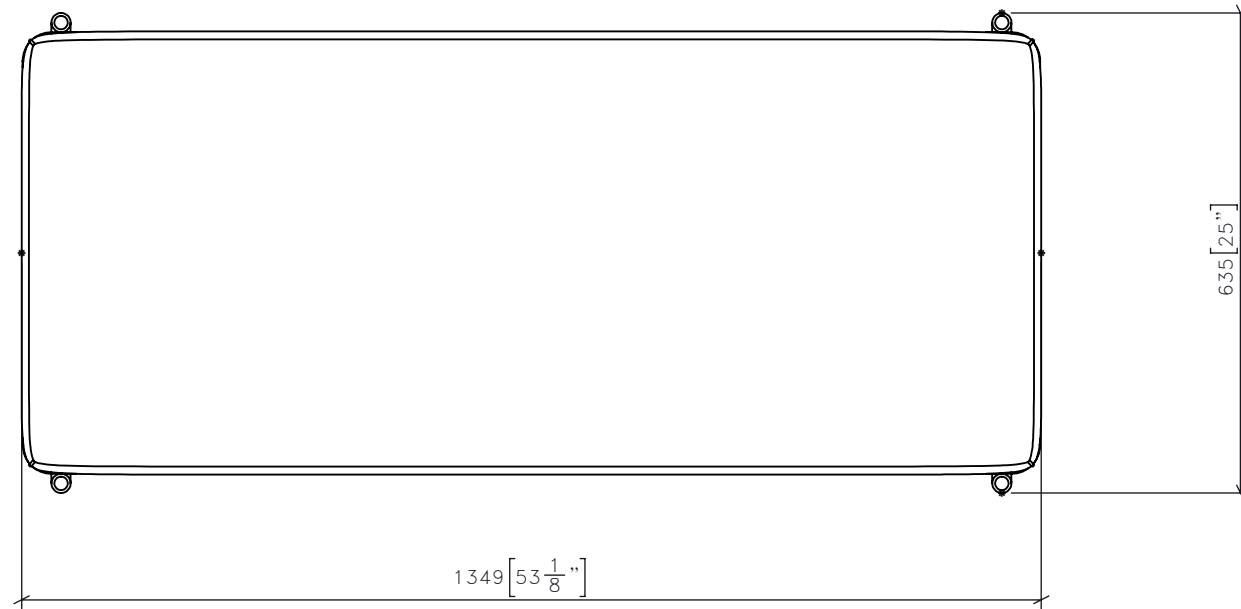
REV	ISSUED FOR	DATE



1 | SG-05 | OTTOMAN
1:10 | FRONT ELEVATION



3 | SG-05 | OTTOMAN
1:10 | SIDE ELEVATION



2 | SG-05 | OTTOMAN
1:10 | PLAN

STUDIO MUNGE
25 WINGOLD AVENUE
TORONTO, ONTARIO
M6B 1P8 CANADA
416.588.1668
STUDIOMUNGE.COM

-SCALE
AS NOTED

-DATE
2020-03-31

-DRAWN BY
RC

-CHECKED BY

-PROJECT NAME
QUEEN'S MARQUE

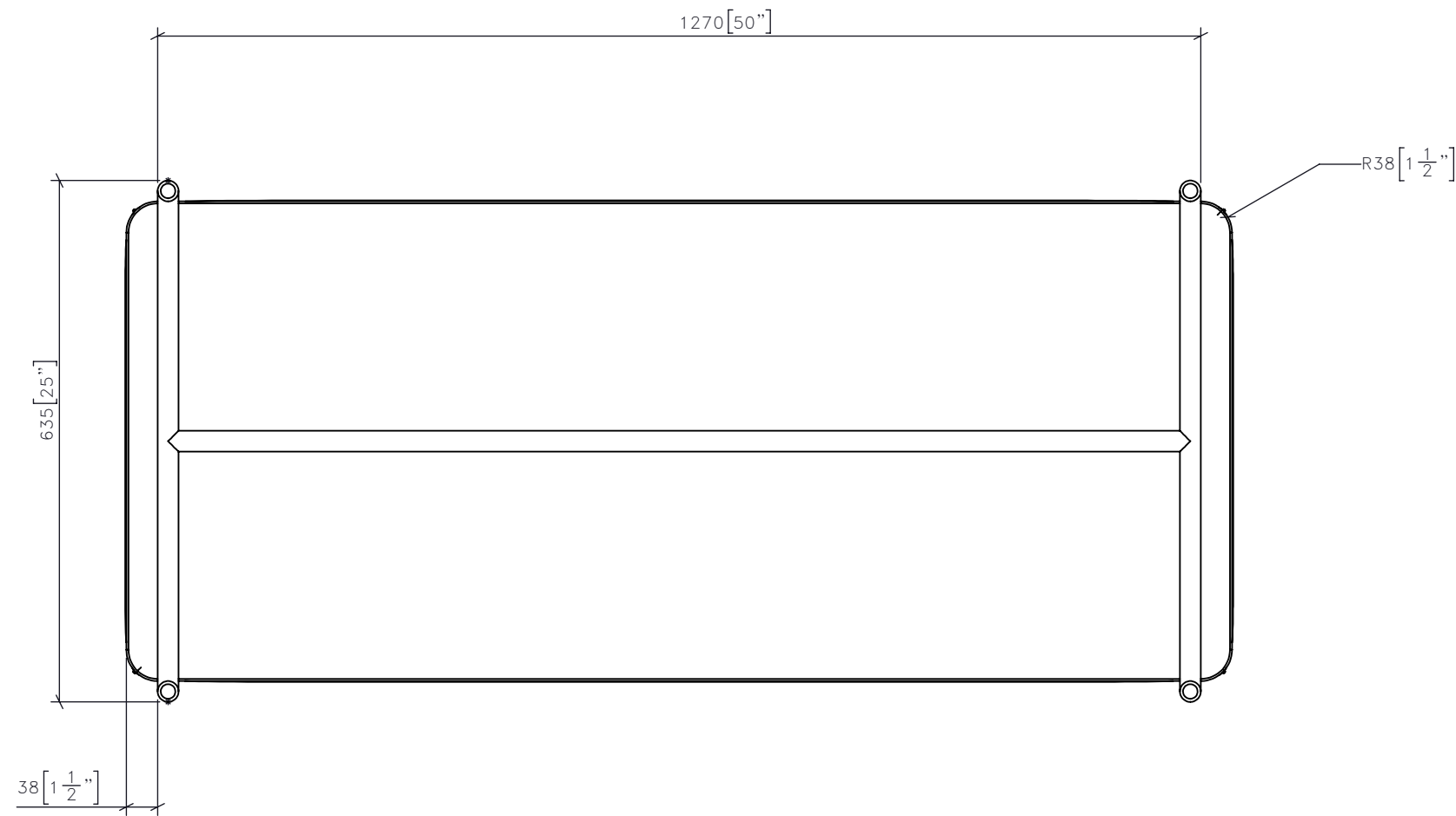
-DRAWING TITLE
SG-05
OTTOMAN

-PROJECT NUMBER
17140

-DRAWING NUMBER
1 / 4

FOR DESIGN INTENT ONLY

DRAWING ARE NOT TO BE SCALED. CONTRACTOR MUST CHECK AND VERIFY ALL JOB DIMENSIONS, DRAWINGS, DETAILS AND SPECIFICATIONS; AND REPORT ANY DISCREPANCIES TO DESIGNER BEFORE PROCEEDING WITH WORK.



-REV/	-ISSUED FOR	-DATE

STUDIO MUNGE
 25 WINGOLD AVENUE
 TORONTO, ONTARIO
 M6B 1P8 CANADA
 416.588.1668
 STUDIOMUNGE.COM

-SCALE
AS NOTED

-DATE
2020-03-31

-DRAWN BY
RC

-CHECKED BY

-PROJECT NAME

 QUEEN'S MARQUE

-DRAWING TITLE

 SG-05
 OTTOMAN

-PROJECT NUMBER
17140

-DRAWING NUMBER
2 / 4

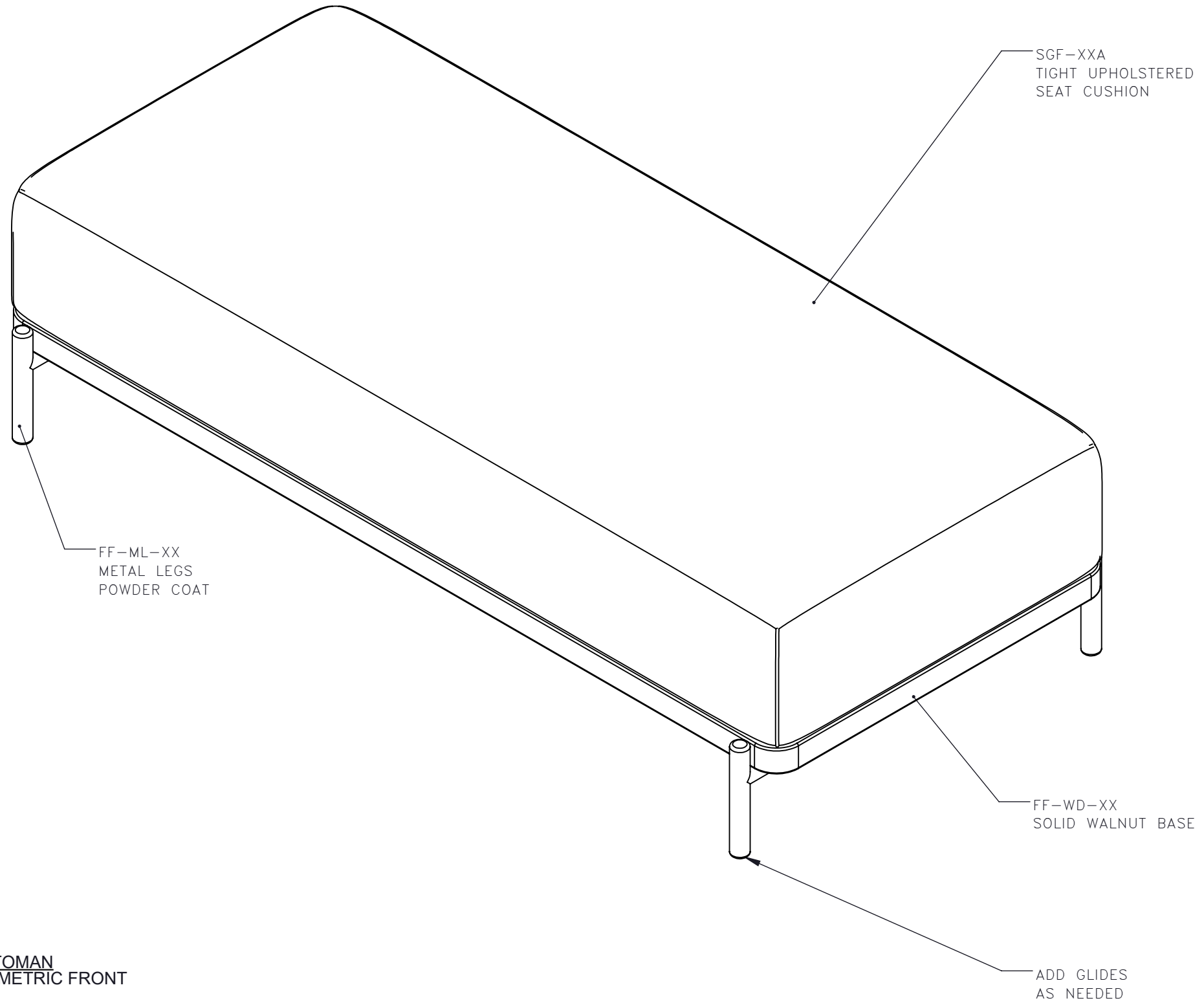
4	SG-05	OTTOMAN
	1:8	BOTTOM ELEVATION

STUDIO MUNGE
E
D
C
B
A
Y

FOR DESIGN INTENT ONLY

DRAWING ARE NOT TO BE SCALED. CONTRACTOR MUST CHECK AND VERIFY ALL JOB DIMENSIONS, DRAWINGS, DETAILS AND SPECIFICATIONS; AND REPORT ANY DISCREPANCIES TO DESIGNER BEFORE PROCEEDING WITH WORK.

-REV/	-ISSUED FOR	-DATE



**STUDIO
MUNGE**
25 WINGOLD AVENUE
TORONTO, ONTARIO
M6B 1P8 CANADA
416.588.1668
STUDIOMUNGE.COM

-SCALE
AS NOTED

-DATE
2020-03-31

-DRAWN BY
RC

-CHECKED BY

-PROJECT NAME

QUEEN'S MARQUE

-DRAWING TITLE

SG-05
OTTOMAN

-PROJECT NUMBER
17140

-DRAWING NUMBER
3 / 4

5 | SG-05 | OTTOMAN
1:6 | ISOMETRIC FRONT

STUDIO MUNGE
E
F
D
C
B
A
Y

FOR DESIGN INTENT ONLY

DRAWING ARE NOT TO BE SCALED. CONTRACTOR MUST CHECK AND VERIFY ALL JOB DIMENSIONS, DRAWINGS, DETAILS AND SPECIFICATIONS; AND REPORT ANY DISCREPANCIES TO DESIGNER BEFORE PROCEEDING WITH WORK.

-REV/	-ISSUED FOR	-DATE



**STUDIO
MUNGE**
25 WINGOLD AVENUE
TORONTO, ONTARIO
M6B 1P8 CANADA
416.588.1668
STUDIOMUNGE.COM

-SCALE
AS NOTED

-DATE
2020-03-31

-DRAWN BY
RC

-CHECKED BY

-PROJECT NAME

QUEEN'S MARQUE

-DRAWING TITLE

SG-05
OTTOMAN

-PROJECT NUMBER
17140

-DRAWING NUMBER
4 / 4

6	SG-05	OTTOMAN Drawing View1
	1:10	