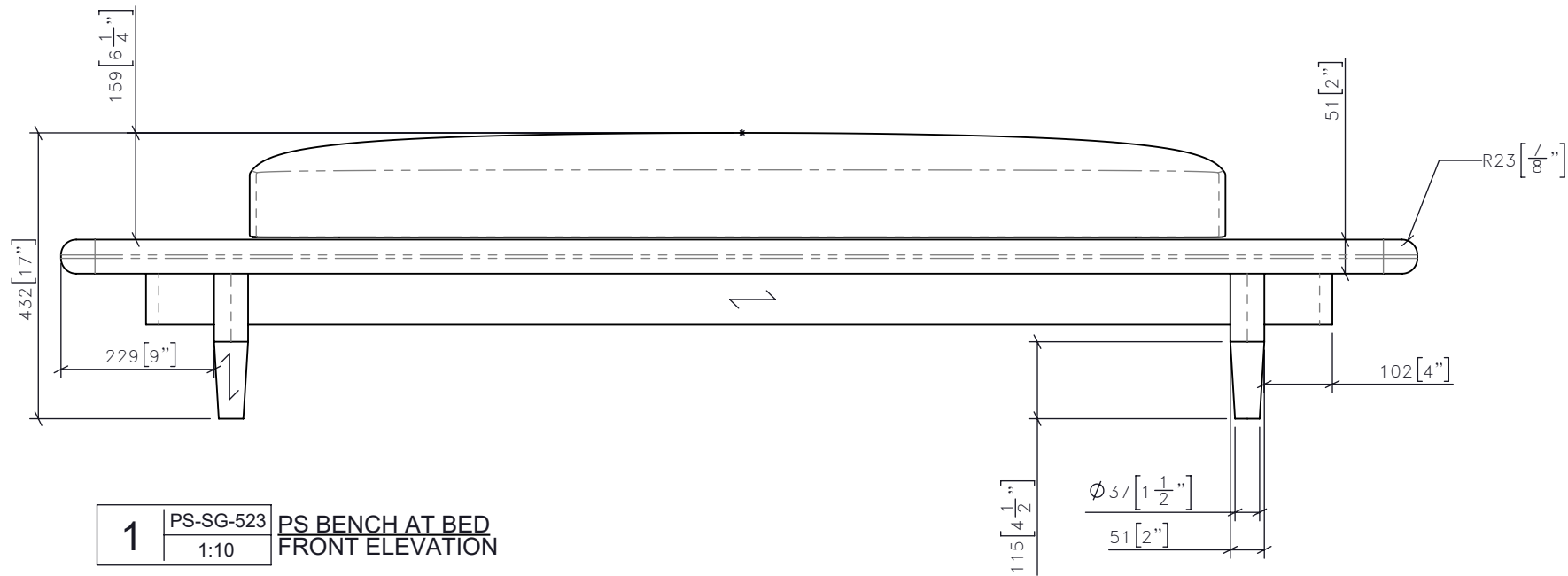
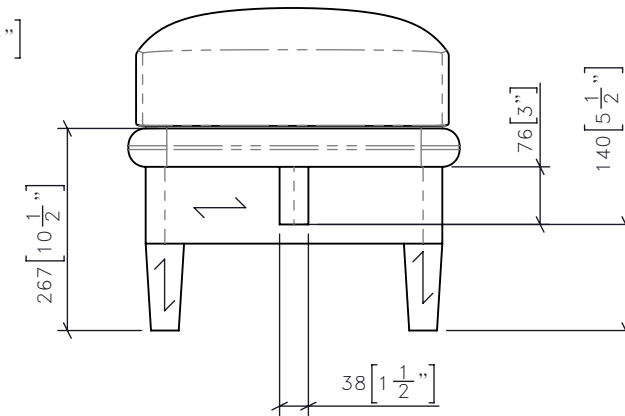


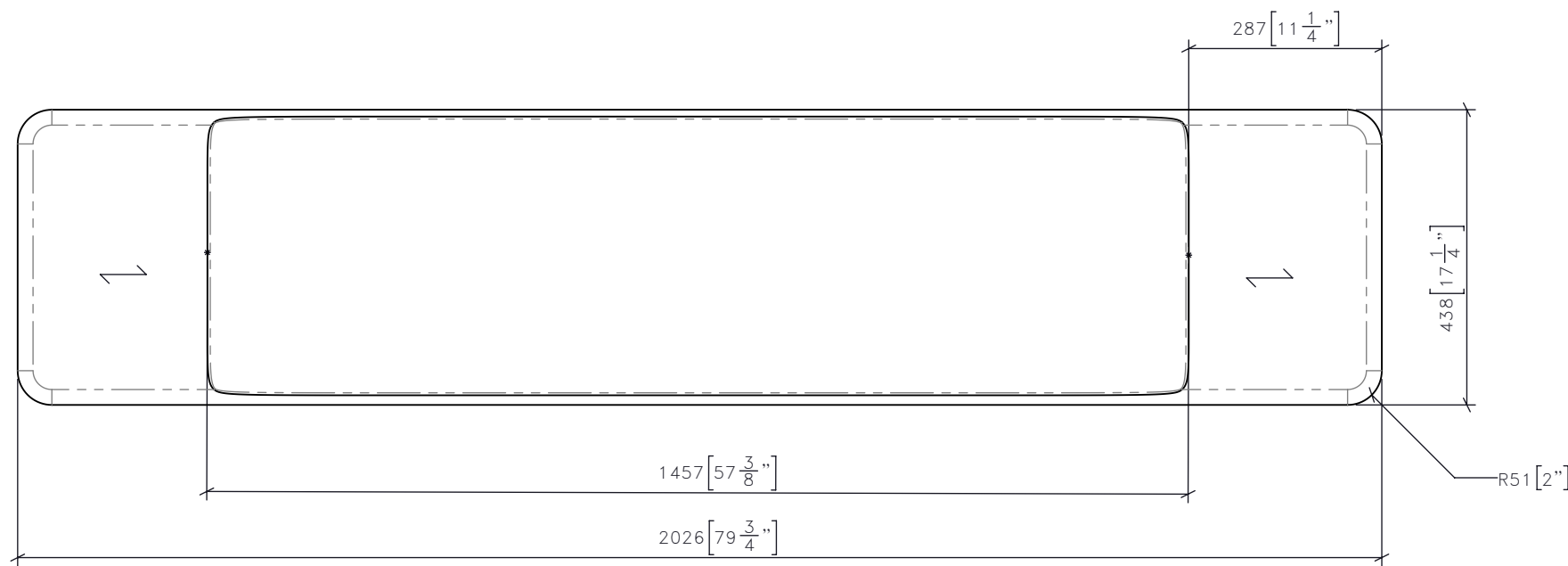
-REV/	-ISSUED FOR	-DATE



1 PS-SG-523 PS BENCH AT BED FRONT ELEVATION
1:10



3 PS-SG-523 PS BENCH AT BED SIDE ELEVATION
1:10



2 PS-SG-523 PS BENCH AT BED PLAN
1:10

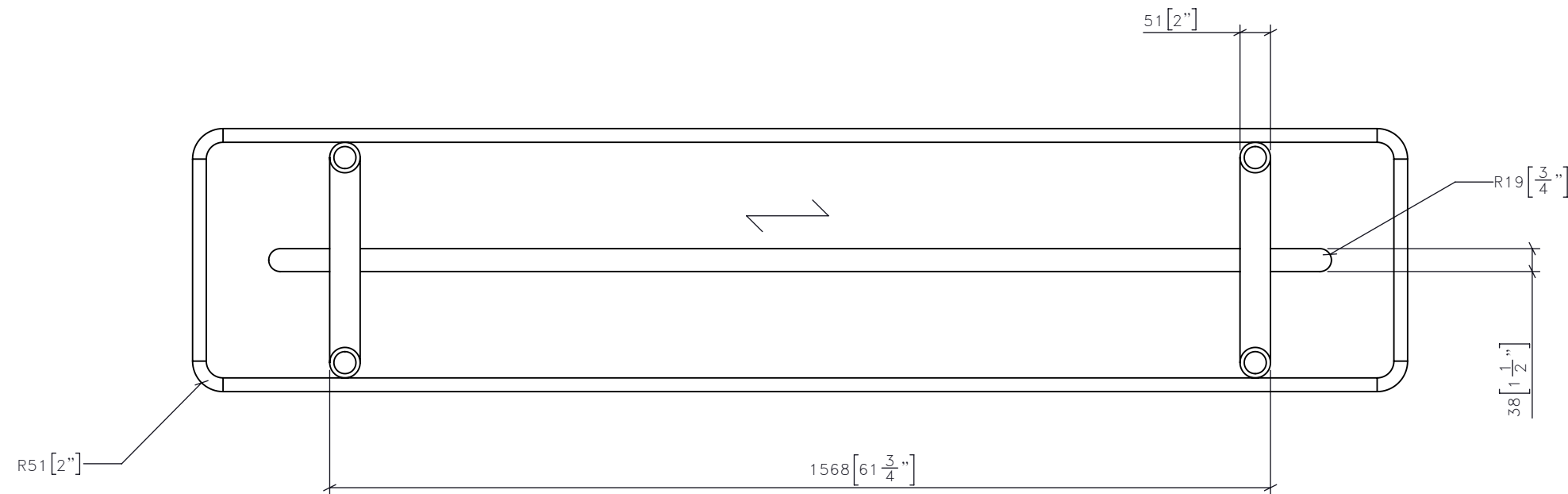
STUDIO MUNGE
25 WINGOLD AVENUE
TORONTO, ONTARIO
M6B 1P8 CANADA
416.588.1668
STUDIOMUNGE.COM

-SCALE AS NOTED	-DATE 6/11/20
-DRAWN BY RC	-CHECKED BY
-PROJECT NAME QUEEN'S MARQUE	
-DRAWING TITLE PS-SG-523 PS BENCH AT BED	
-PROJECT NUMBER 17140	
-DRAWING NUMBER 1 / 4	

FOR DESIGN INTENT ONLY

DRAWING ARE NOT TO BE SCALED. CONTRACTOR MUST CHECK AND VERIFY ALL JOB DIMENSIONS, DRAWINGS, DETAILS AND SPECIFICATIONS; AND REPORT ANY DISCREPANCIES TO DESIGNER BEFORE PROCEEDING WITH WORK.

-REV/	-ISSUED FOR	-DATE



STUDIO MUNGE
 25 WINGOLD AVENUE
 TORONTO, ONTARIO
 M6B 1P8 CANADA
 416.588.1668
 STUDIOMUNGE.COM

-SCALE
AS NOTED

-DATE
6/11/20

-DRAWN BY
RC

-CHECKED BY

-PROJECT NAME

QUEEN'S MARQUE

-DRAWING TITLE

PS-SG-523
PS BENCH AT BED

-PROJECT NUMBER
17140

-DRAWING NUMBER
2 / 4

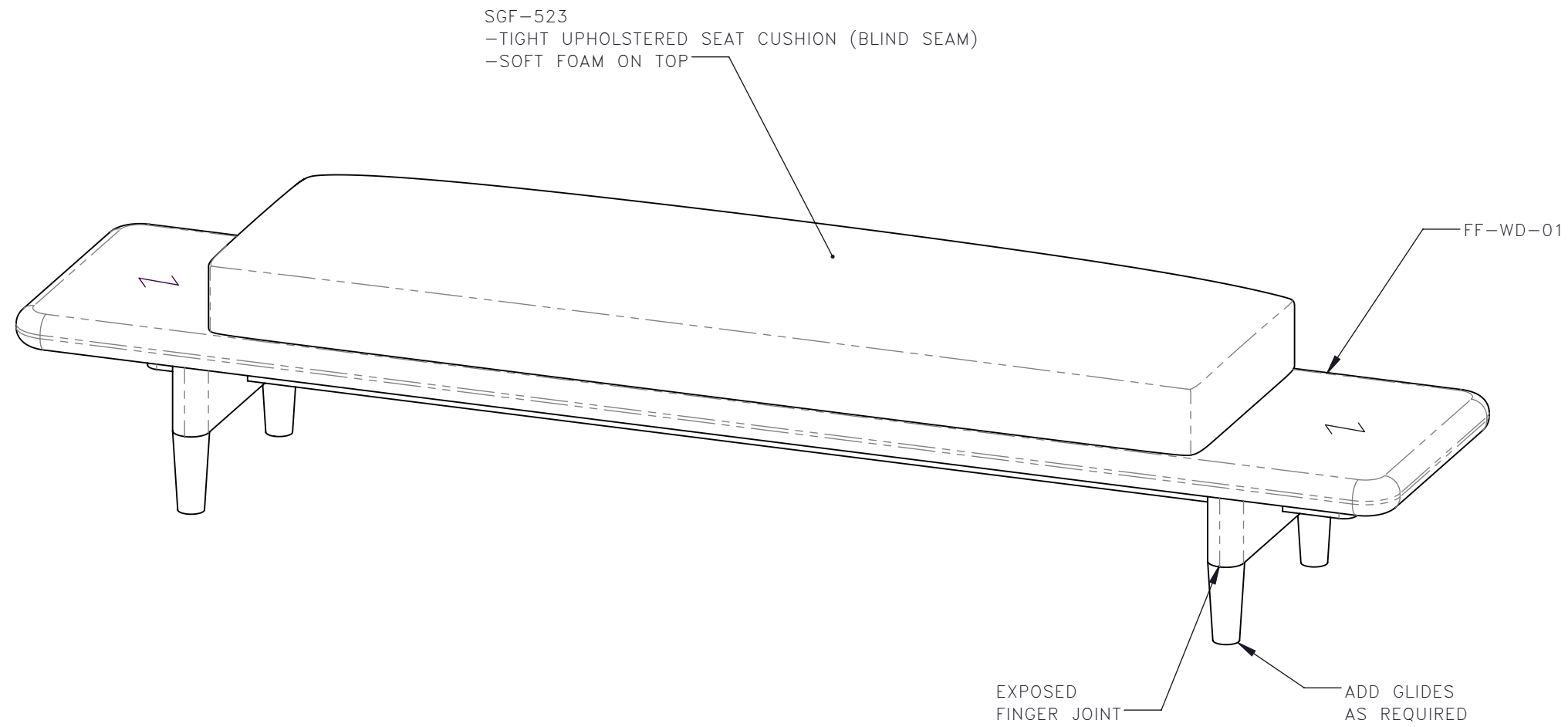
4 | PS-SG-523 | **PS BENCH AT BED**
 1:10 | **BOTTOM VIEW**

STUDIO MUNGE

FOR DESIGN INTENT ONLY

DRAWING ARE NOT TO BE SCALED. CONTRACTOR MUST CHECK AND VERIFY ALL JOB DIMENSIONS, DRAWINGS, DETAILS AND SPECIFICATIONS; AND REPORT ANY DISCREPANCIES TO DESIGNER BEFORE PROCEEDING WITH WORK.

-REV/	-ISSUED FOR	-DATE



STUDIO MUNGE
 25 WINGOLD AVENUE
 TORONTO, ONTARIO
 M6B 1P8 CANADA
 416.588.1668
 STUDIOMUNGE.COM

-SCALE
AS NOTED

-DATE
6/11/20

-DRAWN BY
RC

-CHECKED BY

-PROJECT NAME
QUEEN'S MARQUE

-DRAWING TITLE
PS-SG-523
PS BENCH AT BED

-PROJECT NUMBER
17140

-DRAWING NUMBER
3 / 4

4 | PS-SG-523 | PS BENCH AT BED
 1:8 | RENDERED VIEW

STUDIO MUNGE
E
F
D
C
B
A
Y

1 2 3 4 5 6

FOR DESIGN INTENT ONLY

DRAWING ARE NOT TO BE SCALED. CONTRACTOR MUST CHECK AND VERIFY ALL JOB DIMENSIONS, DRAWINGS, DETAILS AND SPECIFICATIONS; AND REPORT ANY DISCREPANCIES TO DESIGNER BEFORE PROCEEDING WITH WORK.

-REV/	-ISSUED FOR	-DATE



**STUDIO
MUNGE**
25 WINGOLD AVENUE
TORONTO, ONTARIO
M6B 1P8 CANADA
416.588.1668
STUDIOMUNGE.COM

-SCALE
AS NOTED

-DATE
6/11/20

-DRAWN BY
RC

-CHECKED BY

-PROJECT NAME

QUEEN'S MARQUE

-DRAWING TITLE

PS-SG-523
PS BENCH AT BED

-PROJECT NUMBER
17140

-DRAWING NUMBER
4 / 4

4 | PS-SG-523 | PS BENCH AT BED
1:8 | RENDERED VIEW

1 2 3 4 5 6