

STUDIO MUNGE

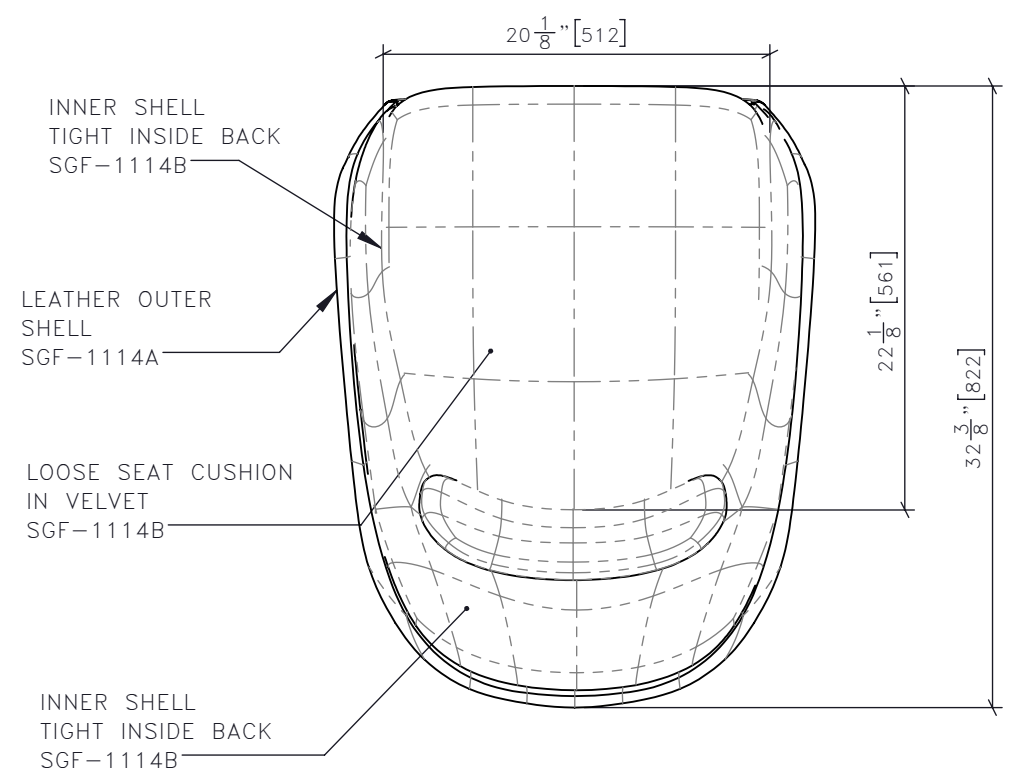
DRAWING ARE NOT TO BE SCALED. CONTRACTOR MUST CHECK AND VERIFY ALL JOB DIMENSIONS, DRAWINGS, DETAILS AND SPECIFICATIONS; AND REPORT ANY DISCREPANCIES TO DESIGNER BEFORE PROCEEDING WITH WORK.

FOR DESIGN INTENT ONLY

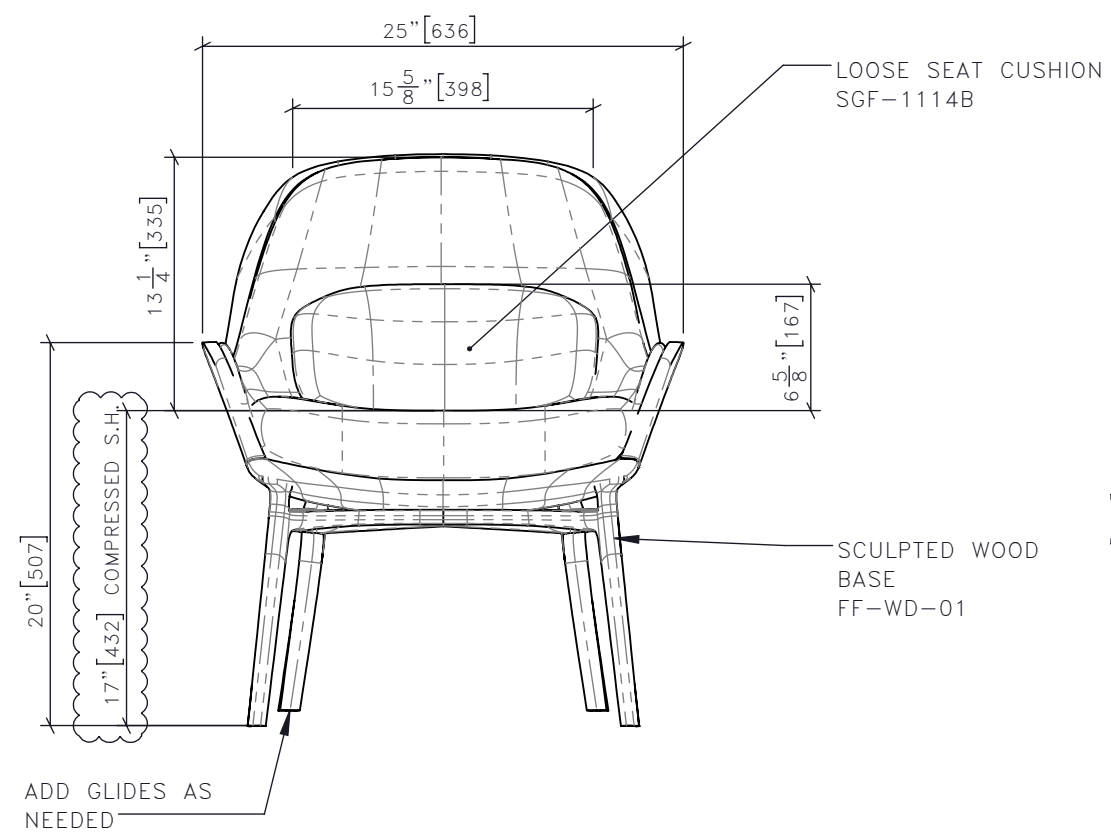
REV	ISSUED FOR	DATE

STUDIO MUNGE
 25 WINGOLD AVENUE
 TORONTO, ONTARIO
 M6B 1P8 CANADA
 416.588.1668
 STUDIOMUNGE.COM

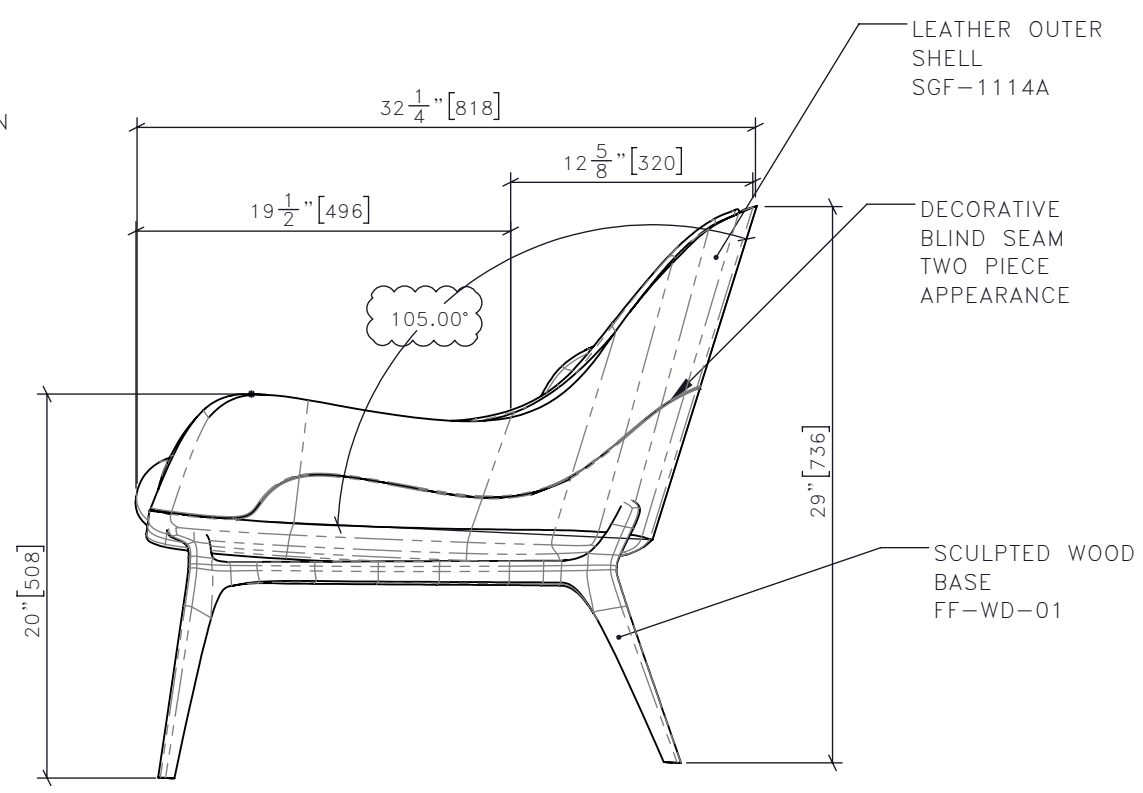
SCALE AS NOTED	DATE 6/4/18
DRAWN BY RC	CHECKED BY
PROJECT NAME PARK HYATT TORONTO	
DRAWING TITLE SG-1114 BLUE LOUNGE CHAIR IN HALLWAY	
PROJECT NUMBER 16101	
DRAWING NUMBER 1 / 2	



1 | SG-1114 | **BLUE LOUNGE CHAIR IN HALLWAY**
 1:8 | PLAN VIEW



2 | SG-1114 | **BLUE LOUNGE CHAIR IN HALLWAY**
 1:8 | FRONT VIEW



3 | SG-1114 | **BLUE LOUNGE CHAIR IN HALLWAY**
 1:8 | SIDE VIEW

STUDIO MUNGE
Y
E
M
D
C
B
A
Y

FOR DESIGN INTENT ONLY

DRAWING ARE NOT TO BE SCALED. CONTRACTOR MUST CHECK AND VERIFY ALL JOB DIMENSIONS, DRAWINGS, DETAILS AND SPECIFICATIONS; AND REPORT ANY DISCREPANCIES TO DESIGNER BEFORE PROCEEDING WITH WORK.

REV	ISSUED FOR	DATE



STUDIO MUNGE
25 WINGOLD AVENUE
TORONTO, ONTARIO
M6B 1P8 CANADA
416.588.1668
STUDIOMUNGE.COM

SCALE AS NOTED
DATE 6/4/18

DRAWN BY RC
CHECKED BY

PROJECT NAME
PARK HYATT TORONTO

DRAWING TITLE
SG-1114
BLUE LOUNGE CHAIR IN HALLWAY

PROJECT NUMBER
16101

DRAWING NUMBER
2 / 2

4 | SG-1114 | BLUE LOUNGE CHAIR IN HALLWAY
NTS | RENDERED VIEW