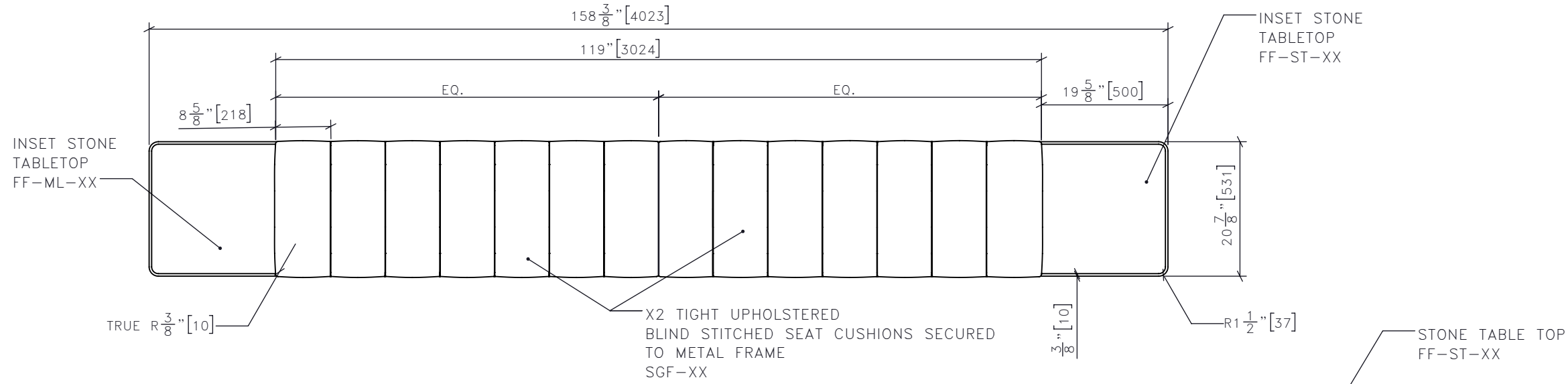


STUDIO MUNGE

FOR DESIGN INTENT ONLY

DRAWING ARE NOT TO BE SCALED. CONTRACTOR MUST CHECK AND VERIFY ALL JOB DIMENSIONS, DRAWINGS, DETAILS AND SPECIFICATIONS, AND REPORT ANY DISCREPANCIES TO DESIGNER BEFORE PROCEEDING WITH WORK.

| | | |
|-----|------------|------|
| REV | ISSUED FOR | DATE |
| | | |

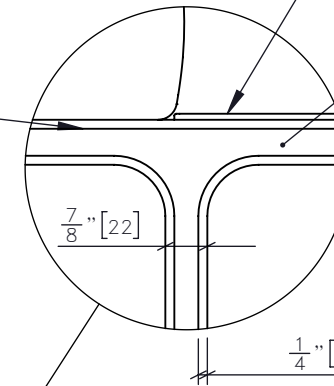


1 | SG-XX | **RECEPTION BENCH PLAN**
1:20



REFERENCE DETAIL FOR CHANELING

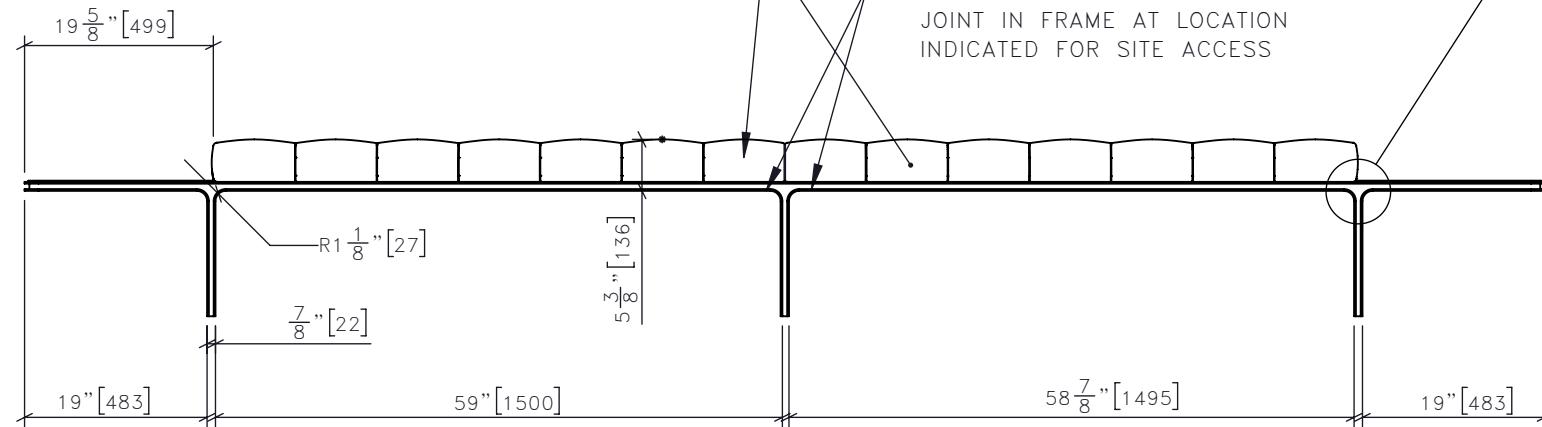
BENT 3/16" X 1.25" FLATBAR LEGS WITH LASER CUT SHEET METAL WITHIN



LASER CUT SHEET METAL CENTERED ON FLAT BAR SEAM WELD ALONG INSIDE FACE TO CREATE H BEAM SECTION

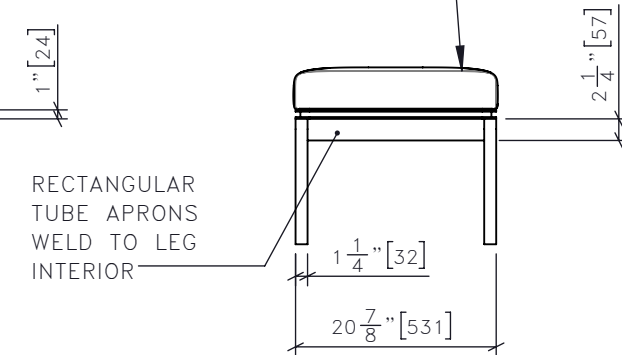
TIGHT UPHOLSTERED BLIND STICHED SEAT SECURED TO FRAME SGF-XX

NOTE: PROVIDE DEMOUNTABLE JOINT IN FRAME AT LOCATION INDICATED FOR SITE ACCESS



2 | SG-XX | **RECEPTION BENCH FRONT ELEVATION**
1:20

TIGHT UPHOLSTERED PILLOWS SECURED TO FRAME FF-FB-XX



3 | SG-XX | **RECEPTION BENCH SIDE ELEVATION**
1:20

STUDIO MUNGE
25 WINGOLD AVENUE
TORONTO, ONTARIO
M6B 1P8 CANADA
416.588.1668
STUDIOMUNGE.COM

SCALE AS NOTED DATE 11/15/17

DRAWN BY EP CHECKED BY

PROJECT NAME

PARK HYATT TORONTO

DRAWING TITLE

SG-XX RECEPTION BENCH

PROJECT NUMBER 16101

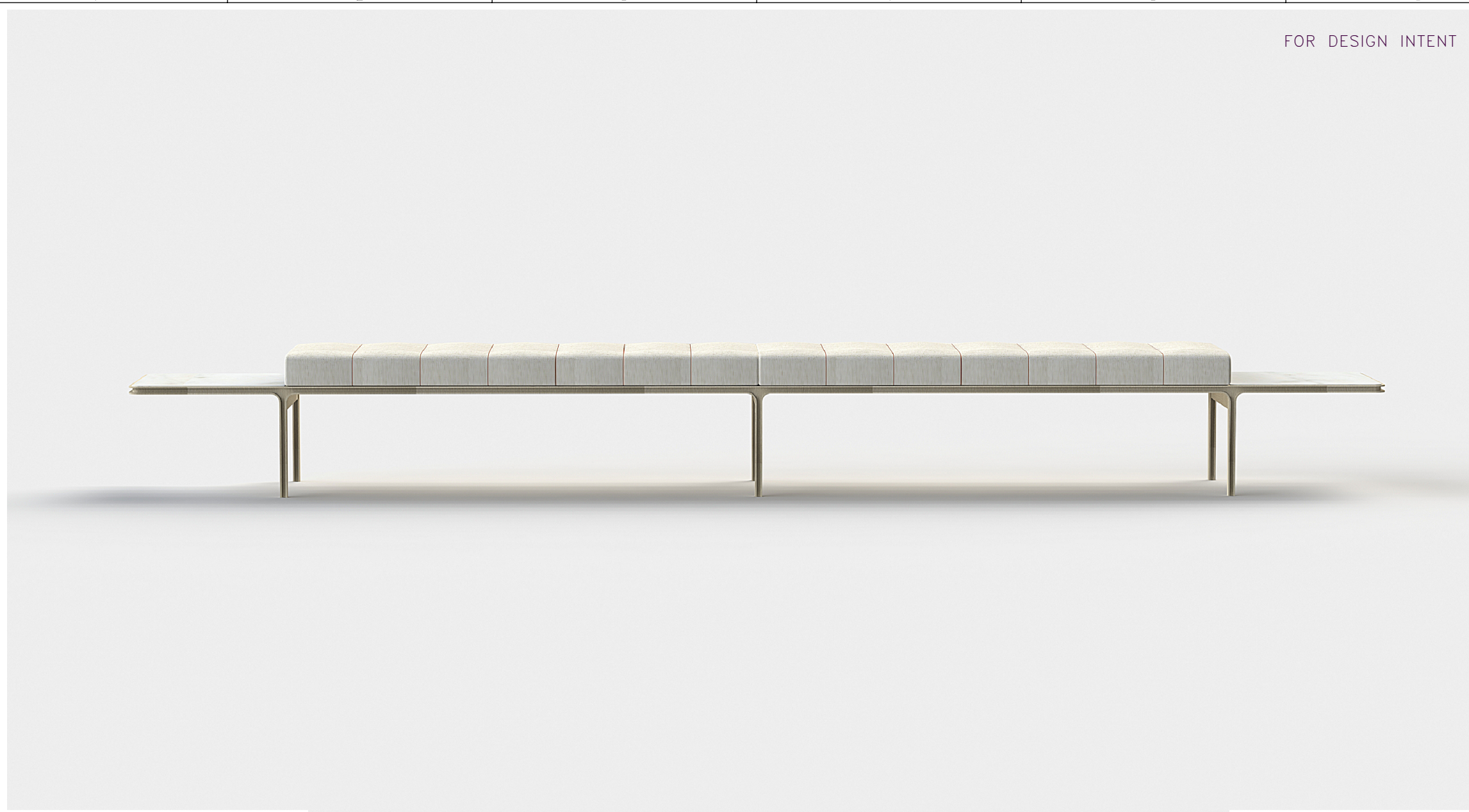
DRAWING NUMBER

1 / 2

Y
E
M
D
C
B
A
Y

1 2 3 4 5 6

FOR DESIGN INTENT ONLY



DRAWING ARE NOT TO BE SCALED. CONTRACTOR MUST CHECK AND VERIFY ALL JOB DIMENSIONS, DRAWINGS, DETAILS AND SPECIFICATIONS; AND REPORT ANY DISCREPANCIES TO DESIGNER BEFORE PROCEEDING WITH WORK.

| REV | ISSUED FOR | DATE |
|-----|------------|------|
| | | |

STUDIO MUNGE
 25 WINGOLD AVENUE
 TORONTO, ONTARIO
 M6B 1P8 CANADA
 416.588.1668
 STUDIOMUNGE.COM

SCALE AS NOTED
DATE 11/15/17

DRAWN BY EP
CHECKED BY

PROJECT NAME
 PARK HYATT TORONTO

DRAWING TITLE
 SG-XX
 RECEPTION BENCH

PROJECT NUMBER
 16101

DRAWING NUMBER
 2 / 2

1 2 3 4 5 6