

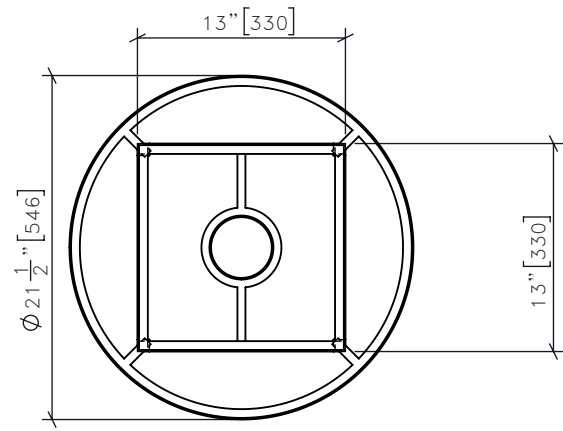
FOR DESIGN INTENT ONLY

DRAWING ARE NOT TO BE SCALED. CONTRACTOR MUST CHECK AND VERIFY ALL JOB DIMENSIONS, DRAWINGS, DETAILS AND SPECIFICATIONS; AND REPORT ANY DISCREPANCIES TO DESIGNER BEFORE PROCEEDING WITH WORK.

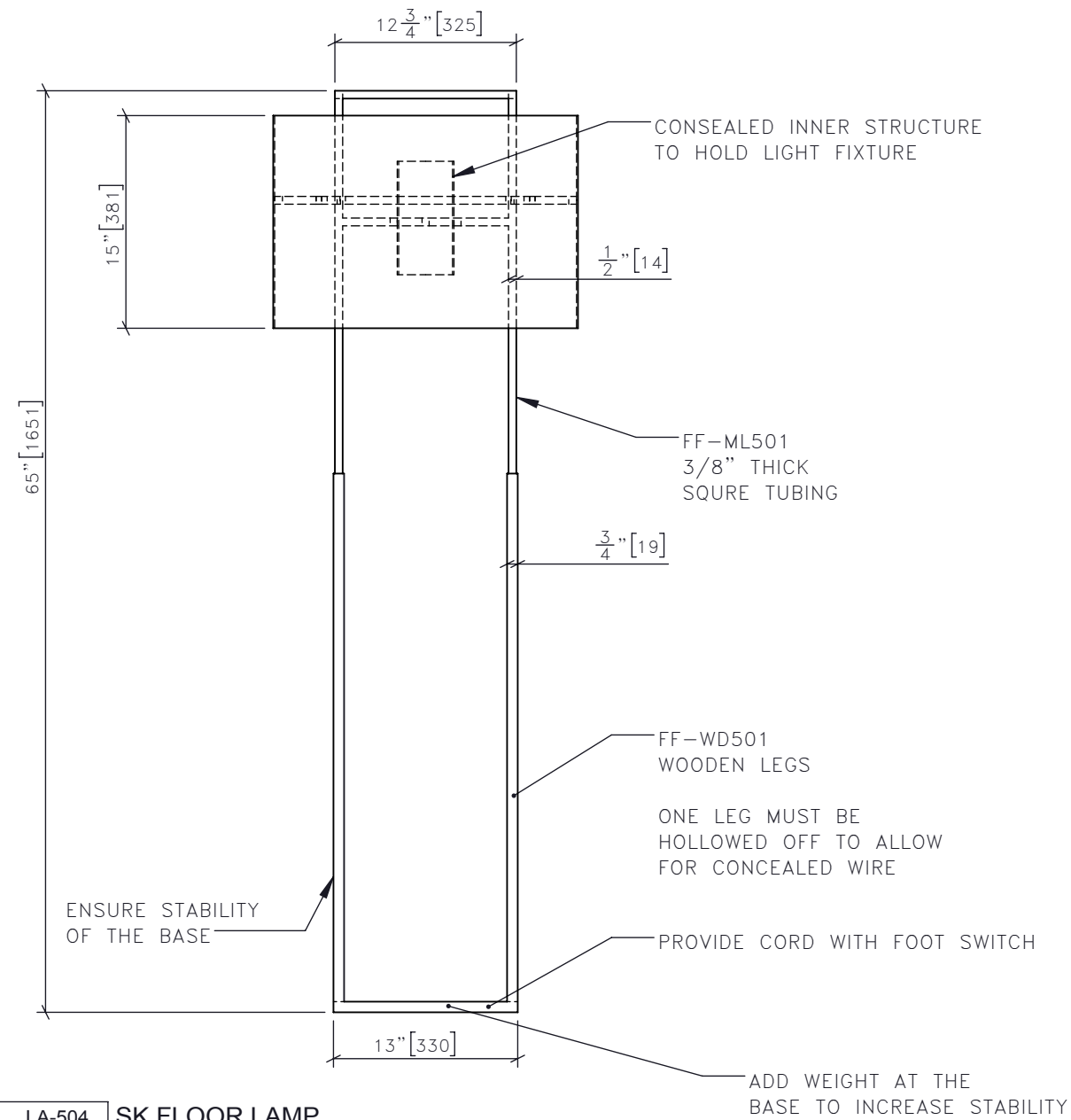
REV	ISSUED FOR	DATE

STUDIO MUNGE
 25 WINGOLD AVENUE
 TORONTO, ONTARIO
 M6B 1P8 CANADA
 416.588.1668
 STUDIOMUNGE.COM

SCALE AS NOTED	DATE 3/27/18
DRAWN BY RC	CHECKED BY
PROJECT NAME PARK HYATT L.A. M.U.R.	
DRAWING TITLE LA-504 SK FLOOR LAMP	
PROJECT NUMBER 14138	
DRAWING NUMBER 1 / 1	



1 | LA-504 | SK FLOOR LAMP
1:12 | PLAN ELEVATION



2 | LA-504 | SK FLOOR LAMP
1:12 | FRONT ELEVATION



3 | LA-504 | SK FLOOR LAMP
1:12 | RENDERED VIEW