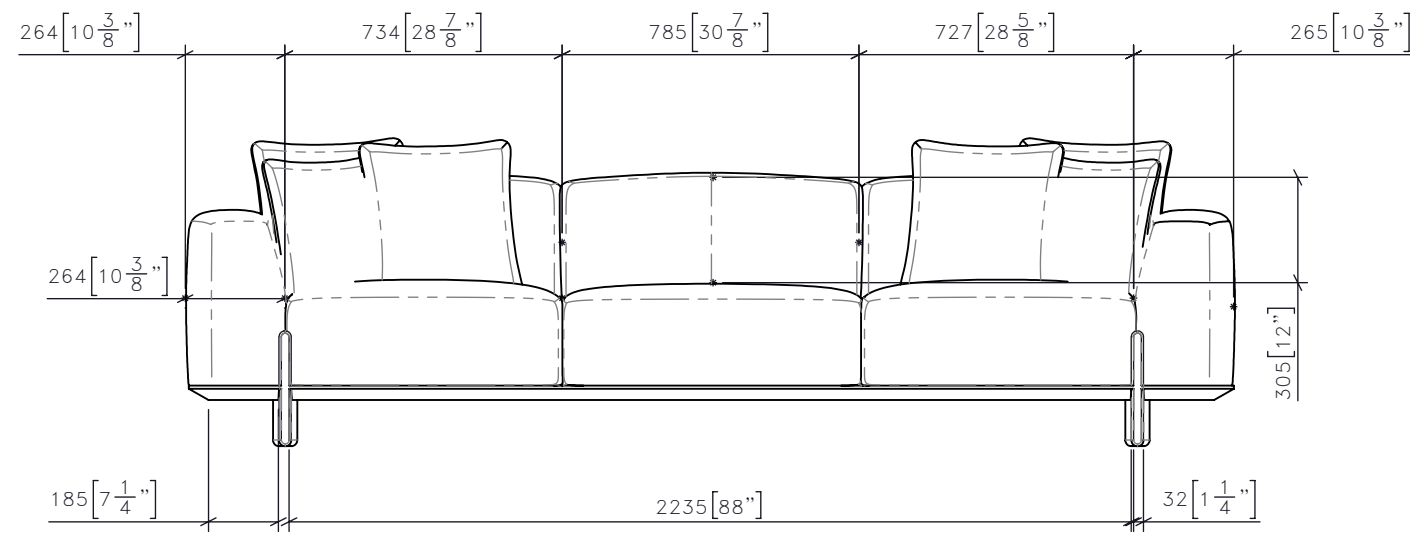


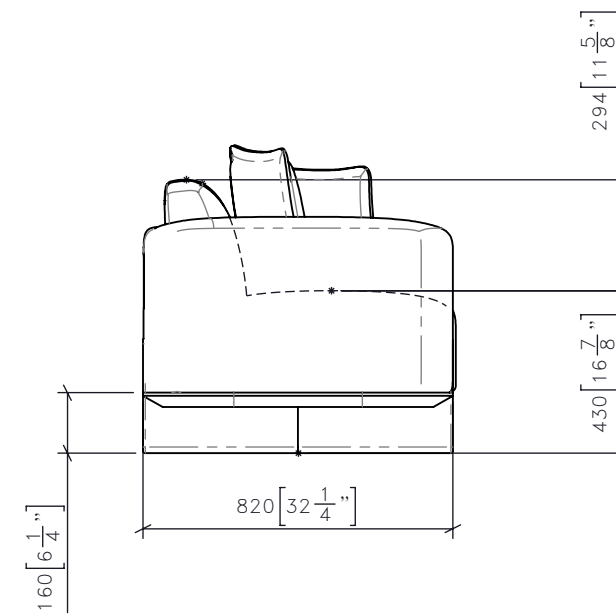
-REV/	-ISSUED FOR	-DATE

STUDIO MUNGE
 25 WINGOLD AVENUE
 TORONTO, ONTARIO
 M6B 1P8 CANADA
 416.588.1668
 STUDIOMUNGE.COM

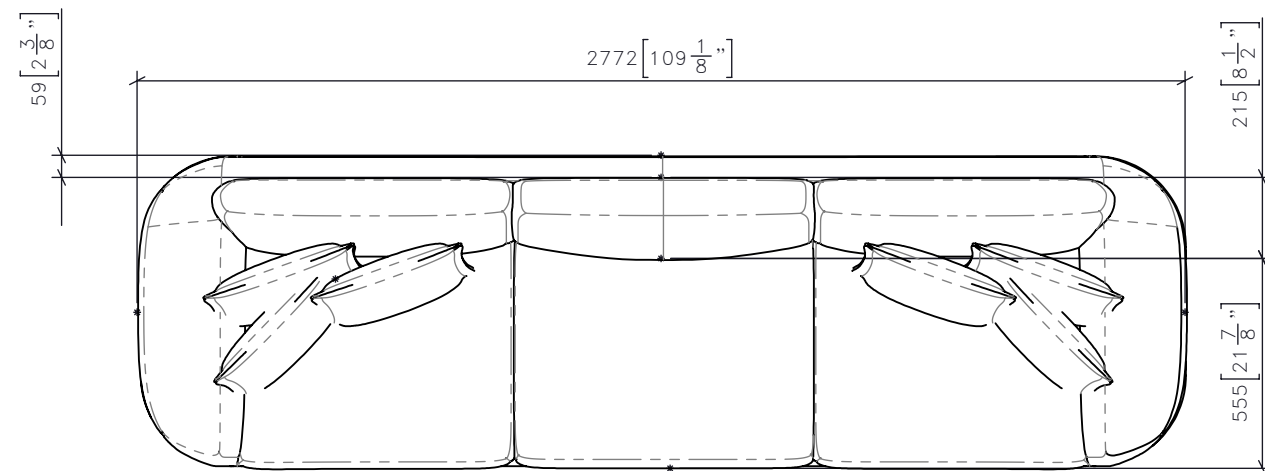
-SCALE AS NOTED	-DATE 2/20/19
-DRAWN BY LS	-CHECKED BY
-PROJECT NAME NOBU	
-DRAWING TITLE CG-XX SOFA	
-PROJECT NUMBER 17141	
-DRAWING NUMBER 1 / 4	



1 | CG-XX | SOFA
1:20 | FRONT ELEVATION



3 | CG-XX | SOFA
1:20 | SIDE ELEVATION



2 | CG-XX | SOFA
1:20 | PLAN

STUDIO MUNGE

FOR DESIGN INTENT ONLY

DRAWING ARE NOT TO BE SCALED. CONTRACTOR MUST CHECK AND VERIFY ALL JOB DIMENSIONS, DRAWINGS, DETAILS AND SPECIFICATIONS; AND REPORT ANY DISCREPANCIES TO DESIGNER BEFORE PROCEEDING WITH WORK.

SGF-XXA
DOWN-FILLED THROW PILLOWS

SGF-XXB
DOWN-FILLED THROW PILLOWS

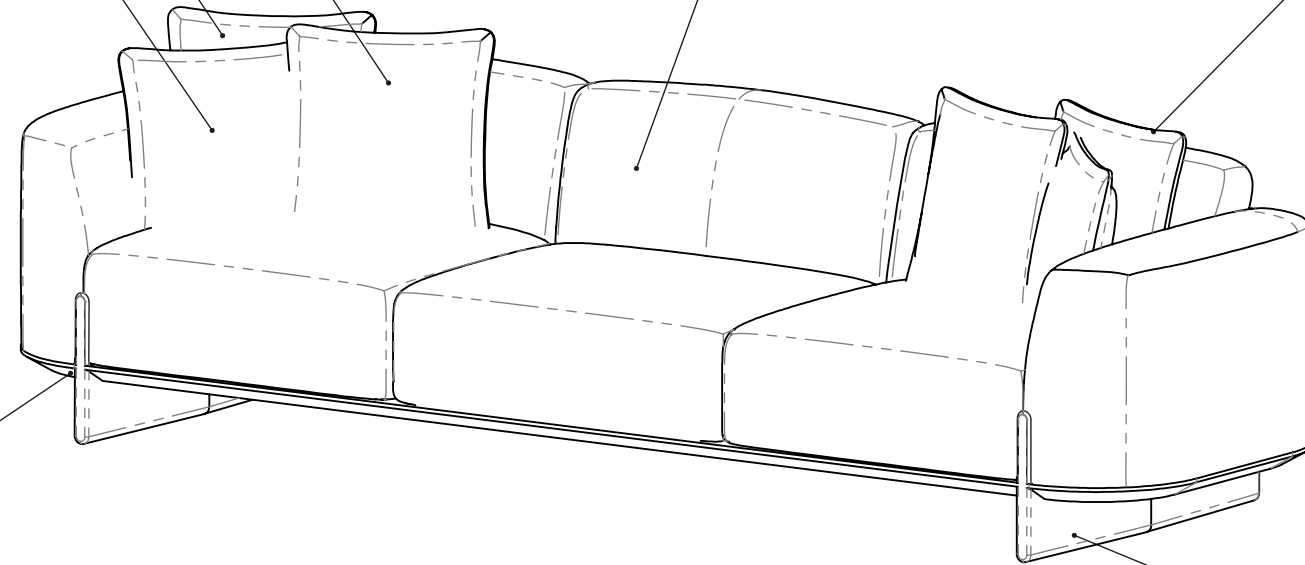
SGF-XXC
DOWN-FILLED THROW PILLOWS

SGF-XXA
TIGHT/TAILORED UPHOLSTERY



PILLOW STITCHING DETAIL

PIPING DETAIL
AROUND EXPOSED LEG



FF-WD-XX
SOLID ASH HARDWOOD
BASE AND LEGS

4 | CG-XX | SOFA
1:15 | ISOMETRIC

-REV/	-ISSUED FOR	-DATE

**STUDIO
MUNGE**
 25 WINGOLD AVENUE
 TORONTO, ONTARIO
 M6B 1P8 CANADA
 416.588.1668
 STUDIOMUNGE.COM

-SCALE AS NOTED	-DATE 2/20/19
-DRAWN BY LS	-CHECKED BY
-PROJECT NAME NOBU	
-DRAWING TITLE CG-XX SOFA	
-PROJECT NUMBER 17141	
-DRAWING NUMBER 2 / 4	

STUDIO MUNGE
Y
E
M
D
C
B
A
Y

FOR DESIGN INTENT ONLY

DRAWING ARE NOT TO BE SCALED. CONTRACTOR MUST CHECK AND VERIFY ALL JOB DIMENSIONS, DRAWINGS, DETAILS AND SPECIFICATIONS; AND REPORT ANY DISCREPANCIES TO DESIGNER BEFORE PROCEEDING WITH WORK.

-REV/	-ISSUED FOR	-DATE



**STUDIO
MUNGE**
25 WINGOLD AVENUE
TORONTO, ONTARIO
M6B 1P8 CANADA
416.588.1668
STUDIOMUNGE.COM

-SCALE
AS NOTED

-DATE
2/20/19

-DRAWN BY
LS

-CHECKED BY

-PROJECT NAME

NOBU

-DRAWING TITLE

CG-XX
SOFA

-PROJECT NUMBER
17141

-DRAWING NUMBER
3 / 4

5 | CG-XX | SOFA
1:15

STUDIO MUNGE
E
D
C
B
A
Y

FOR DESIGN INTENT ONLY

DRAWING ARE NOT TO BE SCALED. CONTRACTOR MUST CHECK AND VERIFY ALL JOB DIMENSIONS, DRAWINGS, DETAILS AND SPECIFICATIONS; AND REPORT ANY DISCREPANCIES TO DESIGNER BEFORE PROCEEDING WITH WORK.

-REV/	-ISSUED FOR	-DATE



**STUDIO
MUNGE**
25 WINGOLD AVENUE
TORONTO, ONTARIO
M6B 1P8 CANADA
416.588.1668
STUDIOMUNGE.COM

-SCALE
AS NOTED

-DATE
2/20/19

-DRAWN BY
LS

-CHECKED BY

-PROJECT NAME

NOBU

-DRAWING TITLE

CG-XX
SOFA

-PROJECT NUMBER
17141

-DRAWING NUMBER
4 / 4

5	CG-XX	SOFA
	1:15	