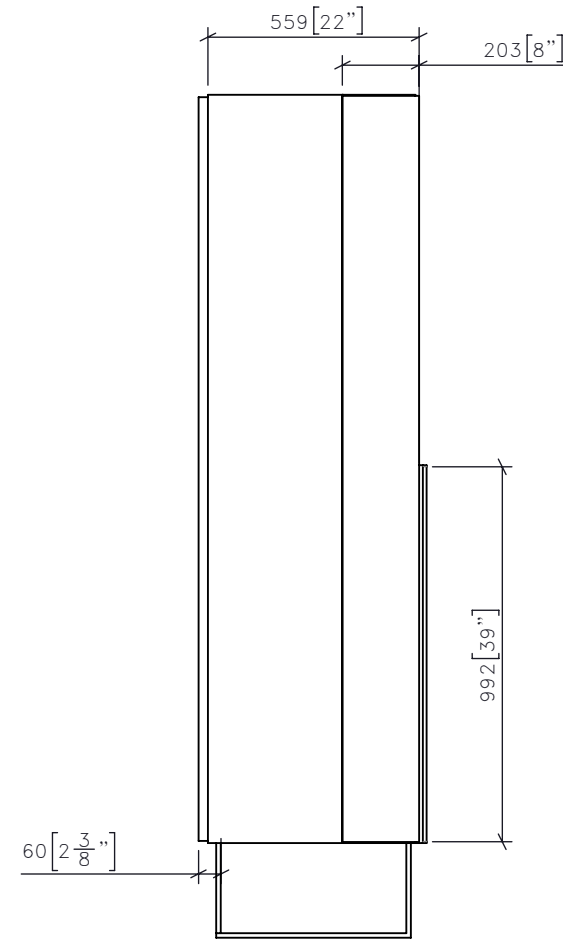
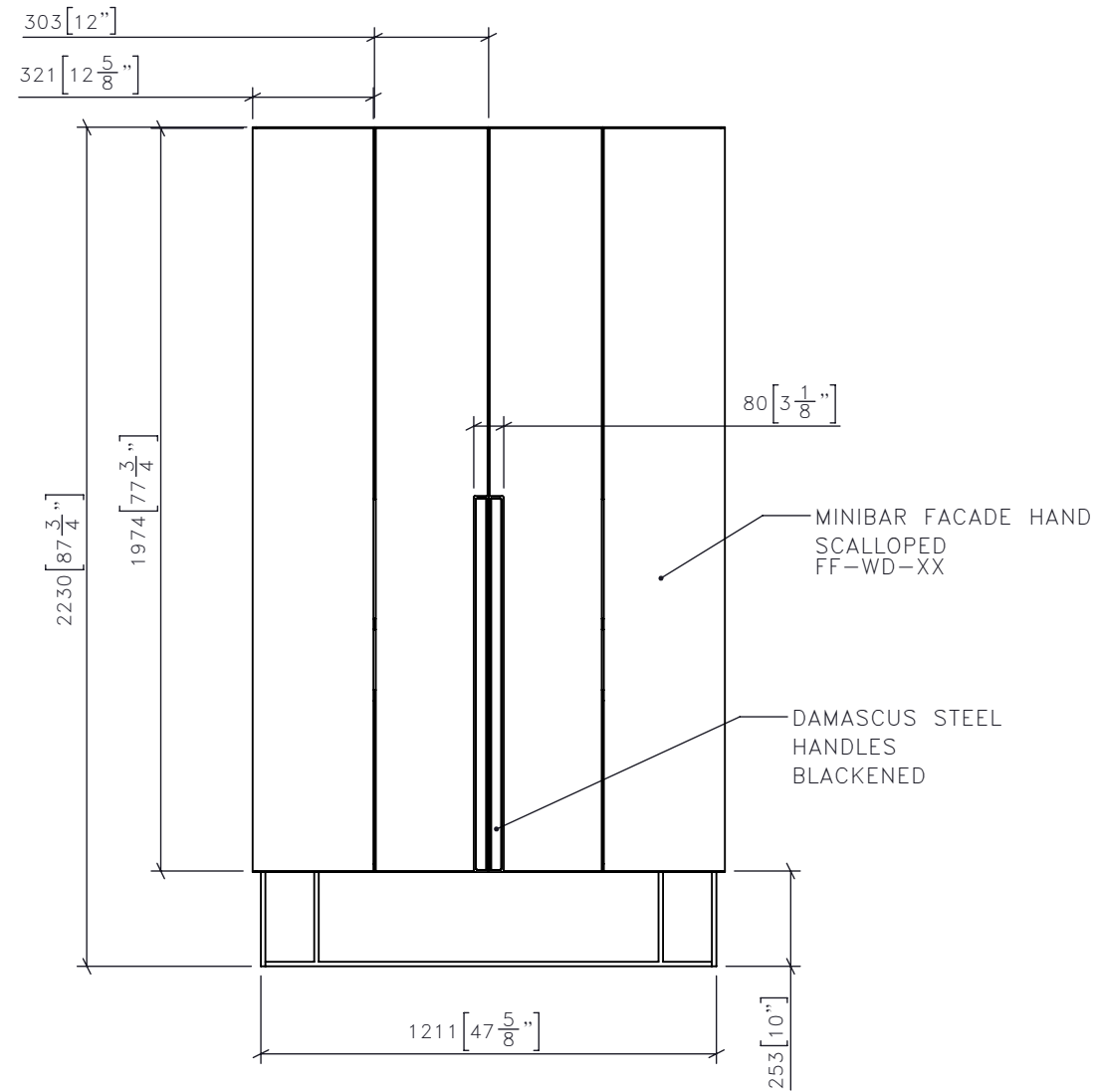


STUDIO MUNGE

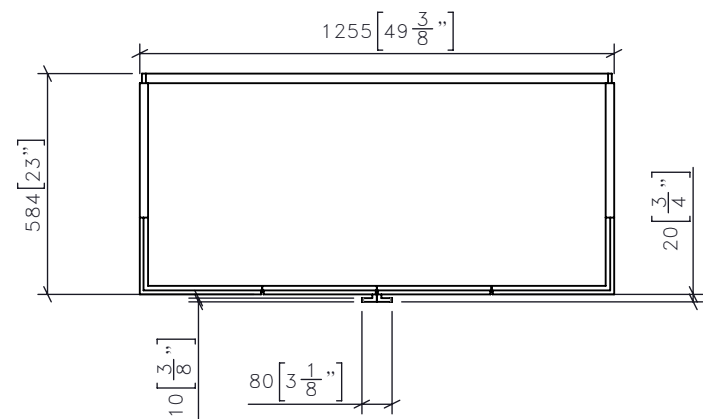
FOR DESIGN INTENT ONLY

DRAWING ARE NOT TO BE SCALED. CONTRACTOR MUST CHECK AND VERIFY ALL JOB DIMENSIONS, DRAWINGS, DETAILS AND SPECIFICATIONS; AND REPORT ANY DISCREPANCIES TO DESIGNER BEFORE PROCEEDING WITH WORK.



1 CG-XX ARMOIRE MINIBAR
1:20 FRONT ELEVATION

3 CG-XX ARMOIRE MINIBAR
1:20 SIDE ELEVATION



2 CG-XX ARMOIRE MINIBAR
1:20 PLAN

-SCALE
AS NOTED

-DATE
7/5/19

-DRAWN BY
LS

-CHECKED BY

-PROJECT NAME

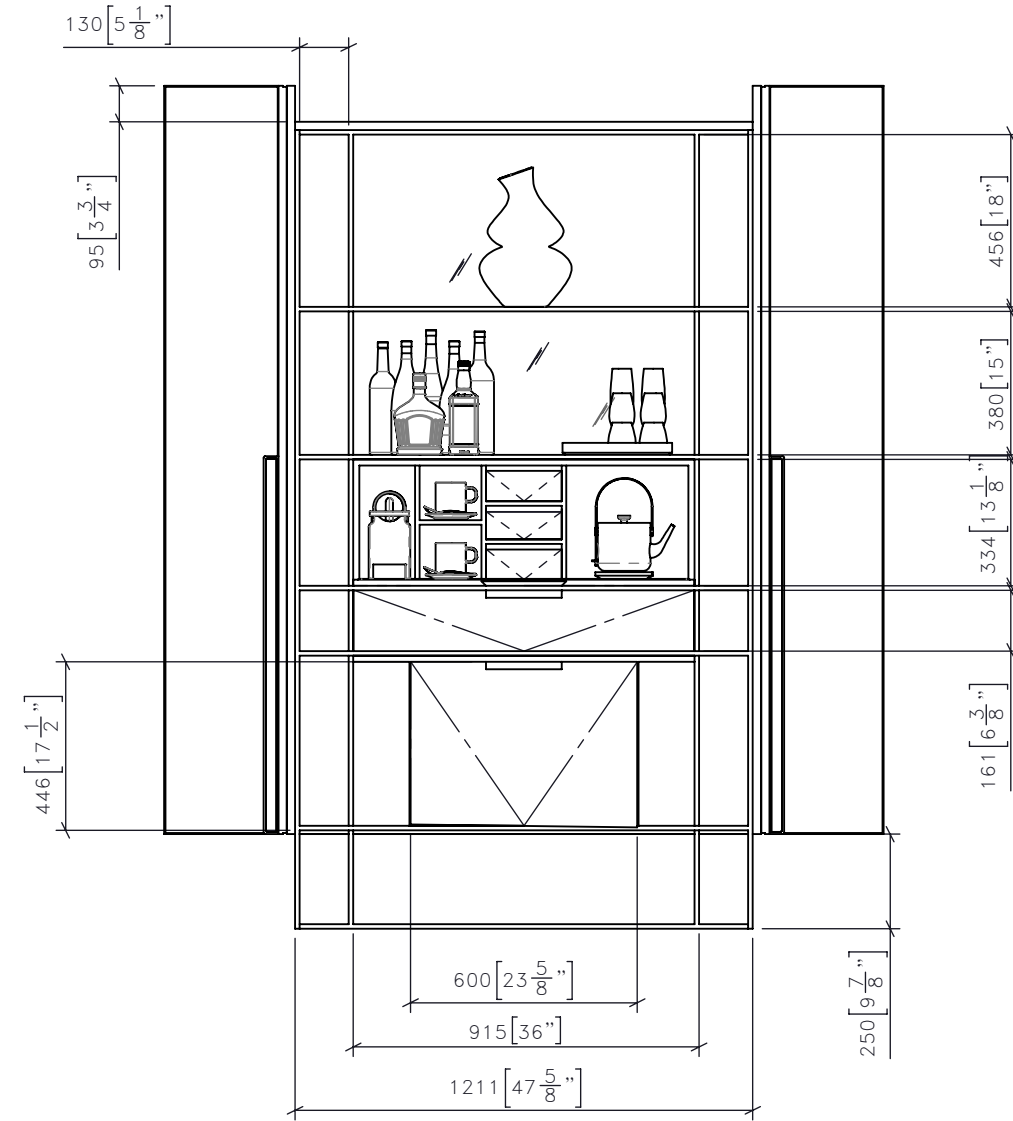
NOBU TORONTO

-DRAWING TITLE

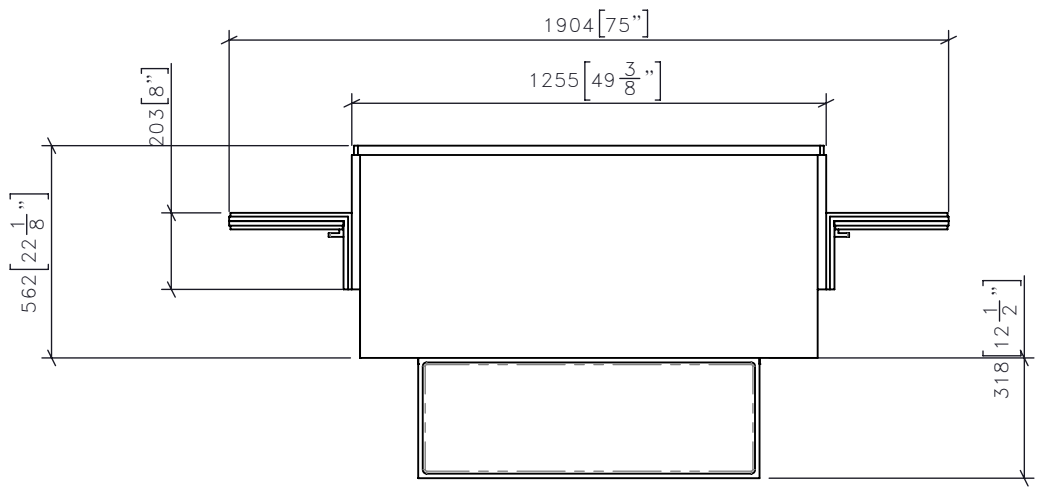
CG-XX
ARMOIRE MINIBAR

-PROJECT NUMBER
17141

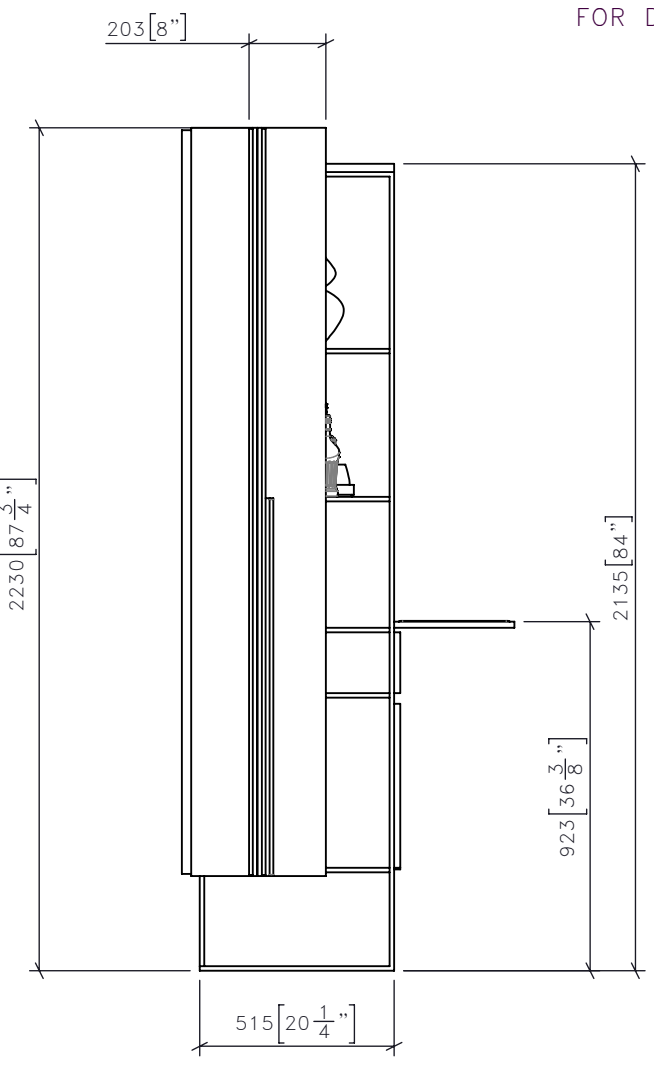
-DRAWING NUMBER
1 / 7



4 CG-XX ARMOIRE MINIBAR
1:20 FRONT ELEVATION (OPEN)



5 CG-XX ARMOIRE MINIBAR
1:20 PLAN (OPEN)



6 CG-XX ARMOIRE MINIBAR
1:20 SIDE ELEVATION (OPEN)

FOR DESIGN INTENT ONLY

DRAWING ARE NOT TO BE SCALED. CONTRACTOR MUST CHECK AND VERIFY ALL JOB DIMENSIONS, DRAWINGS, DETAILS AND SPECIFICATIONS; AND REPORT ANY DISCREPANCIES TO DESIGNER BEFORE PROCEEDING WITH WORK.

-REV/	-ISSUED FOR	-DATE

STUDIO MUNGE
25 WINGOLD AVENUE
TORONTO, ONTARIO
M6B 1P8 CANADA
416.588.1668
STUDIOMUNGE.COM

-SCALE
AS NOTED

-DATE
7/5/19

-DRAWN BY
LS

-CHECKED BY

-PROJECT NAME

NOBU TORONTO

-DRAWING TITLE

CG-XX
ARMOIRE MINIBAR

-PROJECT NUMBER
17141

-DRAWING NUMBER
2 / 7

-REV/	-ISSUED FOR	-DATE



REFERENCE IMAGE B



REFERENCE IMAGE A

BACK LIT LINEN LAMINATED GLASS
REFERENCE IMAGE B.

FF-ML-XX
HAMMERED STEEL FRAME
13MMX13MM

FOLD DOWN TRAY FOR
COFFEE
REF IMAGE A.

FF-WD-XX
INDIGO DYED ASH CASE

FOLD DOWN TRAY FOR TEA
REF IMAGE A.

SOFT-CLOSE DRAWER FOR
GUEST OFFERING
INDIGO LEATHER INTERIOR

DRAWER MINIBAR UNIT
50L

7	CG-XX	ARMOIRE MINIBAR ISOMETRIC DETAIL
	1:15	

**STUDIO
MUNGE** 25 WINGOLD AVENUE
TORONTO, ONTARIO
M6B 1P8 CANADA
416.588.1668
STUDIOMUNGE.COM

-SCALE AS NOTED	-DATE 7/5/19
--------------------	-----------------

-DRAWN BY LS	-CHECKED BY
-----------------	-------------

-PROJECT NAME

NOBU TORONTO

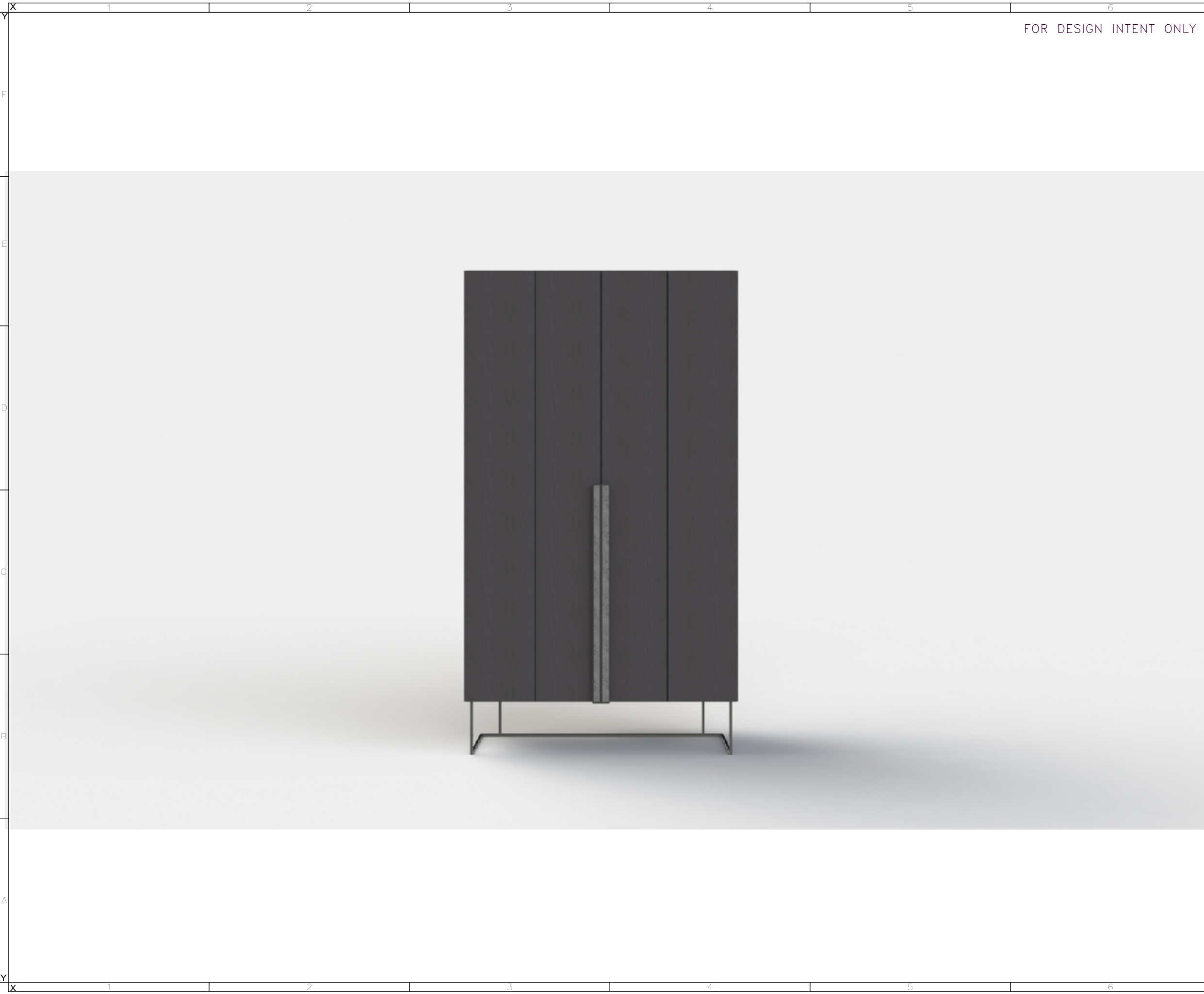
-DRAWING TITLE

CG-XX
ARMOIRE MINIBAR

-PROJECT NUMBER 17141

-DRAWING NUMBER 3 / 7

STUDIO MUNGE
E
D
C
B
A
Y



FOR DESIGN INTENT ONLY

DRAWING ARE NOT TO BE SCALED. CONTRACTOR MUST CHECK AND VERIFY ALL JOB DIMENSIONS, DRAWINGS, DETAILS AND SPECIFICATIONS; AND REPORT ANY DISCREPANCIES TO DESIGNER BEFORE PROCEEDING WITH WORK.

-REV/	-ISSUED FOR	-DATE

**STUDIO
MUNGE**
25 WINGOLD AVENUE
TORONTO, ONTARIO
M6B 1P8 CANADA
416.588.1668
STUDIOMUNGE.COM

-SCALE
AS NOTED

-DATE
7/5/19

-DRAWN BY
LS

-CHECKED BY

-PROJECT NAME
NOBU TORONTO

-DRAWING TITLE
CG-XX
ARMOIRE MINIBAR

-PROJECT NUMBER
17141

-DRAWING NUMBER
4 / 7

STUDIO MUNGE
Y
E
D
C
B
A
Y

1 2 3 4 5 6

FOR DESIGN INTENT ONLY

DRAWING ARE NOT TO BE SCALED. CONTRACTOR MUST CHECK AND VERIFY ALL JOB DIMENSIONS, DRAWINGS, DETAILS AND SPECIFICATIONS; AND REPORT ANY DISCREPANCIES TO DESIGNER BEFORE PROCEEDING WITH WORK.

-REV/	-ISSUED FOR	-DATE



**STUDIO
MUNGE**
25 WINGOLD AVENUE
TORONTO, ONTARIO
M6B 1P8 CANADA
416.588.1668
STUDIOMUNGE.COM

-SCALE
AS NOTED

-DATE
7/5/19

-DRAWN BY
LS

-CHECKED BY

-PROJECT NAME
NOBU TORONTO

-DRAWING TITLE
CG-XX
ARMOIRE MINIBAR

-PROJECT NUMBER
17141

-DRAWING NUMBER
5 / 7

1 2 3 4 5 6

STUDIO MUNGE
Y
E
M
D
C
B
A
Y

1 2 3 4 5 6

FOR DESIGN INTENT ONLY

DRAWING ARE NOT TO BE SCALED. CONTRACTOR MUST CHECK AND VERIFY ALL JOB DIMENSIONS, DRAWINGS, DETAILS AND SPECIFICATIONS; AND REPORT ANY DISCREPANCIES TO DESIGNER BEFORE PROCEEDING WITH WORK.

-REV/	-ISSUED FOR	-DATE



**STUDIO
MUNGE**
25 WINGOLD AVENUE
TORONTO, ONTARIO
M6B 1P8 CANADA
416.588.1668
STUDIOMUNGE.COM

-SCALE AS NOTED	-DATE 7/5/19
-DRAWN BY LS	-CHECKED BY
-PROJECT NAME NOBU TORONTO	
-DRAWING TITLE CG-XX ARMOIRE MINIBAR	
-PROJECT NUMBER 17141	
-DRAWING NUMBER 6 / 7	

1 2 3 4 5 6

STUDIO MUNGE
Y
M
D
C
B
A
X

1 2 3 4 5 6

FOR DESIGN INTENT ONLY

DRAWING ARE NOT TO BE SCALED. CONTRACTOR MUST CHECK AND VERIFY ALL JOB DIMENSIONS, DRAWINGS, DETAILS AND SPECIFICATIONS; AND REPORT ANY DISCREPANCIES TO DESIGNER BEFORE PROCEEDING WITH WORK.

-REV/	-ISSUED FOR	-DATE



**STUDIO
MUNGE**
25 WINGOLD AVENUE
TORONTO, ONTARIO
M6B 1P8 CANADA
416.588.1668
STUDIOMUNGE.COM

-SCALE
AS NOTED

-DATE
7/5/19

-DRAWN BY
LS

-CHECKED BY

-PROJECT NAME

NOBU TORONTO

-DRAWING TITLE

CG-XX
ARMOIRE MINIBAR

-PROJECT NUMBER
17141

-DRAWING NUMBER
7 / 7

1 2 3 4 5 6