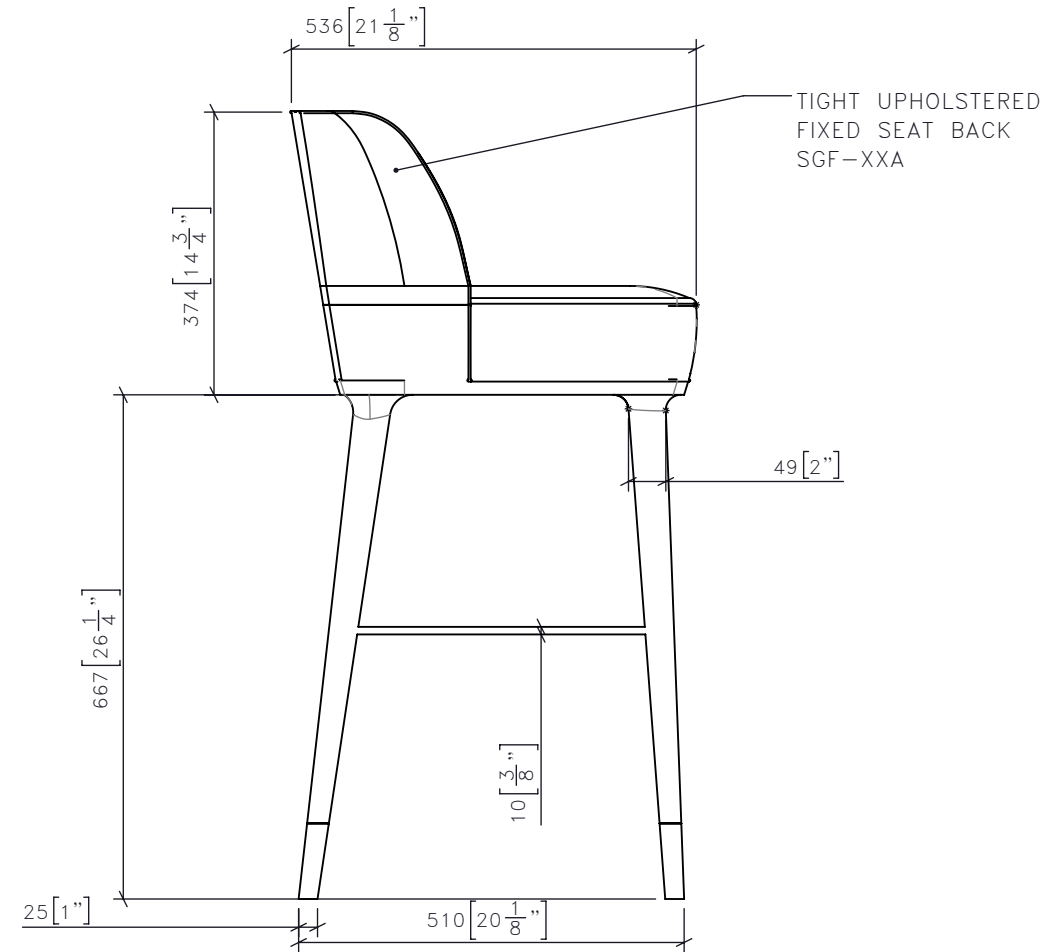
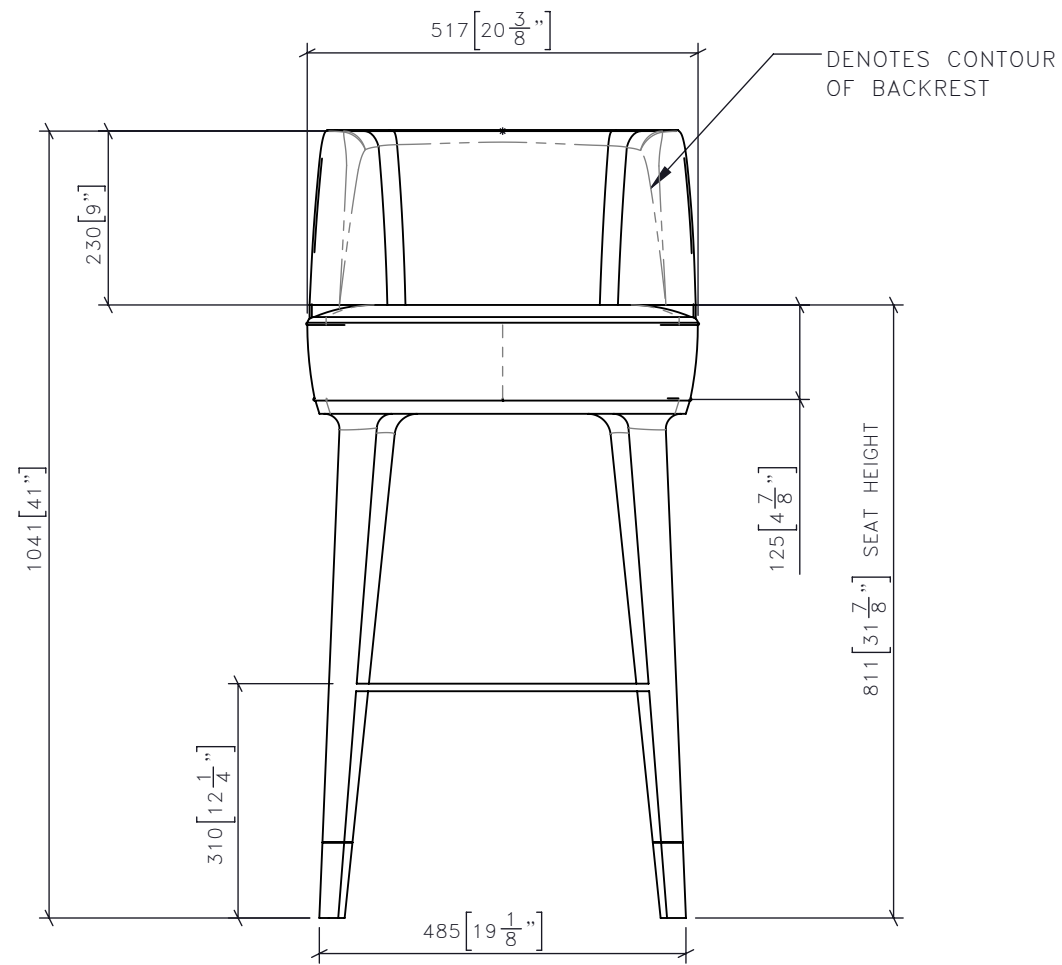


FOR DESIGN INTENT ONLY

DRAWING ARE NOT TO BE SCALED. CONTRACTOR MUST CHECK AND VERIFY ALL JOB DIMENSIONS, DRAWINGS, DETAILS AND SPECIFICATIONS; AND REPORT ANY DISCREPANCIES TO DESIGNER BEFORE PROCEEDING WITH WORK.

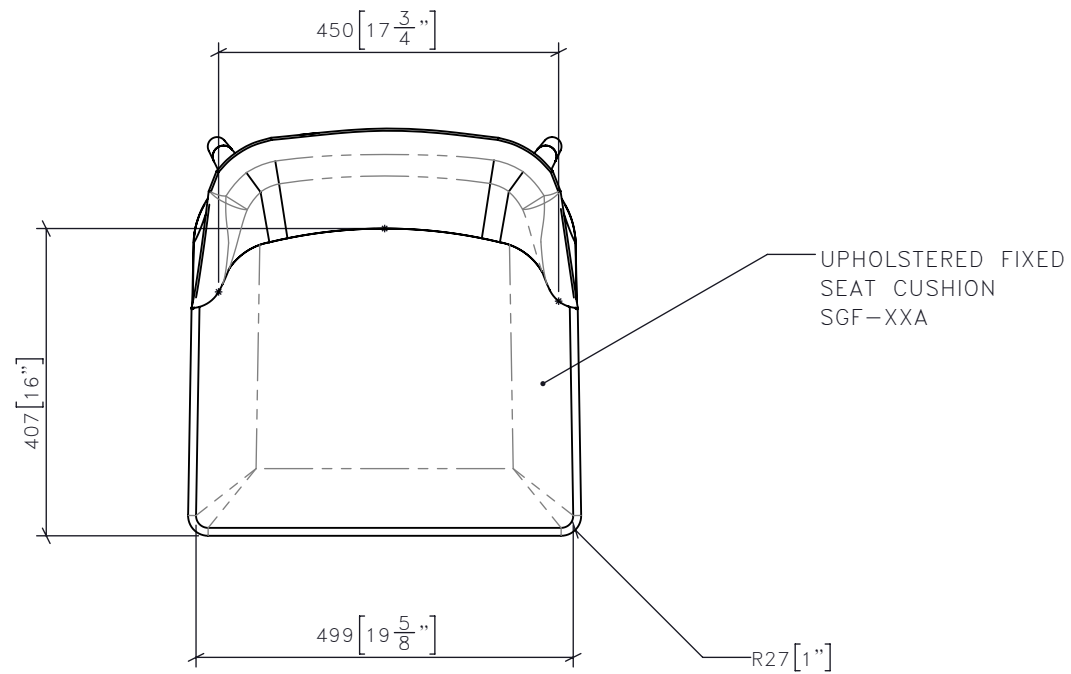


-REV/	-ISSUED FOR	-DATE

STUDIO MUNGE
 25 WINGOLD AVENUE
 TORONTO, ONTARIO
 M6B 1P8 CANADA
 416.588.1668
 STUDIOMUNGE.COM

1 CG-XX
1:10 ITEM DESCRIPTION
FRONT ELEVATION

3 CG-XX
1:10 ITEM DESCRIPTION
SIDE ELEVATION



2 CG-XX
1:10 ITEM DESCRIPTION
PLAN

-SCALE AS NOTED	-DATE 1/8/18
-DRAWN BY RC	-CHECKED BY
-PROJECT NAME	
PROJECT TITLE	
-DRAWING TITLE	
CG-XX ITEM DESCRIPTION	
-PROJECT NUMBER XXXXXX	
-DRAWING NUMBER 1 / 2	

STUDIO MUNGE
Y
E
M
D
C
B
A
Y

FOR DESIGN INTENT ONLY

DRAWING ARE NOT TO BE SCALED. CONTRACTOR MUST CHECK AND VERIFY ALL JOB DIMENSIONS, DRAWINGS, DETAILS AND SPECIFICATIONS; AND REPORT ANY DISCREPANCIES TO DESIGNER BEFORE PROCEEDING WITH WORK.

-REV/	-ISSUED FOR	-DATE



**STUDIO
MUNGE**
25 WINGOLD AVENUE
TORONTO, ONTARIO
M6B 1P8 CANADA
416.588.1668
STUDIOMUNGE.COM

-SCALE
AS NOTED

-DATE
1/8/18

-DRAWN BY
AM

-CHECKED BY

-PROJECT NAME

PROJECT TITLE

-DRAWING TITLE

CG-XX
ITEM DESCRIPTION

-PROJECT NUMBER
XXXXXX

-DRAWING NUMBER
2 / 2