

STUDIO MUNGE

CASE GOODS INSTRUCTONS:

- DRAWINGS PROVIDED ARE FOR DESIGN INTENT ONLY
- SUBMITTAL OF SHOP DRAWINGS, FINISH SAMPLES, AND/OR PROTOTYPE TO STUDIO MUNGE FOR REVIEW AND WRITTEN APPROVAL IS REQUIRED FOR ALL PIECES SUPPLIED BY INDICATED VENDOR OR OTHER.
- PROVIDE CONTRACT QUALITY LOW PROFILE LEVELERS AS REQUIRED
- PROVIDE CONTRACT QUALITY LOW PROFILE GLIDES TO PROTECT FLOOR FROM SCRATCHING
- PROVIDE CONTRACT QUALITY UNDER-MOUNTED SOFT CLOSE SLIDES FOR PULL OUT COMPONENTS UNLESS OTHERWISE SPECIFIED
- PROVIDE CONTRACT QUALITY SOFT CLOSE HINGED UNLESS OTHERWISE SPECIFIED
- REFER TO DRAWINGS FOR DETAILS
- BLOCKING TO BE COORDINATED ONSITE TO PREVENT TIPPING
- INTEGRATED LIGHTING TO BE COORDINATED WITH ELECTRICAL ENGINEER
- HARDWARE TO BE CONTRACT GRADE AND REVIEWED BY SM FOR APPROVAL
- WOOD CONSTRUCTION IS TO BE SELECTED, SEASONED, FREE OF KNOTS, FREE OF WORMS AND VERMIN, AND KILN-DRIED TO A MOISTURE CONTENT NOT TO EXCEED 7%. IF IMPORTED, FUMIGATION MAY BE REQUIRED DEPENDING ON COUNTRY OF ORIGIN AND CERTIFICATE
- ALL WELDS ON METAL TO BE GROUND SMOOTH AND CLEAN
- PURCHASING AGENT TO SUBMIT ALL NEW SUBSTITUTIONS TO STUDIO MUNGE FOR WRITTEN APPROVAL PRIOR TO MANUFACTURING AND PURCHASING

EQUIPMENT CODE	EQUIPMENT DESCRIPTION	QTY

DRAWING ARE NOT TO BE SCALED. CONTRACTOR MUST CHECK AND VERIFY ALL JOB DIMENSIONS, DRAWINGS, DETAILS AND SPECIFICATIONS; AND REPORT ANY DISCREPANCIES TO DESIGNER BEFORE PROCEEDING WITH WORK.

-REV/	-ISSUED FOR	-DATE

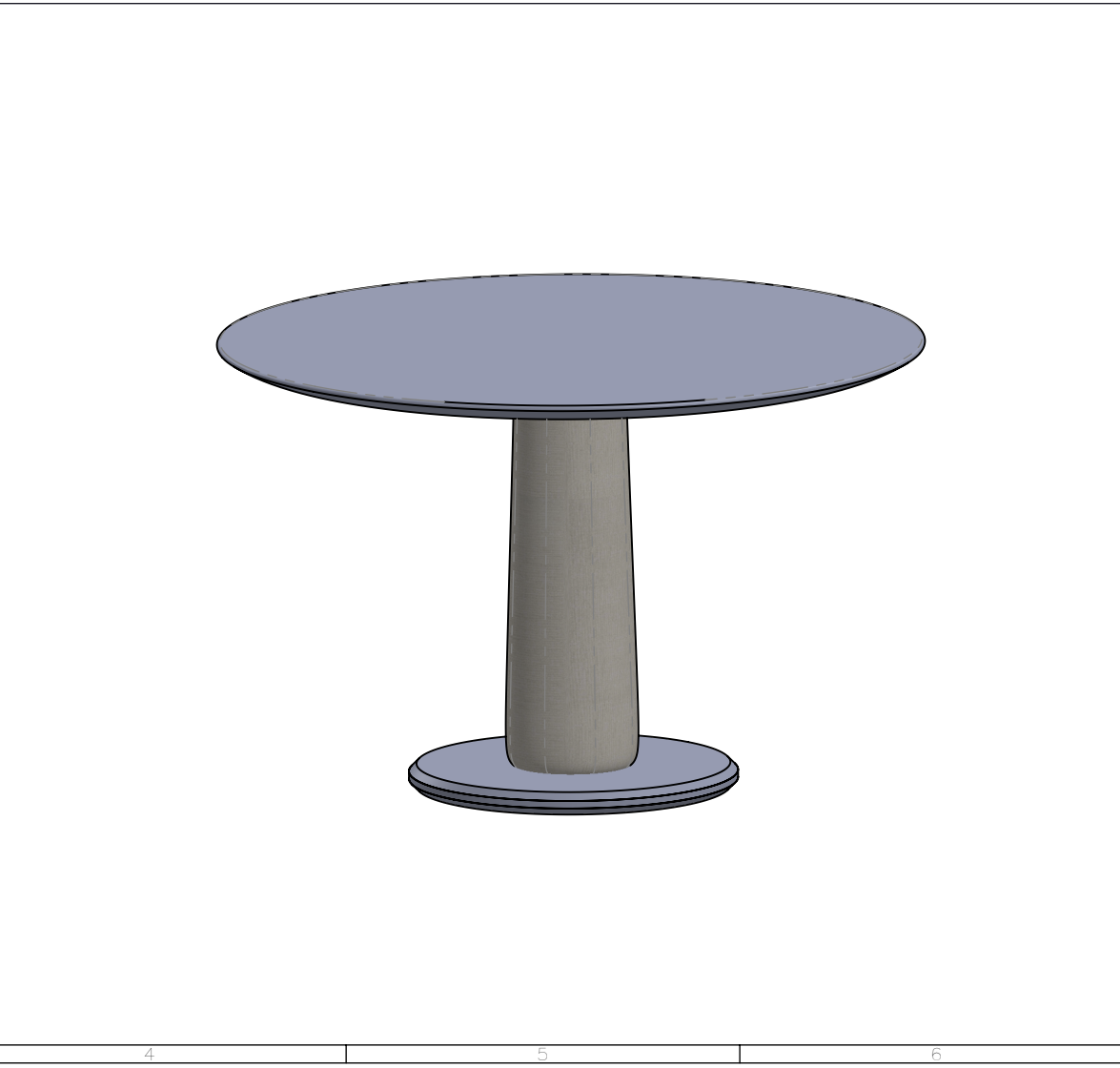
MATERIAL INSTRUCTONS:

- MATERIALS TO BE OUTDOOR GRADE WHEN REQUIRED AND SPECIFIED IN DRAWINGS AND ORDER
- REFER TO DRAWINGS FOR GRAIN DIRECTION WHEN APPLICABLE

REQUIRED ITEM(S) FOR DESIGNER APPROVAL PRIOR TO FABRICATION

SEAMING DIAGRAM
 SHOP DRAWINGS
 PROTOTYPE
 FINISH SAMPLE

MATERIAL CODE	DESCRIPTION	COLOR/FINISH



STUDIO MUNGE

25 WINGOLD AVENUE
 TORONTO, ONTARIO
 M6B 1P8 CANADA
 416.588.1668
 STUDIOMUNGE.COM

-SCALE
AS NOTED

-DATE
7/14/20

-DRAWN BY
EP

-CHECKED BY

-PROJECT NAME

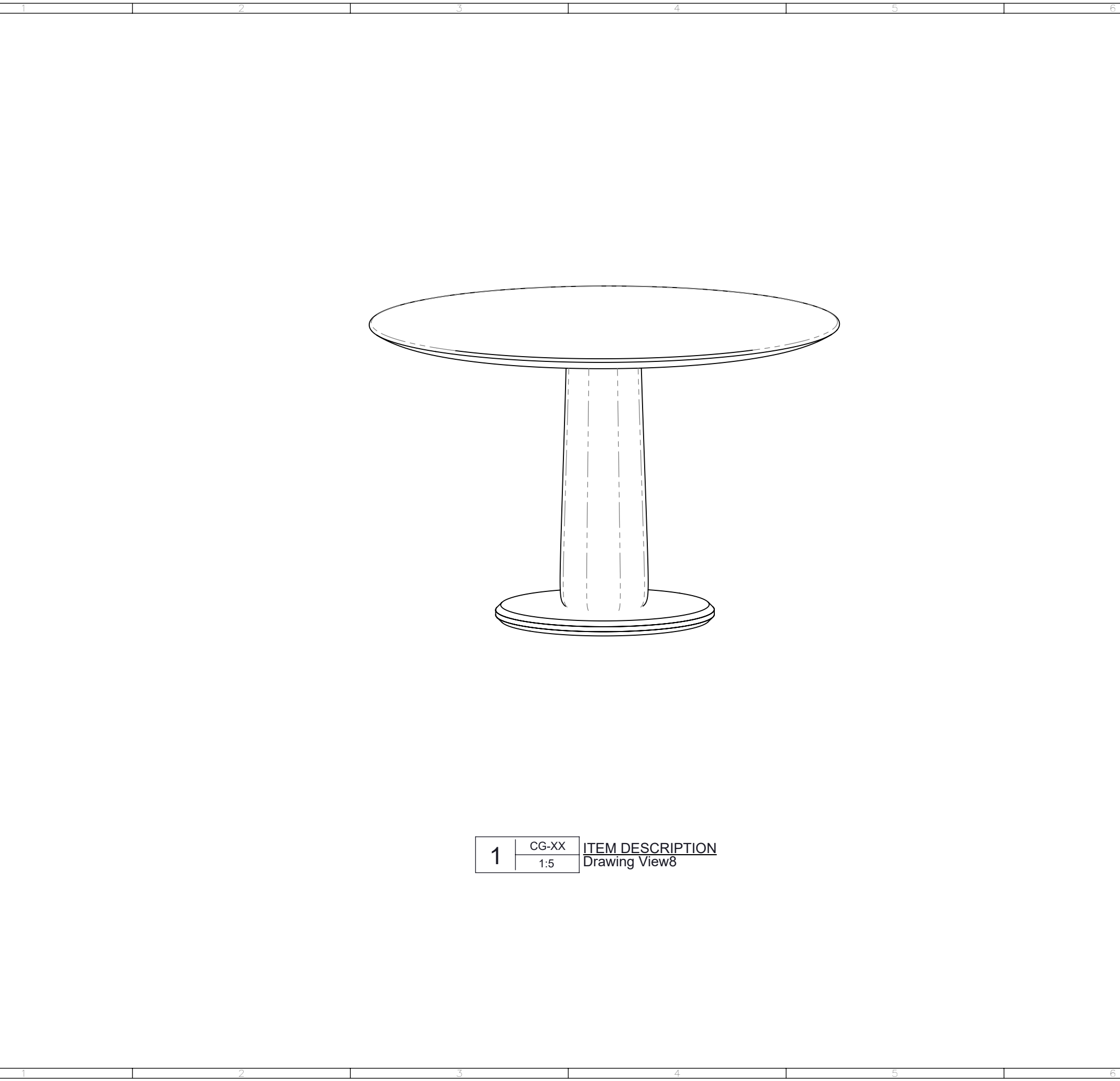
PROJECT TITLE

-DRAWING TITLE
CG-XX
ITEM DESCRIPTION

-PROJECT NUMBER
XXXXXX

-DRAWING NUMBER
1 / 4

STUDIO MUNGE
X
Y
A
B
C
D
E
F
G
H
I
J
K
L
M
N
O
P
Q
R
S
T
U
V
W
X
Y
Z



DRAWING ARE NOT TO BE SCALED. CONTRACTOR MUST CHECK AND VERIFY ALL JOB DIMENSIONS, DRAWINGS, DETAILS AND SPECIFICATIONS; AND REPORT ANY DISCREPANCIES TO DESIGNER BEFORE PROCEEDING WITH WORK.

-REV/	-ISSUED FOR	-DATE

STUDIO MUNGE
25 WINGOLD AVENUE
TORONTO, ONTARIO
M6B 1P8 CANADA
416.588.1668
STUDIOMUNGE.COM

-SCALE
AS NOTED

-DATE
7/14/20

-DRAWN BY
EP

-CHECKED BY

-PROJECT NAME

PROJECT TITLE

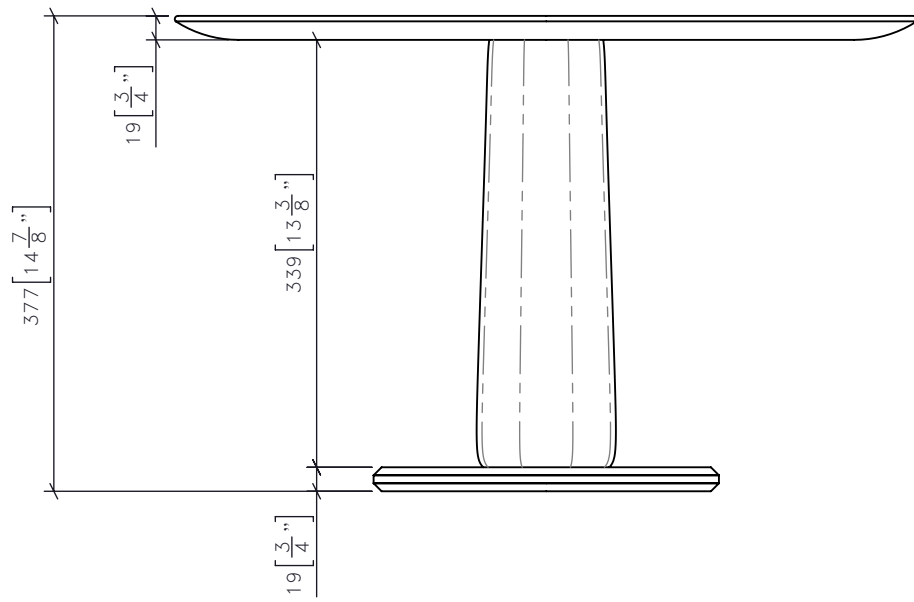
-DRAWING TITLE

CG-XX
ITEM DESCRIPTION

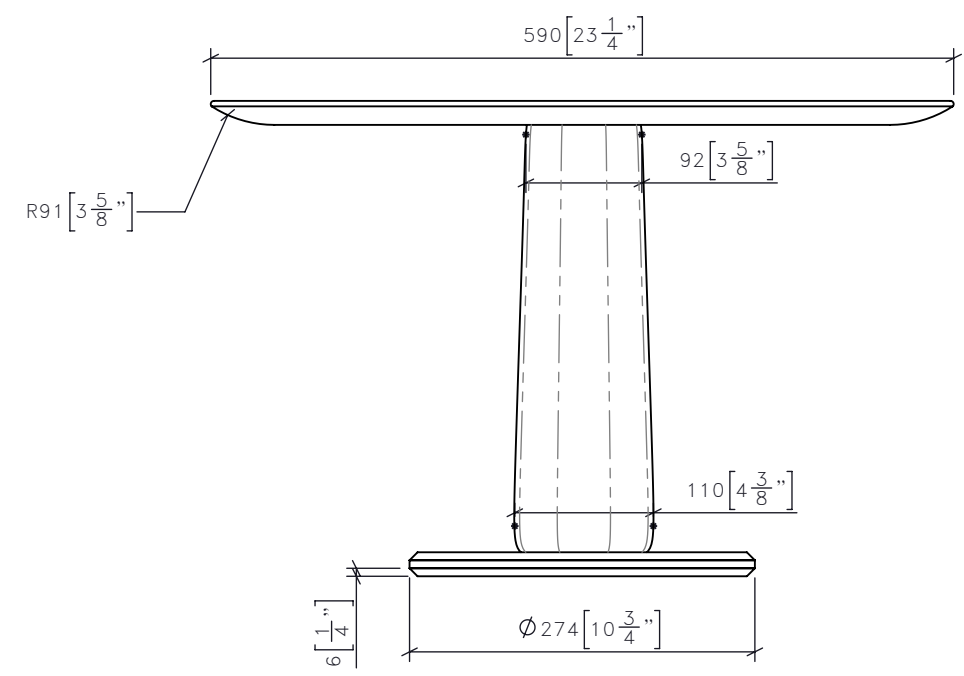
-PROJECT NUMBER
XXXXXX

-DRAWING NUMBER
2 / 4

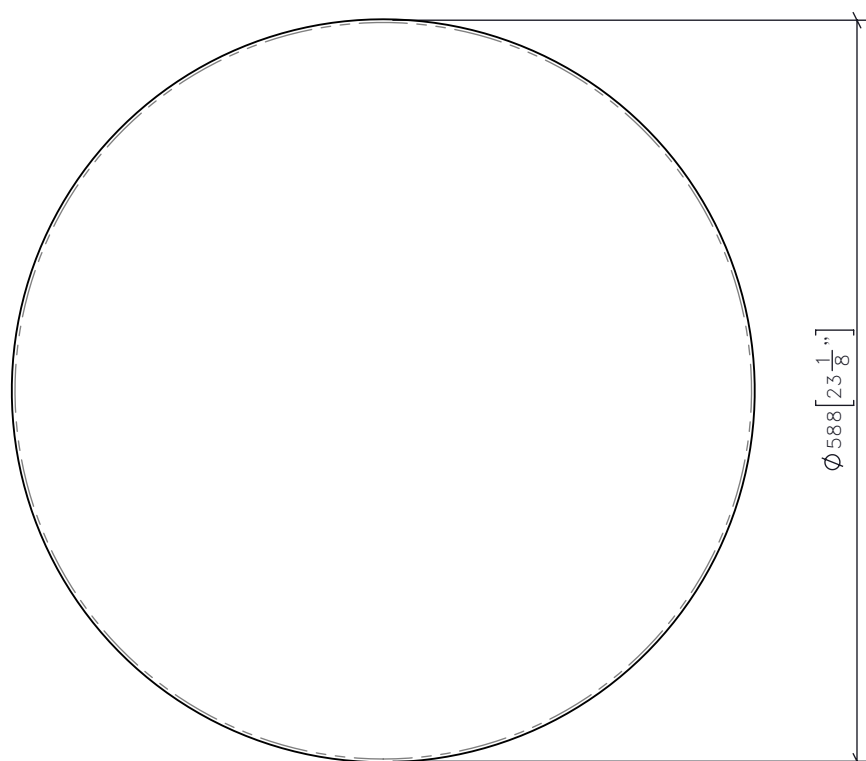
1	CG-XX	ITEM DESCRIPTION Drawing View8
	1:5	



3 CG-XX
1:6 ITEM DESCRIPTION
FRONT ELEVATION



5 CG-XX
1:6 ITEM DESCRIPTION
SIDE ELEVATION



4 CG-XX
1:6 ITEM DESCRIPTION
PLAN

DRAWING ARE NOT TO BE SCALED. CONTRACTOR MUST CHECK AND VERIFY ALL JOB DIMENSIONS, DRAWINGS, DETAILS AND SPECIFICATIONS; AND REPORT ANY DISCREPANCIES TO DESIGNER BEFORE PROCEEDING WITH WORK.

-REV/	-ISSUED FOR	-DATE

STUDIO MUNGE
25 WINGOLD AVENUE
TORONTO, ONTARIO
M6B 1P8 CANADA
416.588.1668
STUDIOMUNGE.COM

-SCALE
AS NOTED

-DATE
7/14/20

-DRAWN BY
EP

-CHECKED BY

-PROJECT NAME

PROJECT TITLE

-DRAWING TITLE

CG-XX
ITEM DESCRIPTION

-PROJECT NUMBER
XXXXXX

-DRAWING NUMBER
3 / 4

S.T.U.D.I.O M.U.N.G.E

E

D

C

B

A

Y

1

2

3

4

5

6

DRAWING ARE NOT TO BE SCALED. CONTRACTOR MUST CHECK AND VERIFY ALL JOB DIMENSIONS, DRAWINGS, DETAILS AND SPECIFICATIONS; AND REPORT ANY DISCREPANCIES TO DESIGNER BEFORE PROCEEDING WITH WORK.

-REV/	-ISSUED FOR	-DATE

STUDIO MUNGE
 25 WINGOLD AVENUE
 TORONTO, ONTARIO
 M6B 1P8 CANADA
 416.588.1668
 STUDIOMUNGE.COM

-SCALE
AS NOTED

-DATE
7/14/20

-DRAWN BY
EP

-CHECKED BY

-PROJECT NAME

PROJECT TITLE

-DRAWING TITLE

CG-XX
ITEM DESCRIPTION

-PROJECT NUMBER

XXXXXX

-DRAWING NUMBER

4 / 4