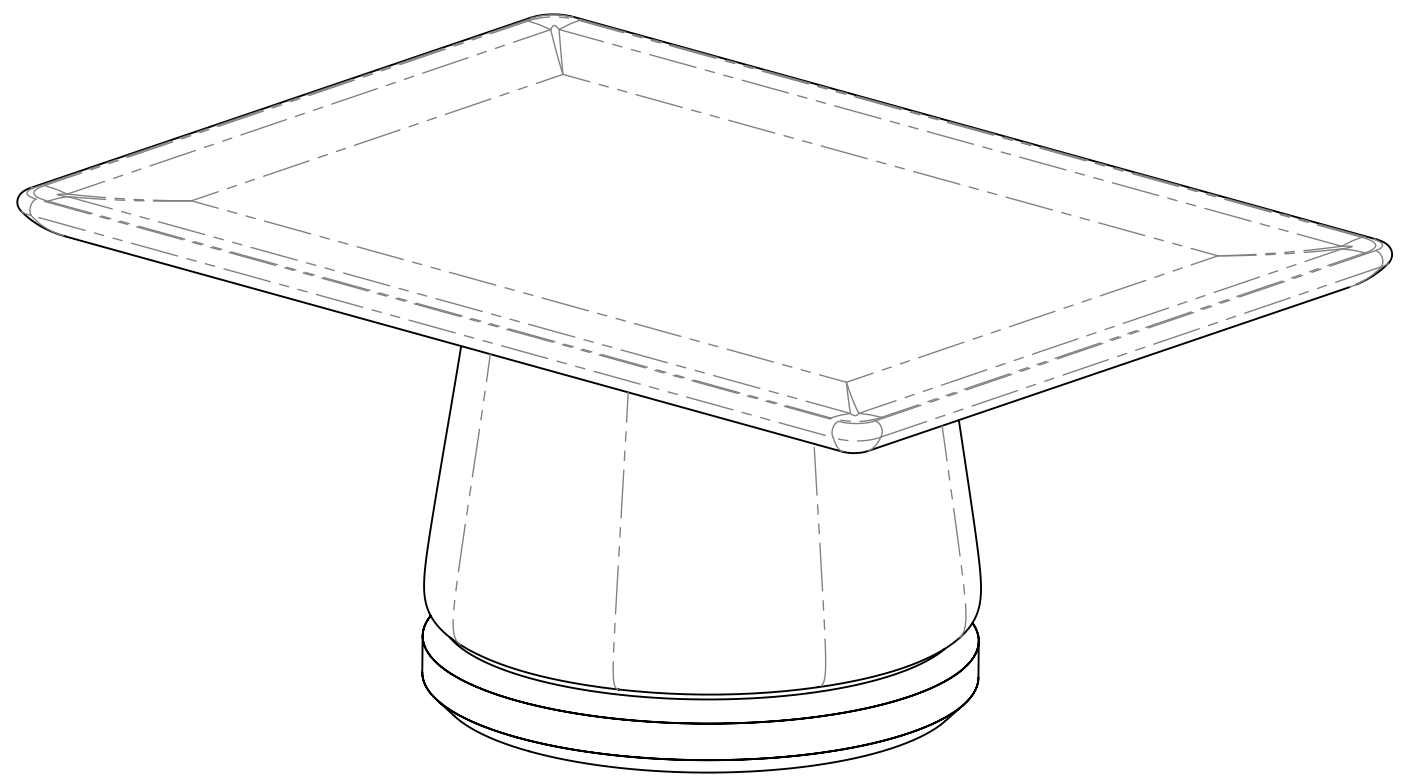


STUDIO MUNGE
Y
M
D
C
B
A
X

1 2 3 4 5 6



DRAWING ARE NOT TO BE SCALED. CONTRACTOR MUST CHECK AND VERIFY ALL JOB DIMENSIONS, DRAWINGS, DETAILS AND SPECIFICATIONS; AND REPORT ANY DISCREPANCIES TO DESIGNER BEFORE PROCEEDING WITH WORK.

-REV/	-ISSUED FOR	-DATE

STUDIO MUNGE
25 WINGOLD AVENUE
TORONTO, ONTARIO
M6B 1P8 CANADA
416.588.1668
STUDIOMUNGE.COM

-SCALE
AS NOTED

-DATE
7/14/20

-DRAWN BY
EP

-CHECKED BY

-PROJECT NAME

AM COLLECTION

-DRAWING TITLE

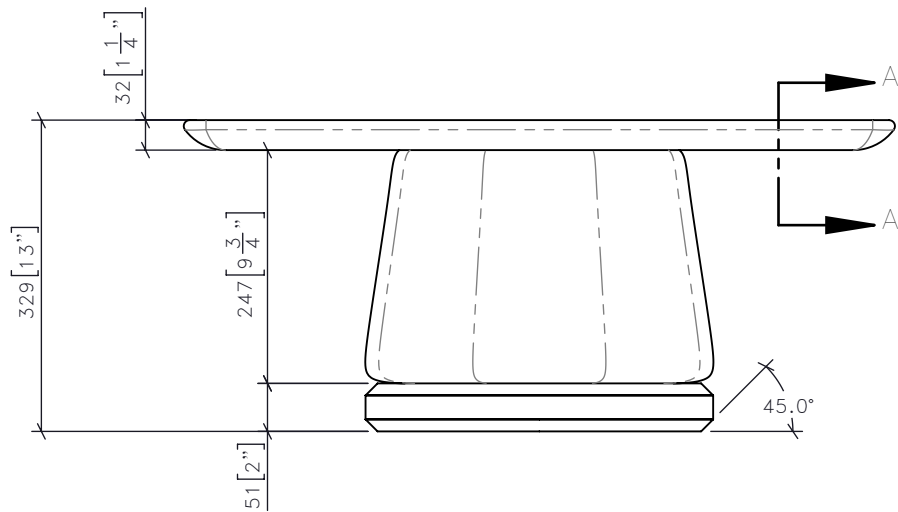
EARTH
RECTANGULAR COFFEE TABLE

-PROJECT NUMBER
XXXXXX

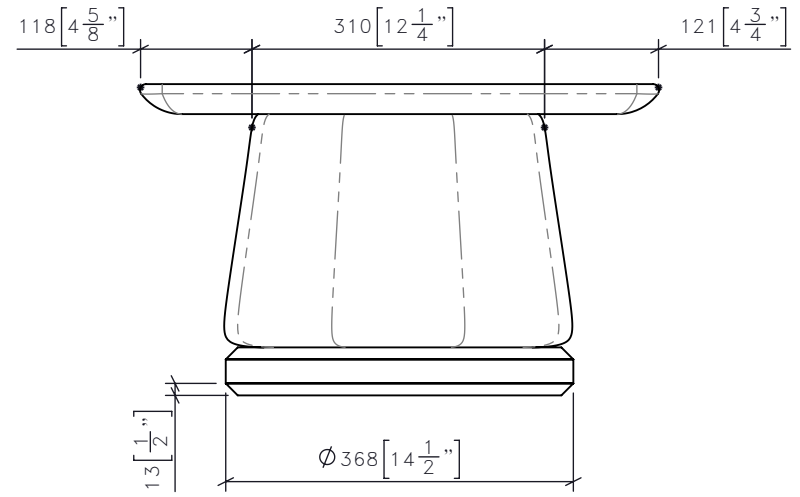
-DRAWING NUMBER
2 / 4

1	EARTH	RECTANGULAR COFFEE TABLE Drawing View8
	1:5	

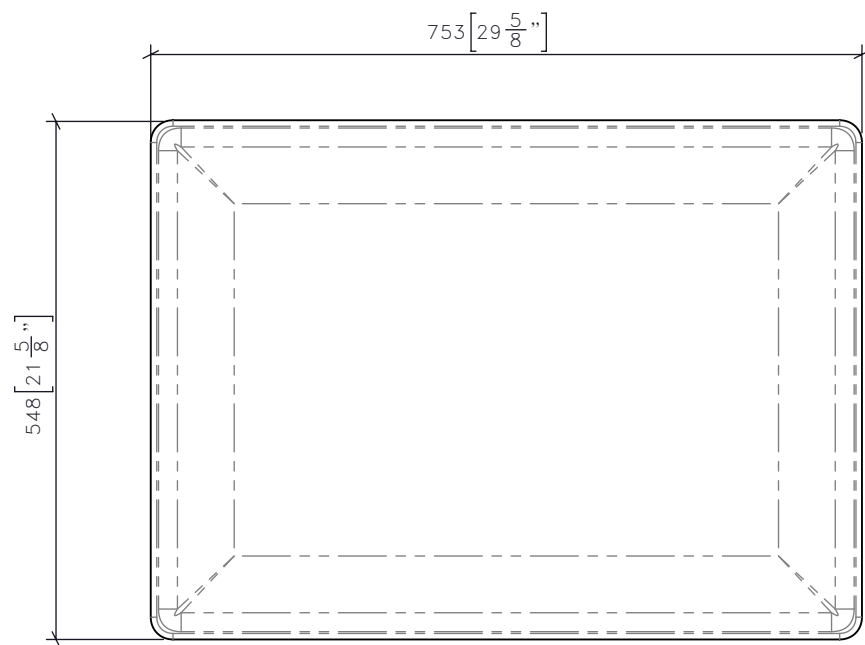
1 2 3 4 5 6



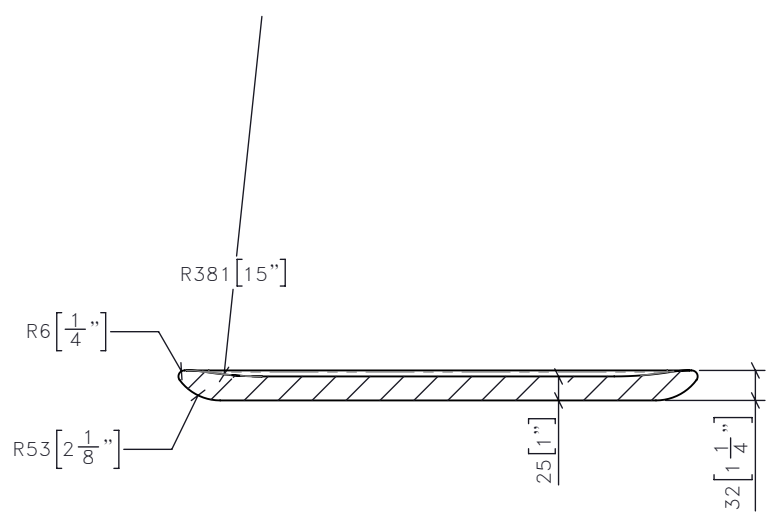
2 | EARTH 1:8 | **RECTANGULAR COFFEE TABLE FRONT ELEVATION**



4 | EARTH 1:8 | **RECTANGULAR COFFEE TABLE SIDE ELEVATION**



3 | EARTH 1:8 | **RECTANGULAR COFFEE TABLE PLAN**



4 | EARTH 1:8 | **RECTANGULAR COFFEE TABLE SECTION A-A**

DRAWING ARE NOT TO BE SCALED. CONTRACTOR MUST CHECK AND VERIFY ALL JOB DIMENSIONS, DRAWINGS, DETAILS AND SPECIFICATIONS; AND REPORT ANY DISCREPANCIES TO DESIGNER BEFORE PROCEEDING WITH WORK.

-REV/	-ISSUED FOR	-DATE

STUDIO MUNGE
 25 WINGOLD AVENUE
 TORONTO, ONTARIO
 M6B 1P8 CANADA
 416.588.1668
 STUDIOMUNGE.COM

-SCALE
AS NOTED

-DATE
7/14/20

-DRAWN BY
EP

-CHECKED BY

-PROJECT NAME

AM COLLECTION

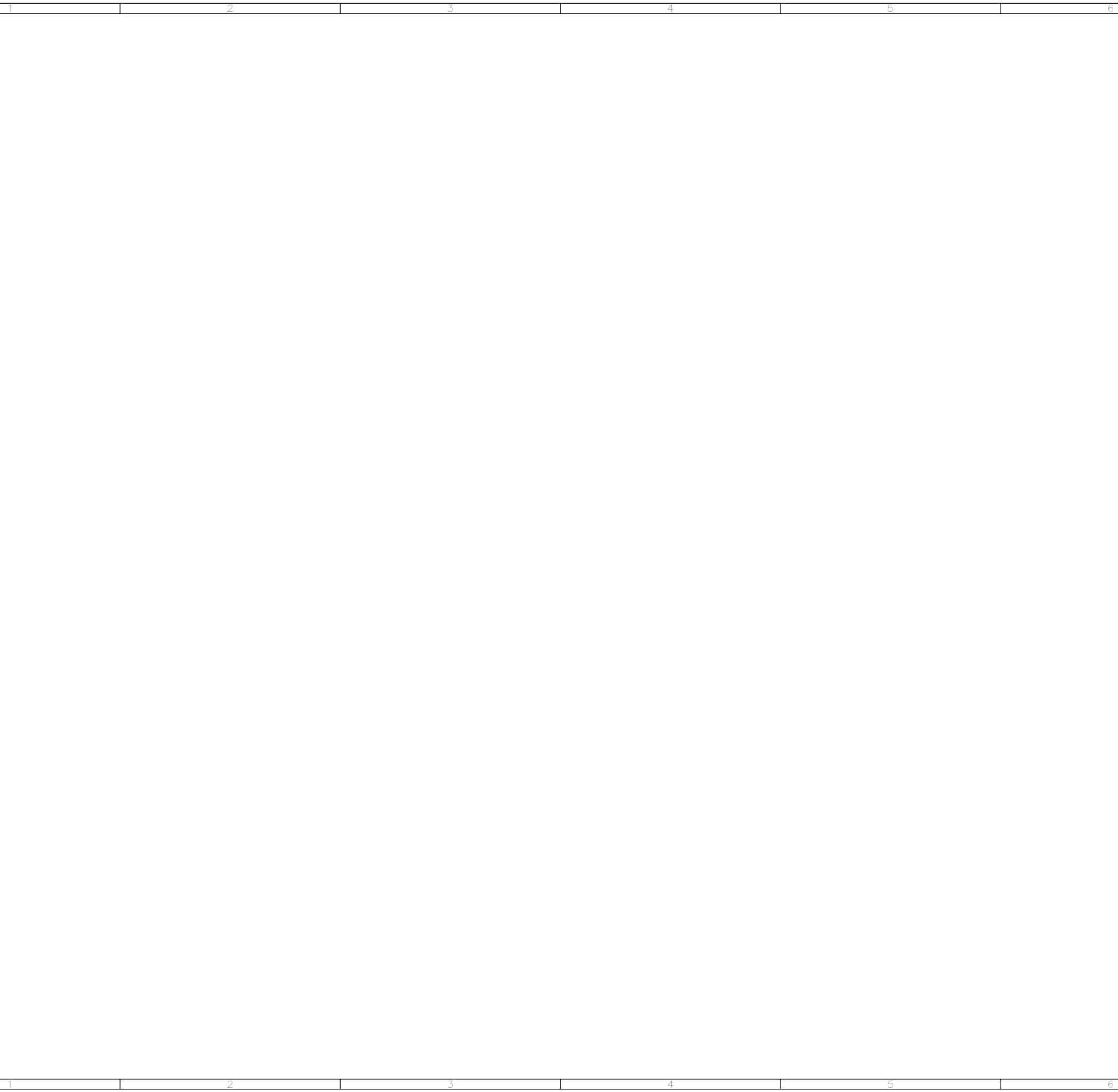
-DRAWING TITLE

EARTH
RECTANGULAR COFFEE TABLE

-PROJECT NUMBER
XXXXXX

-DRAWING NUMBER
3 / 4

STUDIO MUNGE
Y
E
M
D
C
B
A
Y



DRAWING ARE NOT TO BE SCALED. CONTRACTOR MUST CHECK AND VERIFY ALL JOB DIMENSIONS, DRAWINGS, DETAILS AND SPECIFICATIONS; AND REPORT ANY DISCREPANCIES TO DESIGNER BEFORE PROCEEDING WITH WORK.

-REV/	-ISSUED FOR	-DATE

**STUDIO
MUNGE**
25 WINGOLD AVENUE
TORONTO, ONTARIO
M6B 1P8 CANADA
416.588.1668
STUDIOMUNGE.COM

-SCALE
AS NOTED

-DATE
7/14/20

-DRAWN BY
EP

-CHECKED BY

-PROJECT NAME

AM COLLECTION

-DRAWING TITLE

EARTH
RECTANGULAR COFFEE TABLE

-PROJECT NUMBER
XXXXXX

-DRAWING NUMBER
4 / 4