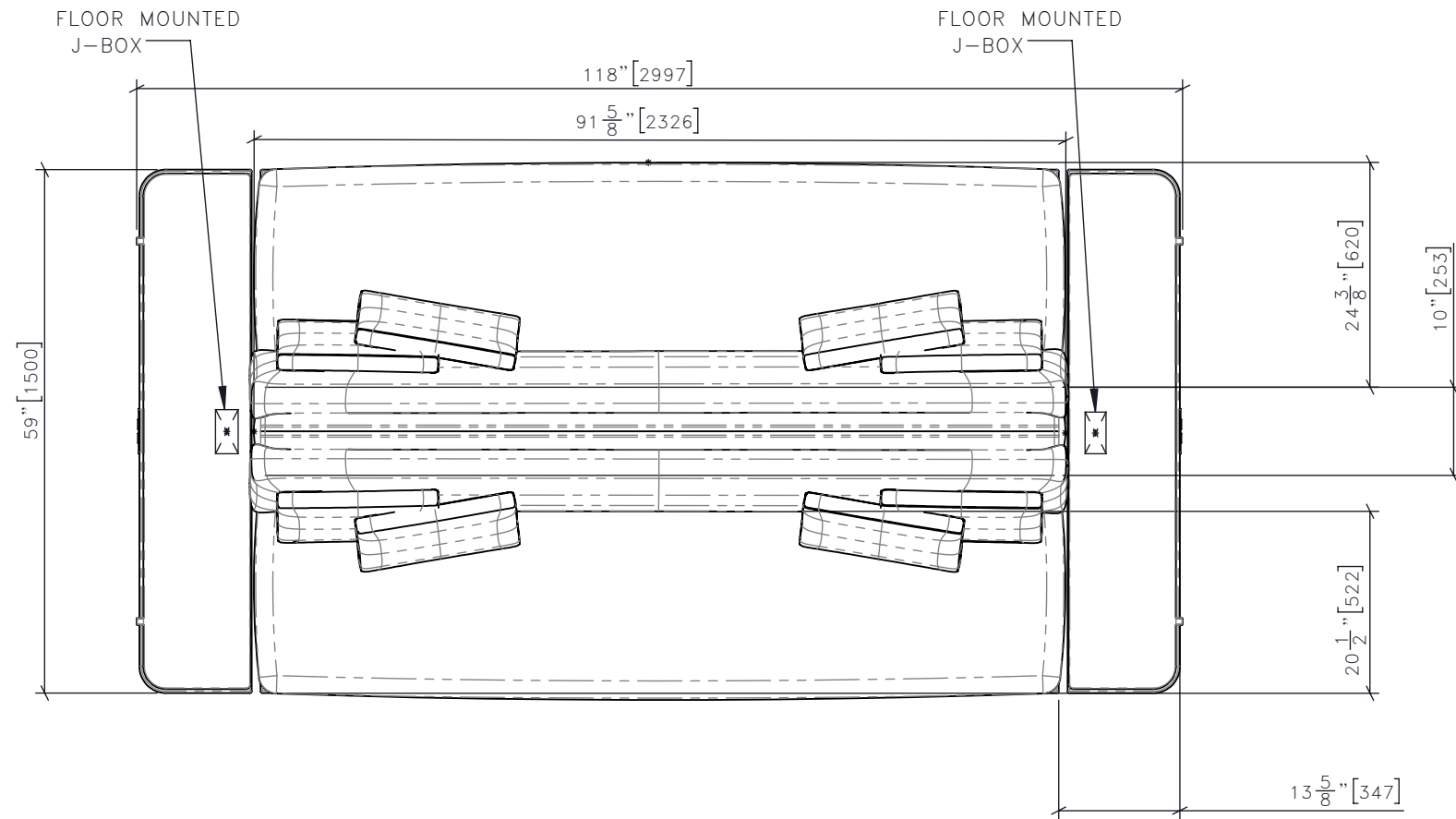


STUDIO MUNGE

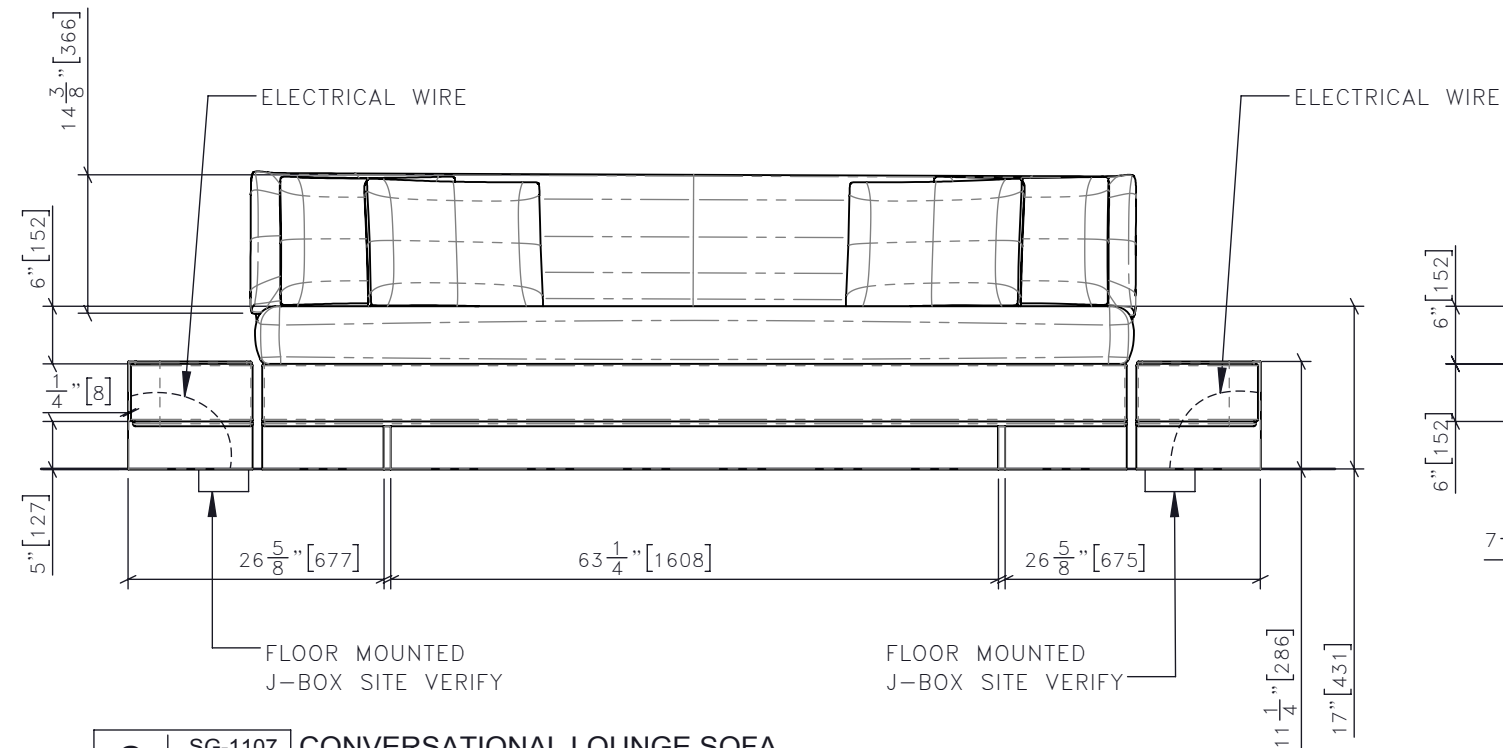
FOR DESIGN INTENT ONLY

DRAWING ARE NOT TO BE SCALED. CONTRACTOR MUST CHECK AND VERIFY ALL JOB DIMENSIONS, DRAWINGS, DETAILS AND SPECIFICATIONS; AND REPORT ANY DISCREPANCIES TO DESIGNER BEFORE PROCEEDING WITH WORK.

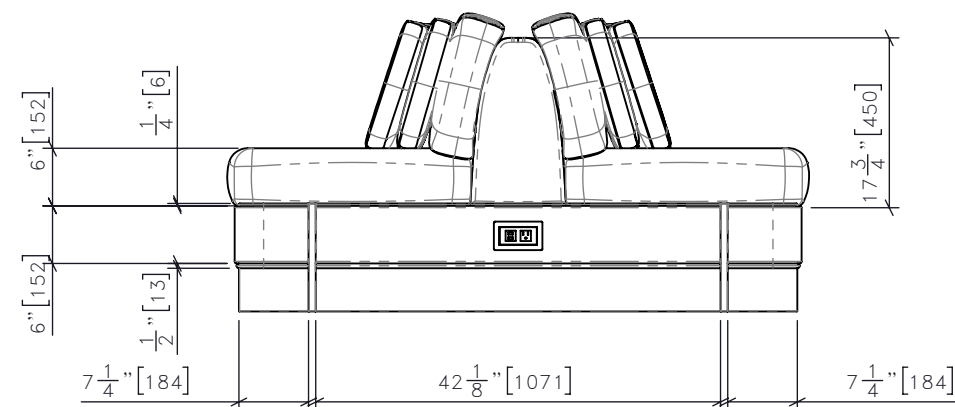
REV	ISSUED FOR	DATE



1 SG-1107 CONVERSATIONAL LOUNGE SOFA
1:20 PLAN ELEVATION



2 SG-1107 CONVERSATIONAL LOUNGE SOFA
1:20 FRONT ELEVATION



3 SG-1107 CONVERSATIONAL LOUNGE SOFA
1:20 SIDE ELEVATION

STUDIO MUNGE
25 WINGOLD AVENUE
TORONTO, ONTARIO
M6B 1P8 CANADA
416.588.1668
STUDIOMUNGE.COM

SCALE AS NOTED DATE 6/4/18

DRAWN BY RC CHECKED BY

PROJECT NAME

PARK HYATT TORONTO

DRAWING TITLE

SG-1107 CONVERSATIONAL LOUNGE SOFA

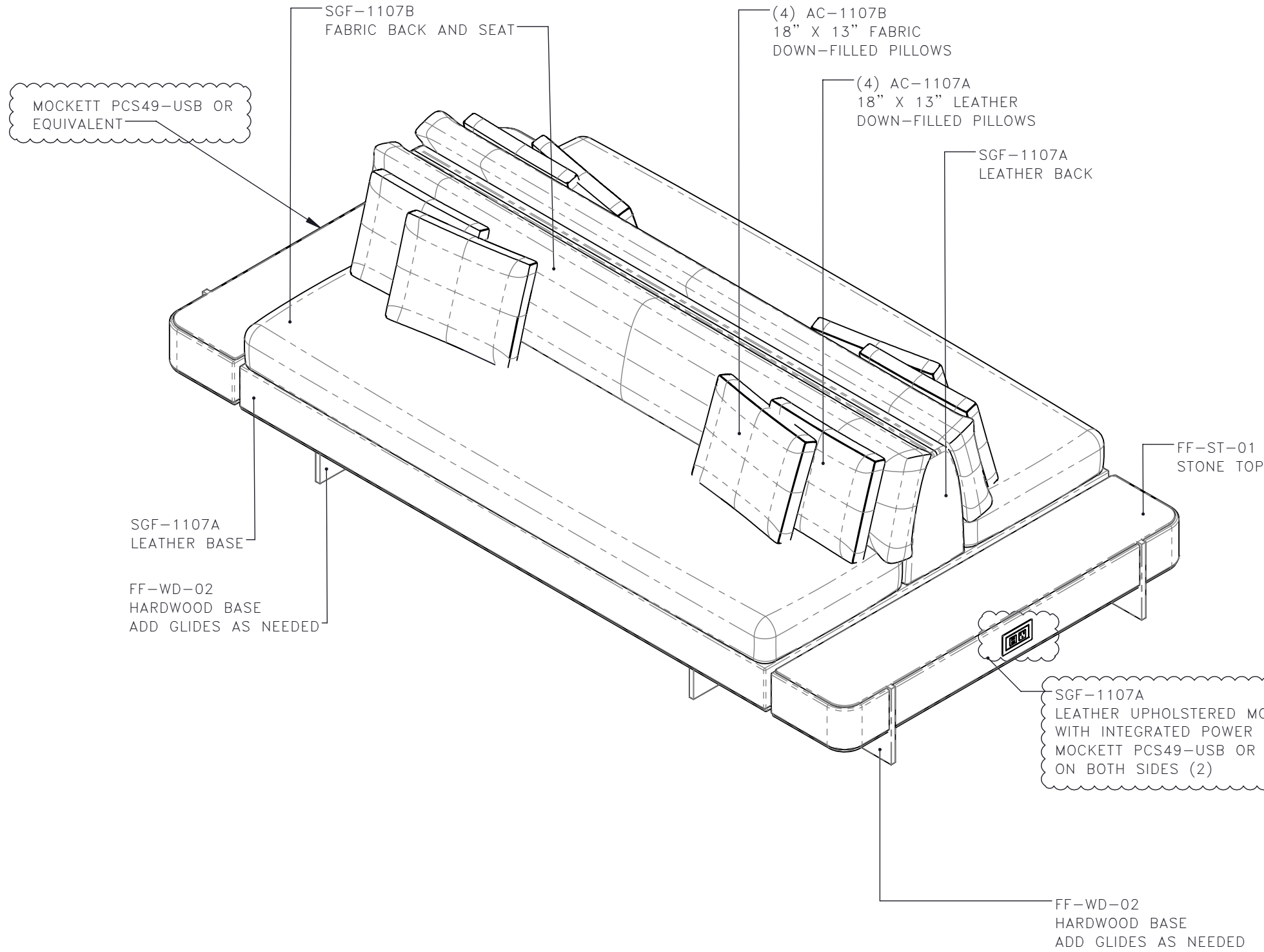
PROJECT NUMBER 16101

DRAWING NUMBER 1 / 3

FOR DESIGN INTENT ONLY

DRAWING ARE NOT TO BE SCALED. CONTRACTOR MUST CHECK AND VERIFY ALL JOB DIMENSIONS, DRAWINGS, DETAILS AND SPECIFICATIONS; AND REPORT ANY DISCREPANCIES TO DESIGNER BEFORE PROCEEDING WITH WORK.

REV	ISSUED FOR	DATE



STUDIO MUNGE
 25 WINGOLD AVENUE
 TORONTO, ONTARIO
 M6B 1P8 CANADA
 416.588.1668
 STUDIOMUNGE.COM

-SCALE
AS NOTED

-DATE
6/4/18

-DRAWN BY
RC

-CHECKED BY

-PROJECT NAME
PARK HYATT TORONTO

-DRAWING TITLE
SG-1107
CONVERSATIONAL LOUNGE SOFA

-PROJECT NUMBER
16101

-DRAWING NUMBER
2 / 3

4 | SG-1107 | CONVERSATIONAL LOUNGE SOFA
 1:20 | ISOMETRIC ELEVATION

STUDIO MUNGE
Y
M
D
C
B
A
X

1 2 3 4 5 6

FOR DESIGN INTENT ONLY

DRAWING ARE NOT TO BE SCALED. CONTRACTOR MUST CHECK AND VERIFY ALL JOB DIMENSIONS, DRAWINGS, DETAILS AND SPECIFICATIONS; AND REPORT ANY DISCREPANCIES TO DESIGNER BEFORE PROCEEDING WITH WORK.

REV.	ISSUED FOR	DATE



**STUDIO
MUNGE**
25 WINGOLD AVENUE
TORONTO, ONTARIO
M6B 1P8 CANADA
416.588.1668
STUDIOMUNGE.COM

-SCALE
AS NOTED

-DATE
6/4/18

-DRAWN BY
RC

-CHECKED BY

-PROJECT NAME

PARK HYATT TORONTO

-DRAWING TITLE

SG-1107
CONVERSATIONAL LOUNGE SOFA

-PROJECT NUMBER
16101

-DRAWING NUMBER
3 / 3

4 | SG-1107
NTS | CONVERSATIONAL LOUNGE SOFA
RENDERED VIEW

1 2 3 4 5 6