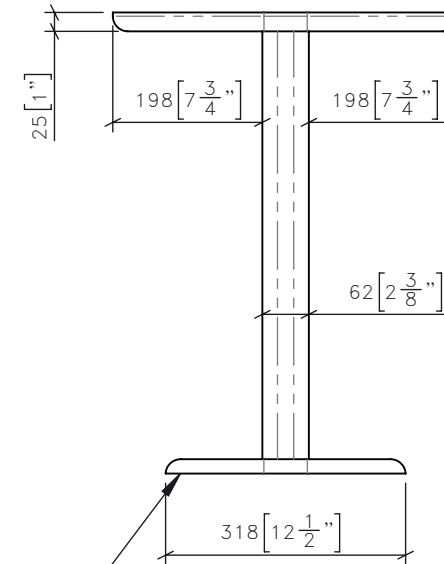


**1** CG-06 CHAISE SIDE TABLE  
1:10 FRONT ELEVATION

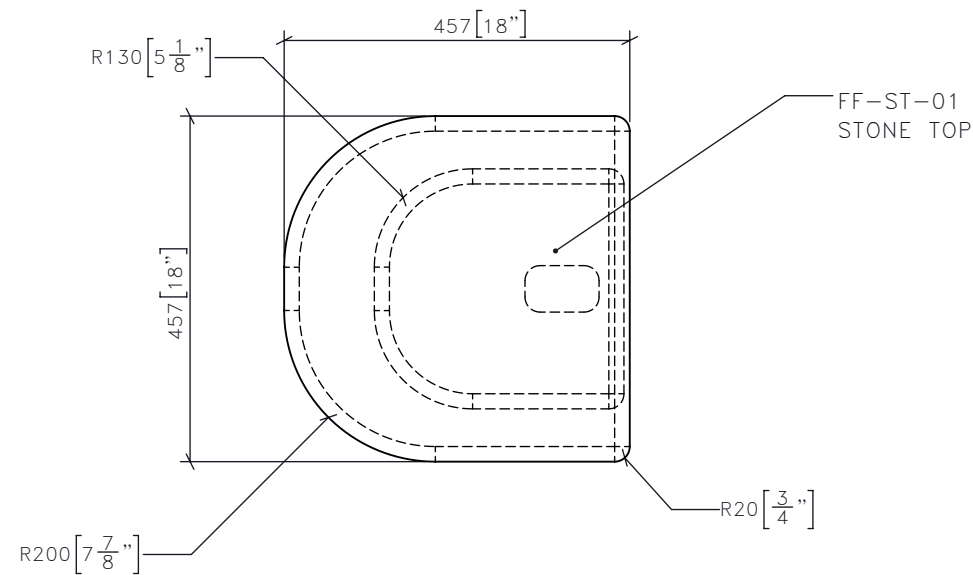
FF-PT-01  
POWERCOATED METAL  
COLUMN.

ENSURE WEIGHT  
IS NOT ECCESSIVE FOR  
GUEST TO MOVE THE  
TABLE

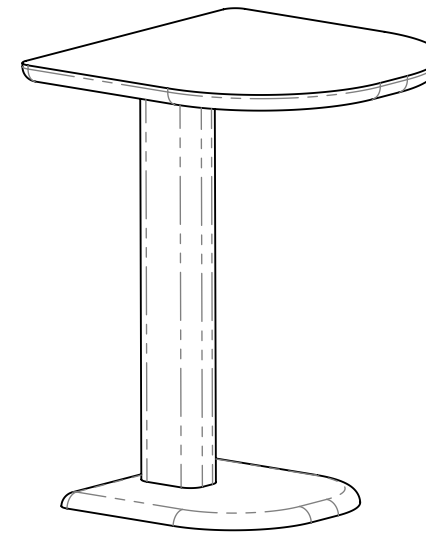
FF-PT-01  
POWDERCOATED METAL  
BASE WITH LOW  
PROFILE GLIDES  
ADD WEIGHT IN THE BASE  
FOR STABILITY  
IF NEEDED



**3** CG-06 CHAISE SIDE TABLE  
1:10 SIDE ELEVATION



**2** CG-06 CHAISE SIDE TABLE  
1:10 PLAN



REV	ISSUED FOR	DATE

**STUDIO MUNGE**  
25 WINGOLD AVENUE  
TORONTO, ONTARIO  
M6B 1P8 CANADA  
416.588.1668  
STUDIOMUNGE.COM

<b>-SCALE</b> AS NOTED	<b>-DATE</b> 4/27/20
<b>-DRAWN BY</b> EP	<b>-CHECKED BY</b>
<b>-PROJECT NAME</b>  CANOPY HOTEL	
<b>-DRAWING TITLE</b>  CG-06 CHAISE SIDE TABLE	
<b>-PROJECT NUMBER</b> 15139	
<b>-DRAWING NUMBER</b> 1 / 2	

STUDIO MUNGE  
E  
D  
C  
B  
A  
Y

FOR DESIGN INTENT ONLY

DRAWING ARE NOT TO BE SCALED. CONTRACTOR MUST CHECK AND VERIFY ALL JOB DIMENSIONS, DRAWINGS, DETAILS AND SPECIFICATIONS; AND REPORT ANY DISCREPANCIES TO DESIGNER BEFORE PROCEEDING WITH WORK.



-REV/	-ISSUED FOR	-DATE

**STUDIO  
MUNGE**  
25 WINGOLD AVENUE  
TORONTO, ONTARIO  
M6B 1P8 CANADA  
416.588.1668  
STUDIOMUNGE.COM

**-SCALE**  
AS NOTED

**-DATE**  
4/27/20

**-DRAWN BY**  
EP

**-CHECKED BY**

**-PROJECT NAME**  
  
CANOPY HOTEL

**-DRAWING TITLE**  
  
CG-06  
CHAISE SIDE TABLE

**-PROJECT NUMBER**  
15139

**-DRAWING NUMBER**  
2 / 2