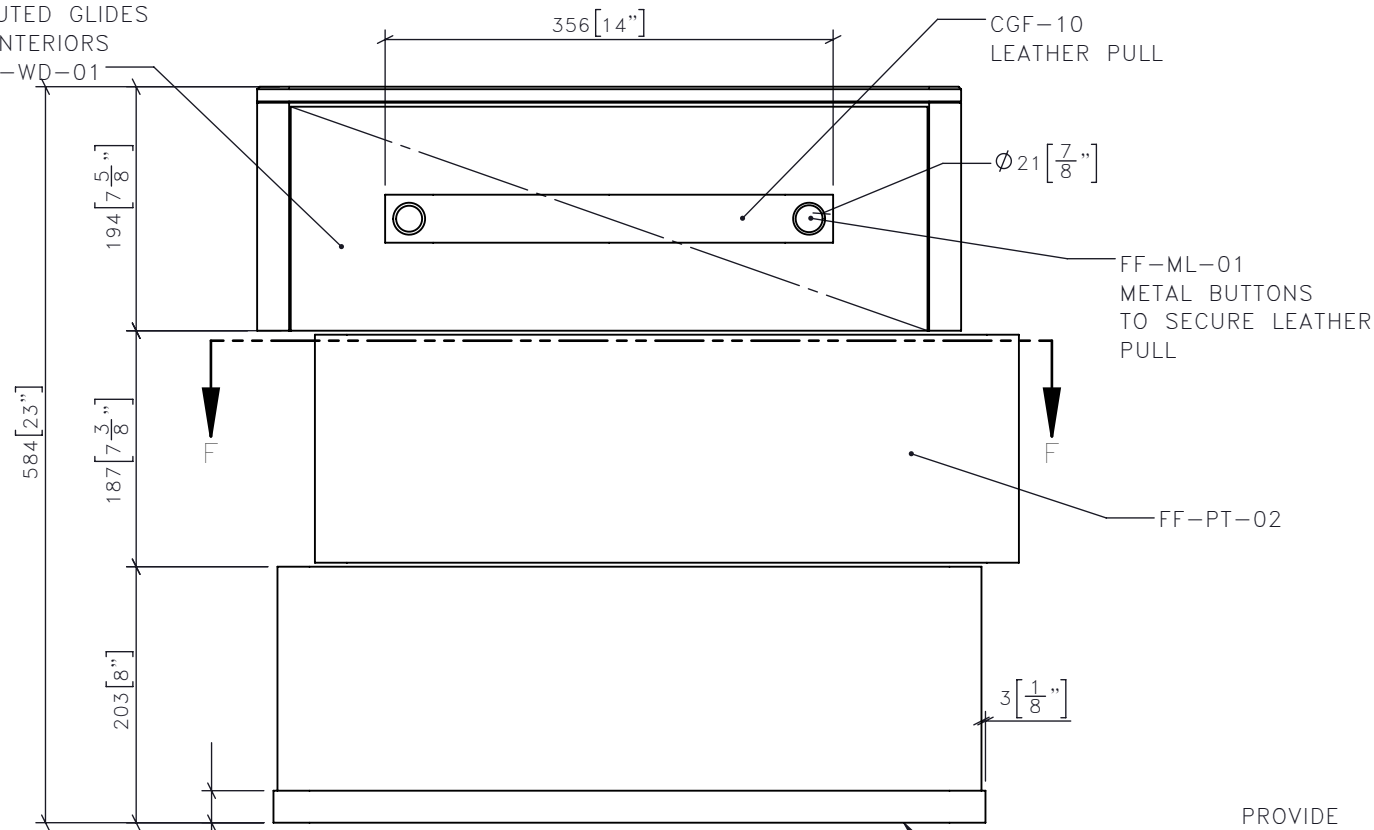


DRAWER WITH SOFT CLOSE
UNDERMOUNTED GLIDES
DRAWER INTERIORS
TO BE FF-WD-01

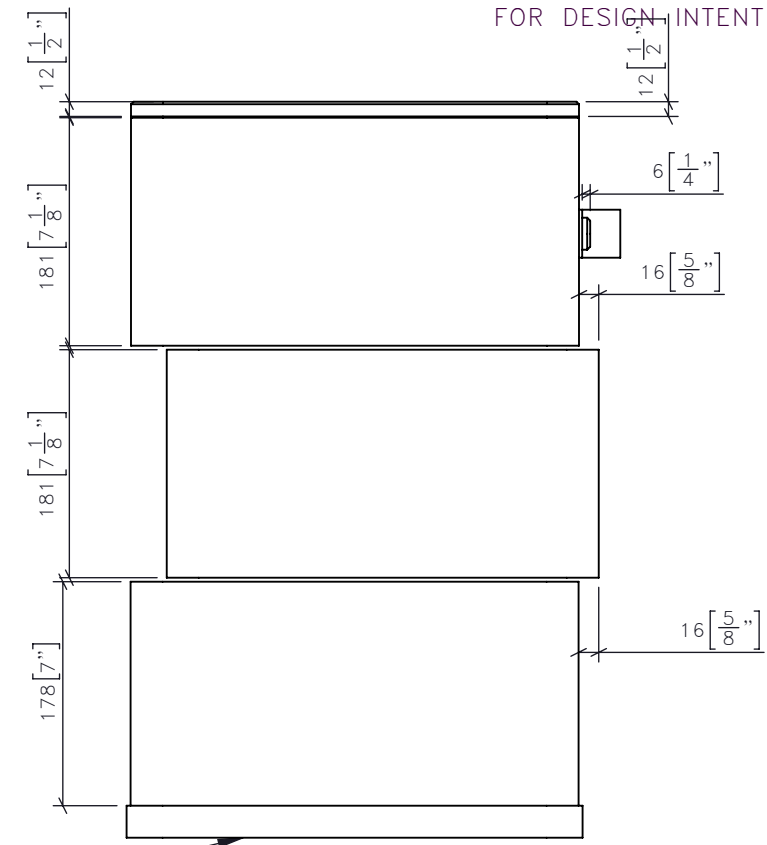


1 | CG-10 | 1:6 | **DQ BEDSITE TABLE FRONT ELEVATION**

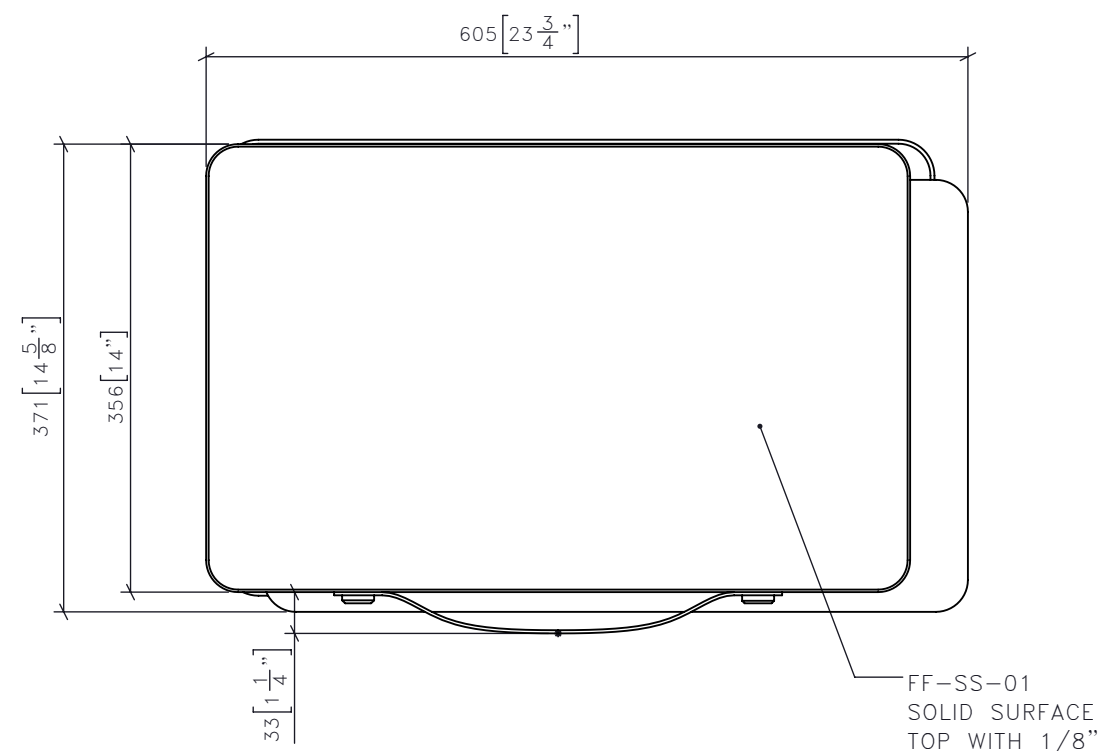
PROVIDE
LOW PROFILE
GLIDES

FF-PL-01
EDGE TO PROTECT
NIGHTSAND
BODY FROM DAMAGING

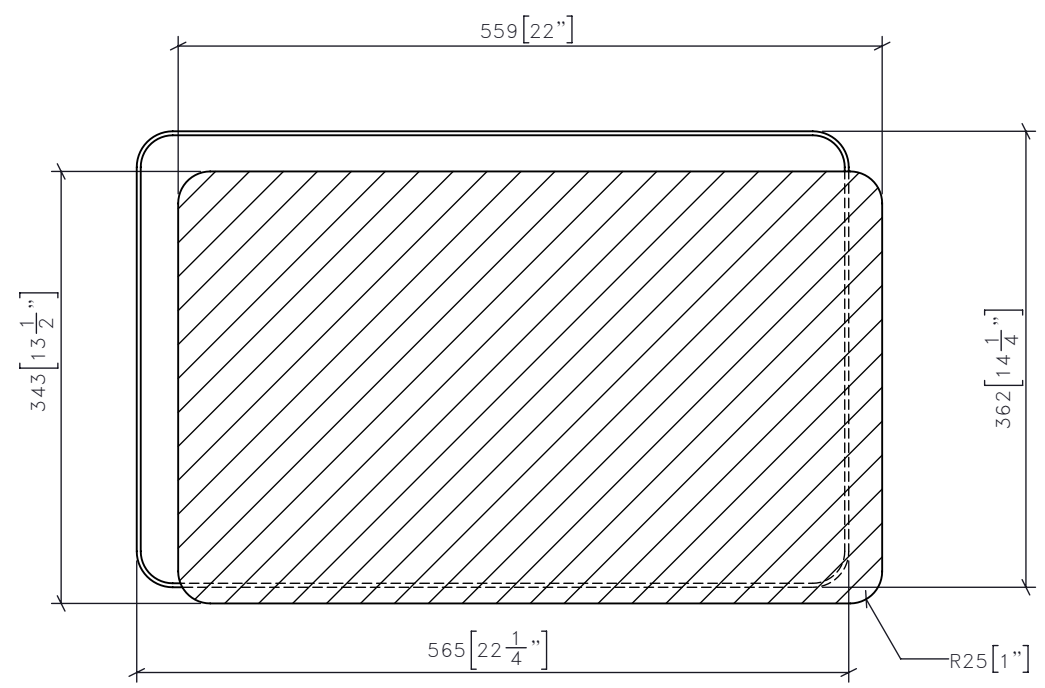
FOR DESIGN INTENT ONLY



3 | CG-10 | 1:6 | **DQ BEDSITE TABLE SIDE ELEVATION**



2 | CG-10 | 1:6 | **DQ BEDSITE TABLE PLAN**



4 | CG-10 | 1:6 | **DQ BEDSITE TABLE SECTION F-F**

DRAWING ARE NOT TO BE SCALED. CONTRACTOR MUST CHECK AND VERIFY ALL JOB DIMENSIONS, DRAWINGS, DETAILS AND SPECIFICATIONS; AND REPORT ANY DISCREPANCIES TO DESIGNER BEFORE PROCEEDING WITH WORK.

-REV/	-ISSUED FOR	-DATE

STUDIO MUNGE
25 WINGOLD AVENUE
TORONTO, ONTARIO
M6B 1P8 CANADA
416.588.1668
STUDIOMUNGE.COM

-SCALE AS NOTED -DATE 6/11/20

-DRAWN BY EP -CHECKED BY

-PROJECT NAME

CANOPY HOTEL

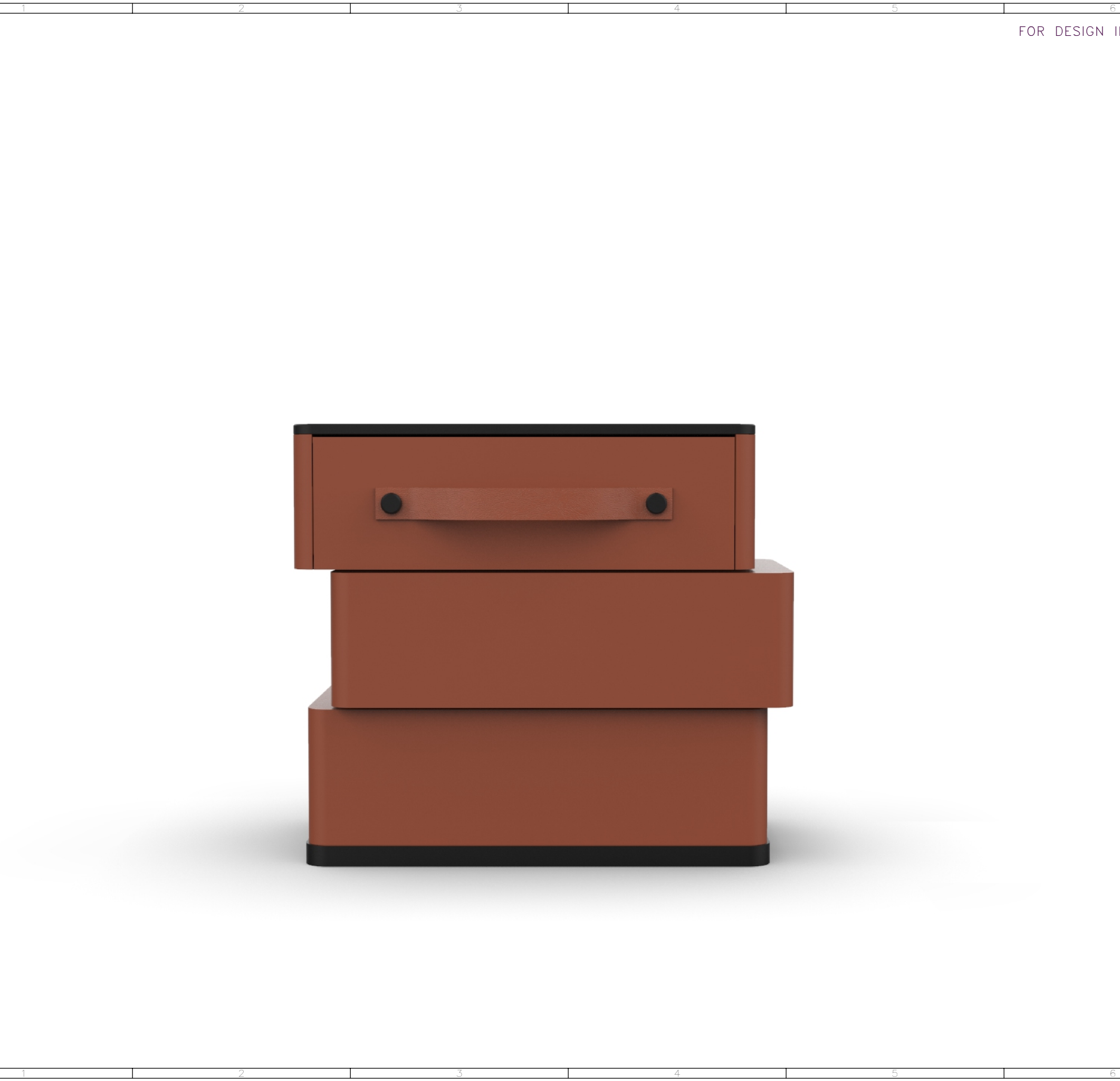
-DRAWING TITLE

CG-10
DQ BEDSITE TABLE

-PROJECT NUMBER 15139

-DRAWING NUMBER 1 / 2

STUDIO MUNGE
Y
E
M
D
C
B
A
Y



FOR DESIGN INTENT ONLY

DRAWING ARE NOT TO BE SCALED. CONTRACTOR MUST CHECK AND VERIFY ALL JOB DIMENSIONS, DRAWINGS, DETAILS AND SPECIFICATIONS; AND REPORT ANY DISCREPANCIES TO DESIGNER BEFORE PROCEEDING WITH WORK.

-REV/	-ISSUED FOR	-DATE

**STUDIO
MUNGE**
25 WINGOLD AVENUE
TORONTO, ONTARIO
M6B 1P8 CANADA
416.588.1668
STUDIOMUNGE.COM

-SCALE AS NOTED	-DATE 6/11/20
-DRAWN BY EP	-CHECKED BY
-PROJECT NAME CANOPY HOTEL	
-DRAWING TITLE CG-10 DQ BEDSITE TABLE	
-PROJECT NUMBER 15139	
-DRAWING NUMBER 2 / 2	