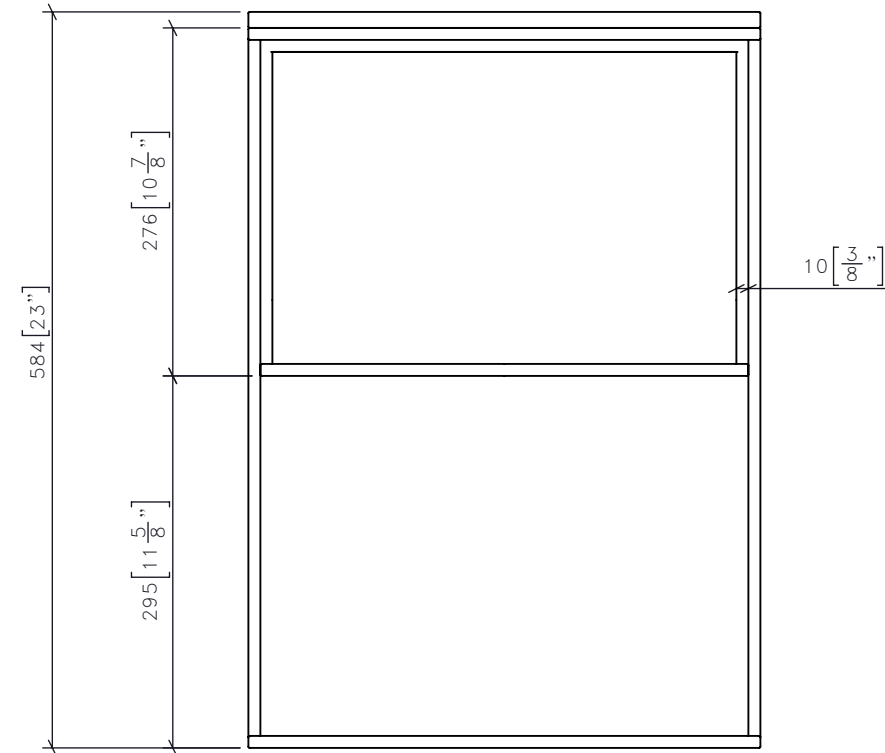
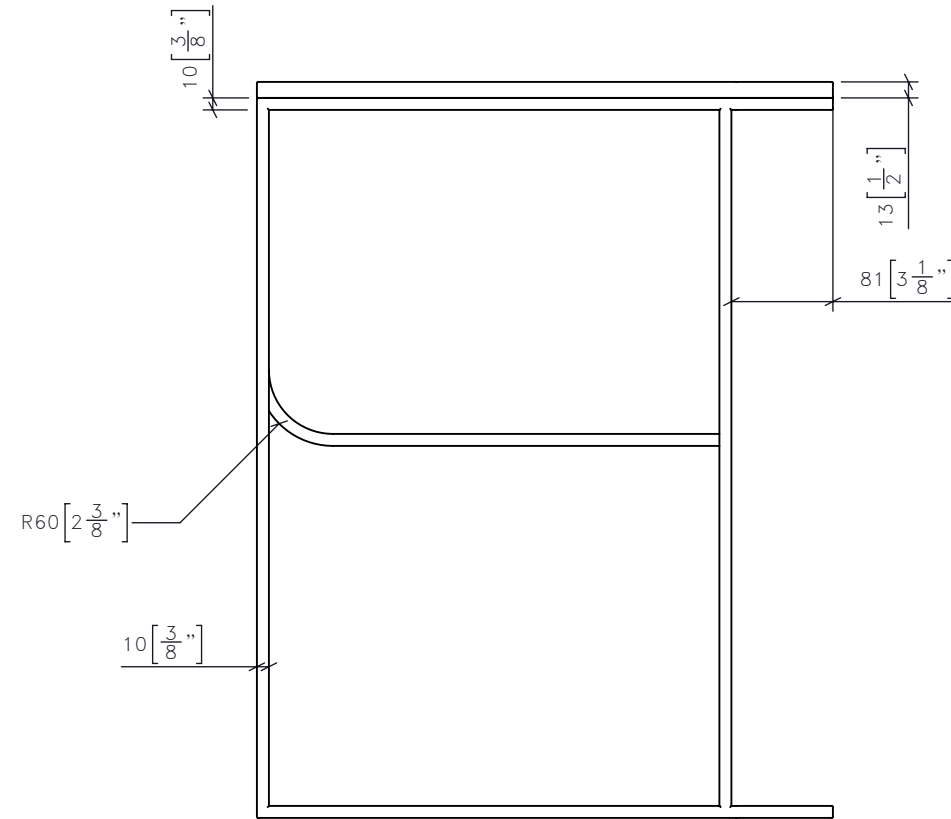


FOR DESIGN INTENT ONLY

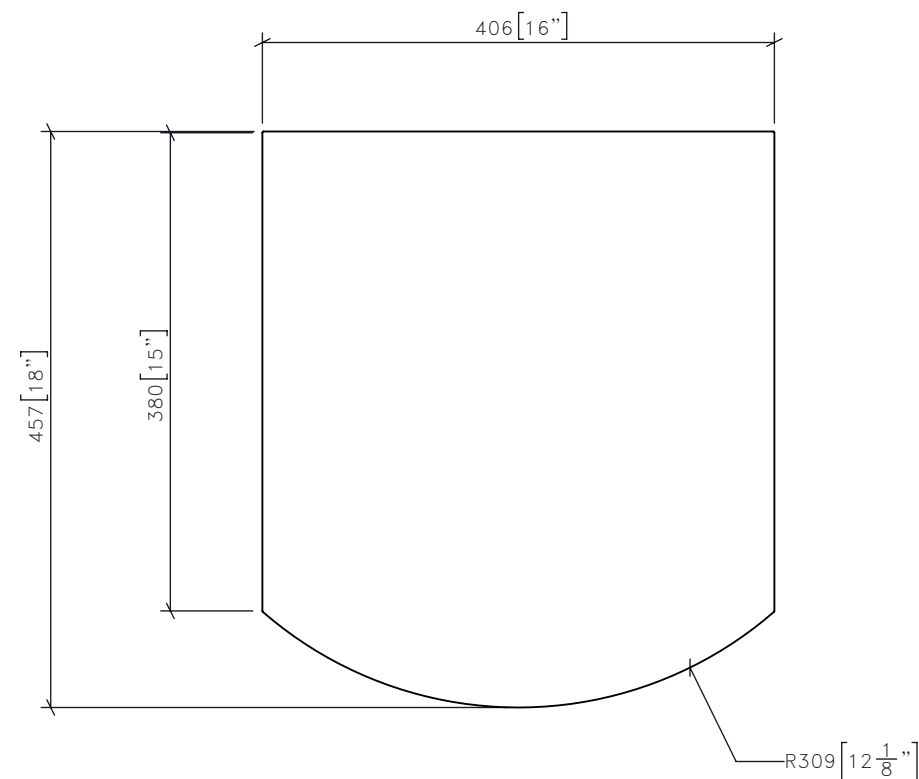
DRAWING ARE NOT TO BE SCALED. CONTRACTOR MUST CHECK AND VERIFY ALL JOB DIMENSIONS, DRAWINGS, DETAILS AND SPECIFICATIONS; AND REPORT ANY DISCREPANCIES TO DESIGNER BEFORE PROCEEDING WITH WORK.



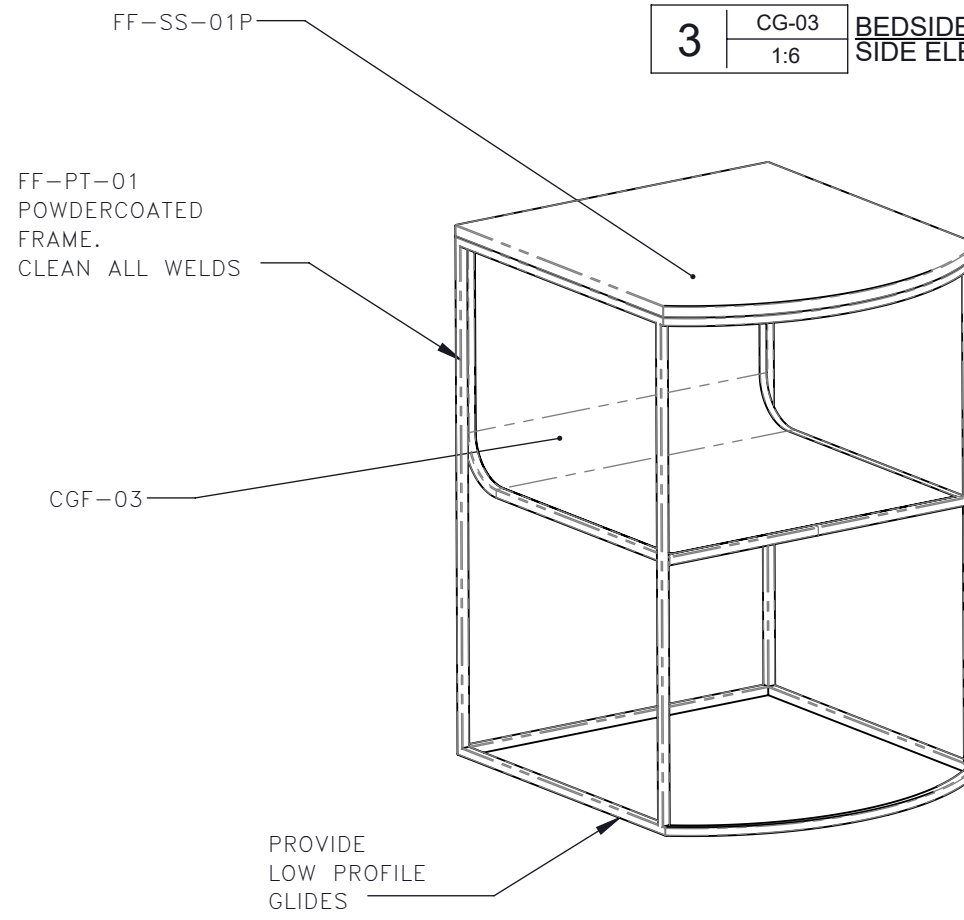
**1** CG-03  
1:6 **BEDSIDE TABLE 1**  
FRONT ELEVATION



**3** CG-03  
1:6 **BEDSIDE TABLE 1**  
SIDE ELEVATION



**2** CG-03  
1:6 **BEDSIDE TABLE 1**  
PLAN



-REV/	-ISSUED FOR	-DATE

**STUDIO MUNGE**  
25 WINGOLD AVENUE  
TORONTO, ONTARIO  
M6B 1P8 CANADA  
416.588.1668  
STUDIOMUNGE.COM

-SCALE AS NOTED	-DATE 6/9/20
-DRAWN BY EP	-CHECKED BY
-PROJECT NAME  CANOPY HOTEL	
-DRAWING TITLE  CG-03 BEDSIDE TABLE 1	
-PROJECT NUMBER 15139	
-DRAWING NUMBER 1 / 2	

STUDIO MUNGE  
E  
D  
C  
B  
A  
Y

FOR DESIGN INTENT ONLY

DRAWING ARE NOT TO BE SCALED. CONTRACTOR MUST CHECK AND VERIFY ALL JOB DIMENSIONS, DRAWINGS, DETAILS AND SPECIFICATIONS; AND REPORT ANY DISCREPANCIES TO DESIGNER BEFORE PROCEEDING WITH WORK.

-REV/	-ISSUED FOR	-DATE



**STUDIO  
MUNGE**  
25 WINGOLD AVENUE  
TORONTO, ONTARIO  
M6B 1P8 CANADA  
416.588.1668  
STUDIOMUNGE.COM

<b>-SCALE</b> AS NOTED	<b>-DATE</b> 6/9/20
<b>-DRAWN BY</b> EP	<b>-CHECKED BY</b> 
<b>-PROJECT NAME</b>  CANOPY HOTEL	
<b>-DRAWING TITLE</b>  CG-03 BEDSIDE TABLE 1	
<b>-PROJECT NUMBER</b> 15139	
<b>-DRAWING NUMBER</b> 2 / 2	