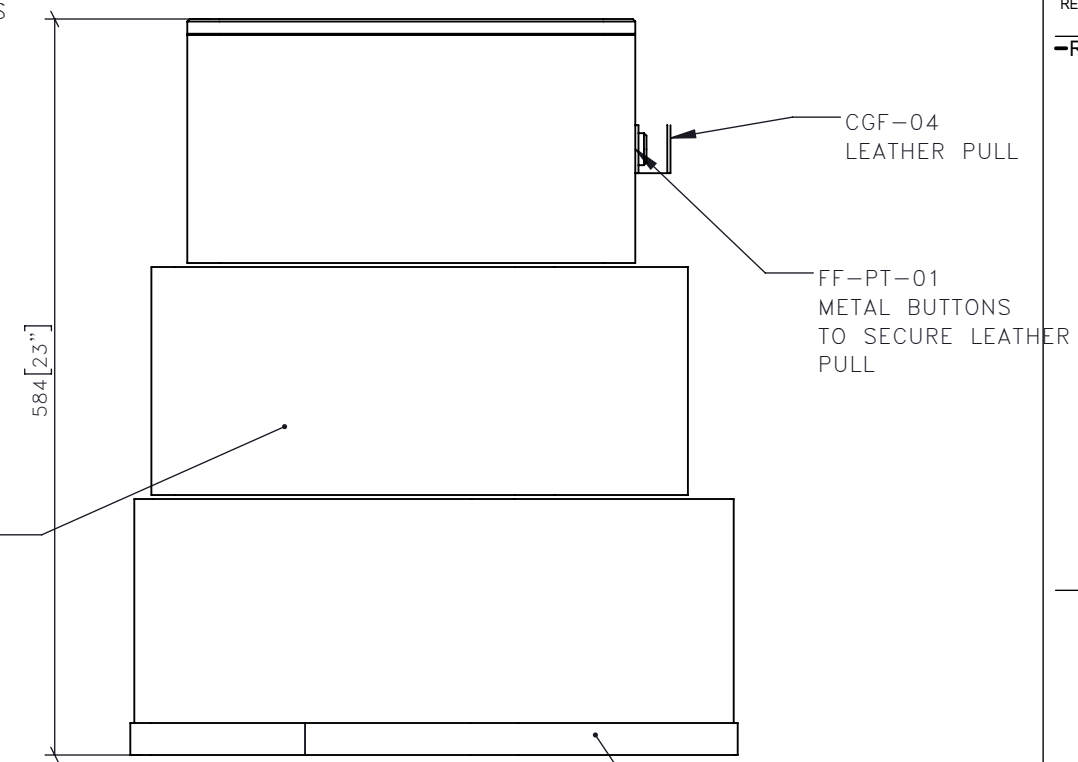
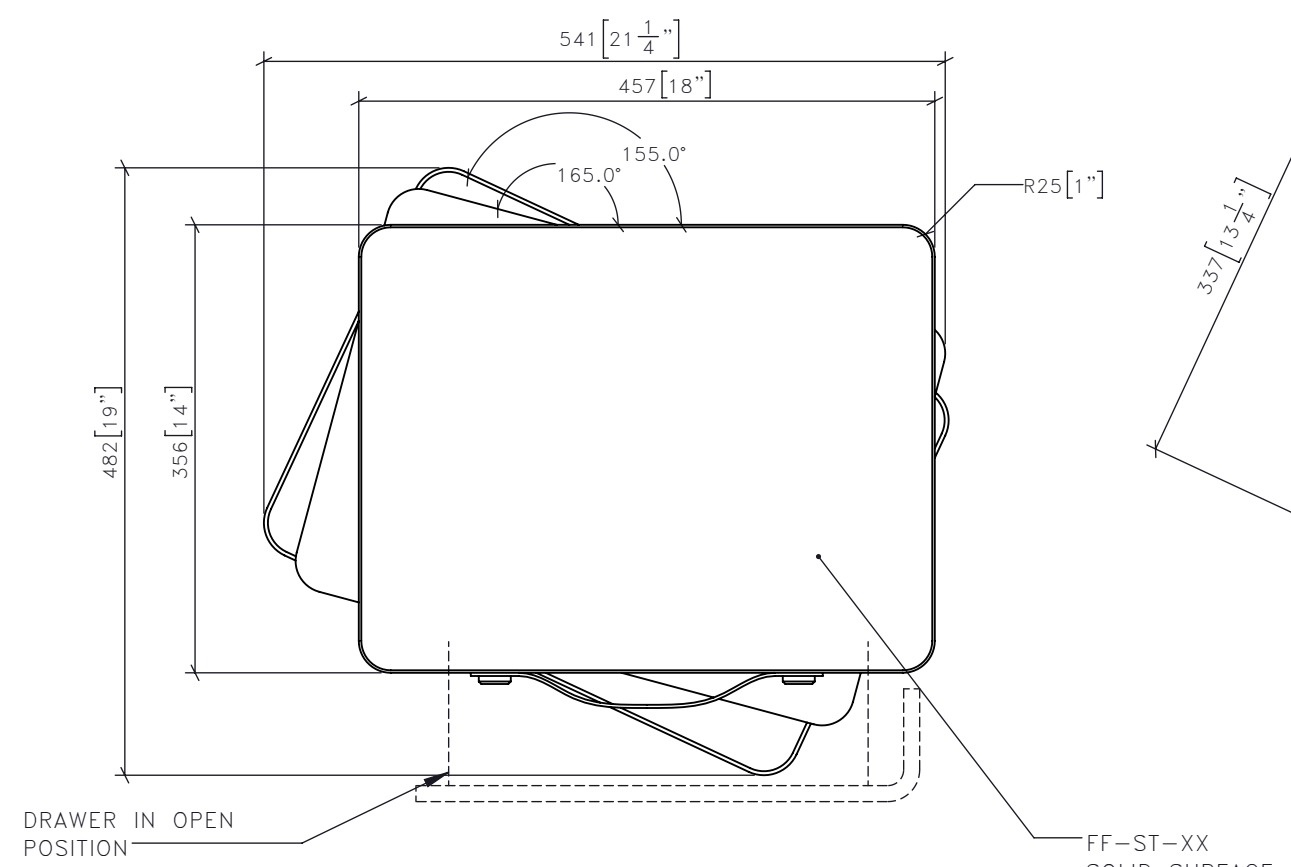


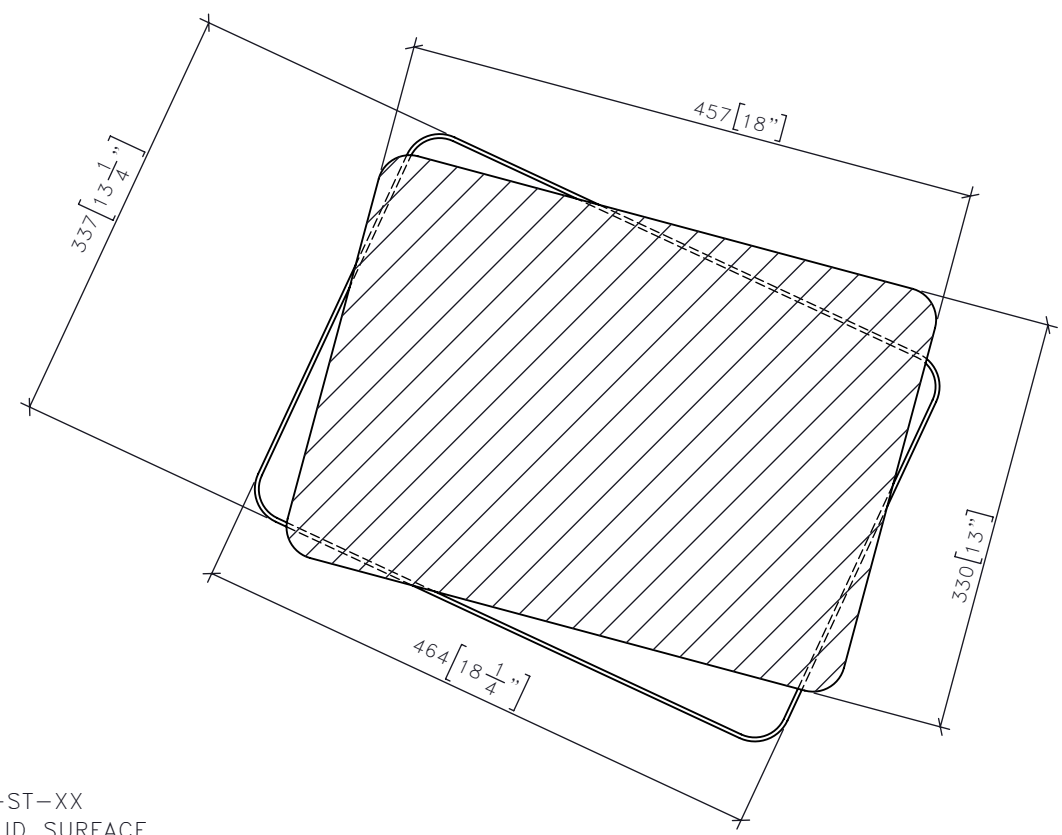
**1** CG-04  
1:6 **BEDSITE TABLE 2**  
FRONT ELEVATION



**3** CG-04  
1:6 **BEDSITE TABLE 2**  
SIDE ELEVATION



**2** CG-04  
1:6 **BEDSITE TABLE 2**  
PLAN



SECTION F-F  
NOTE: DRAWER INTERIOR TO BE BALCK MELAMINE

DRAWING ARE NOT TO BE SCALED. CONTRACTOR MUST CHECK AND VERIFY ALL JOB DIMENSIONS, DRAWINGS, DETAILS AND SPECIFICATIONS; AND REPORT ANY DISCREPANCIES TO DESIGNER BEFORE PROCEEDING WITH WORK.

-REV/	-ISSUED FOR	-DATE

**STUDIO MUNGE**  
25 WINGOLD AVENUE  
TORONTO, ONTARIO  
M6B 1P8 CANADA  
416.588.1668  
STUDIOMUNGE.COM

-SCALE AS NOTED  
-DATE 6/11/20

-DRAWN BY EP  
-CHECKED BY

-PROJECT NAME

CANOPY HOTEL

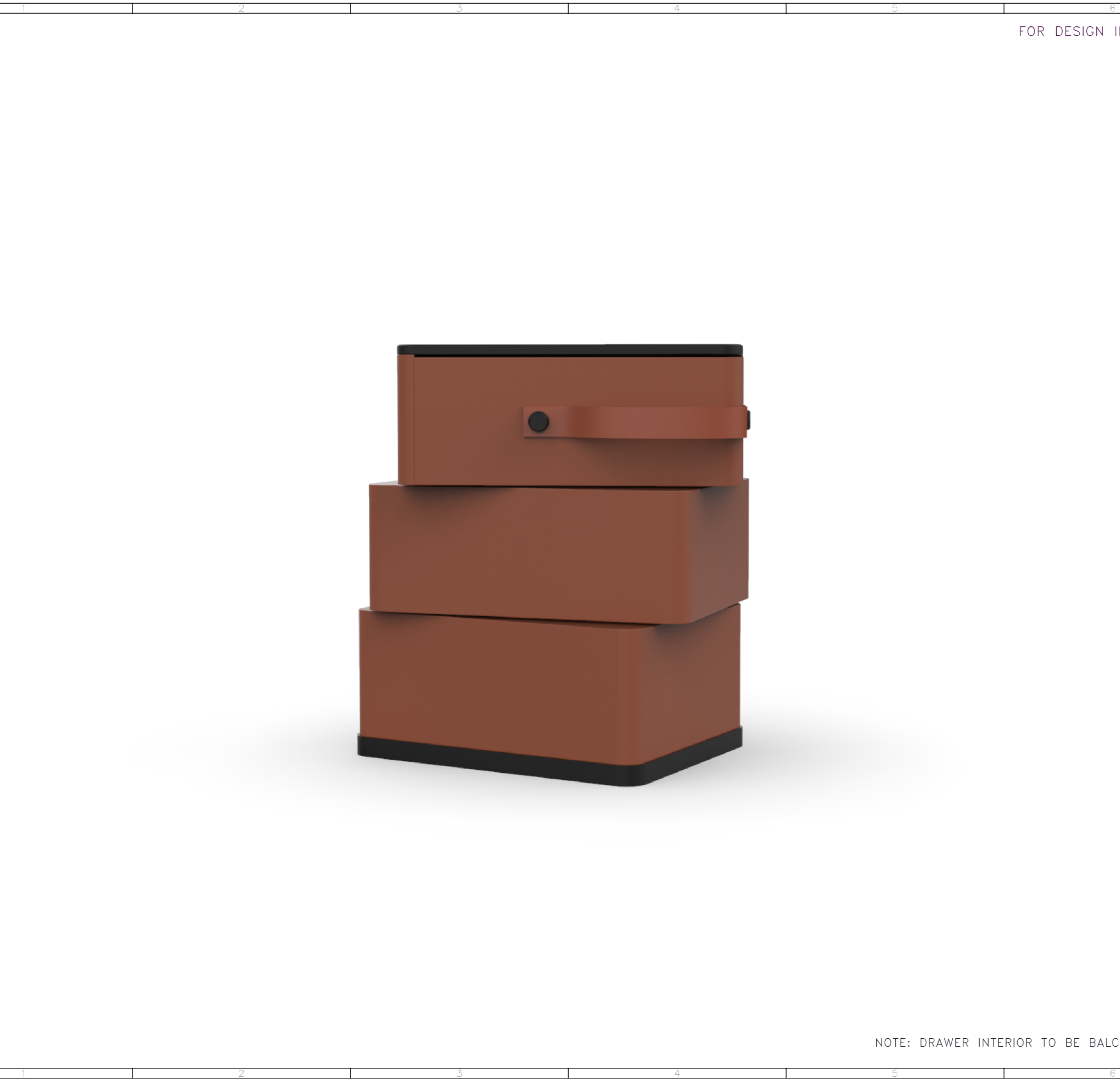
-DRAWING TITLE

CG-04  
BEDSITE TABLE 2

-PROJECT NUMBER  
15139

-DRAWING NUMBER  
1 / 2

STUDIO MUNGE  
Y  
E  
M  
D  
C  
B  
A  
Y



FOR DESIGN INTENT ONLY

DRAWING ARE NOT TO BE SCALED. CONTRACTOR MUST CHECK AND VERIFY ALL JOB DIMENSIONS, DRAWINGS, DETAILS AND SPECIFICATIONS; AND REPORT ANY DISCREPANCIES TO DESIGNER BEFORE PROCEEDING WITH WORK.

-REV/	-ISSUED FOR	-DATE

**STUDIO  
MUNGE**  
25 WINGOLD AVENUE  
TORONTO, ONTARIO  
M6B 1P8 CANADA  
416.588.1668  
STUDIOMUNGE.COM

<b>-SCALE</b> AS NOTED	<b>-DATE</b> 6/11/20
<b>-DRAWN BY</b> EP	<b>-CHECKED BY</b>
<b>-PROJECT NAME</b>  CANOPY HOTEL	
<b>-DRAWING TITLE</b>  CG-04 BEDSITE TABLE 2	
<b>-PROJECT NUMBER</b> 15139	
<b>-DRAWING NUMBER</b> 2 / 2	

NOTE: DRAWER INTERIOR TO BE BLACK MELAMINE