

STUDIO MUNGE

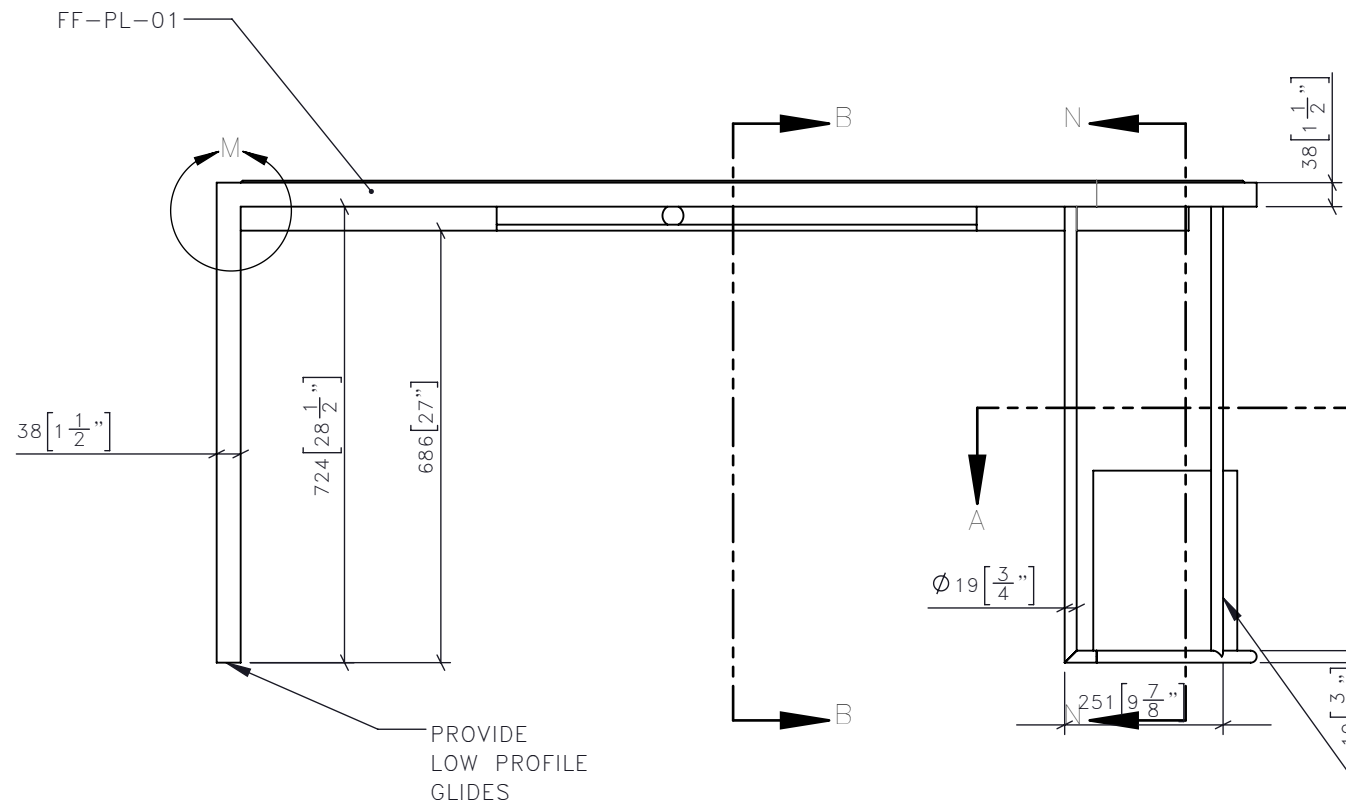
FOR DESIGN INTENT ONLY

DRAWING ARE NOT TO BE SCALED. CONTRACTOR MUST CHECK AND VERIFY ALL JOB DIMENSIONS, DRAWINGS, DETAILS AND SPECIFICATIONS, AND REPORT ANY DISCREPANCIES TO DESIGNER BEFORE PROCEEDING WITH WORK.

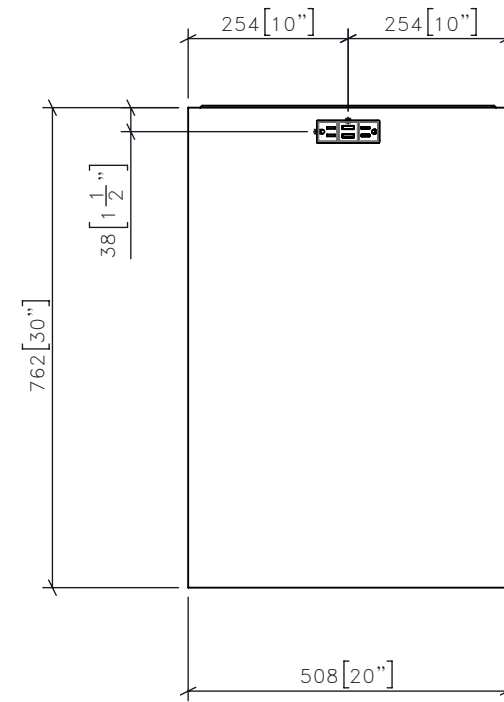
-REV/	-ISSUED FOR	-DATE

STUDIO MUNGE
 25 WINGOLD AVENUE
 TORONTO, ONTARIO
 M6B 1P8 CANADA
 416.588.1668
 STUDIOMUNGE.COM

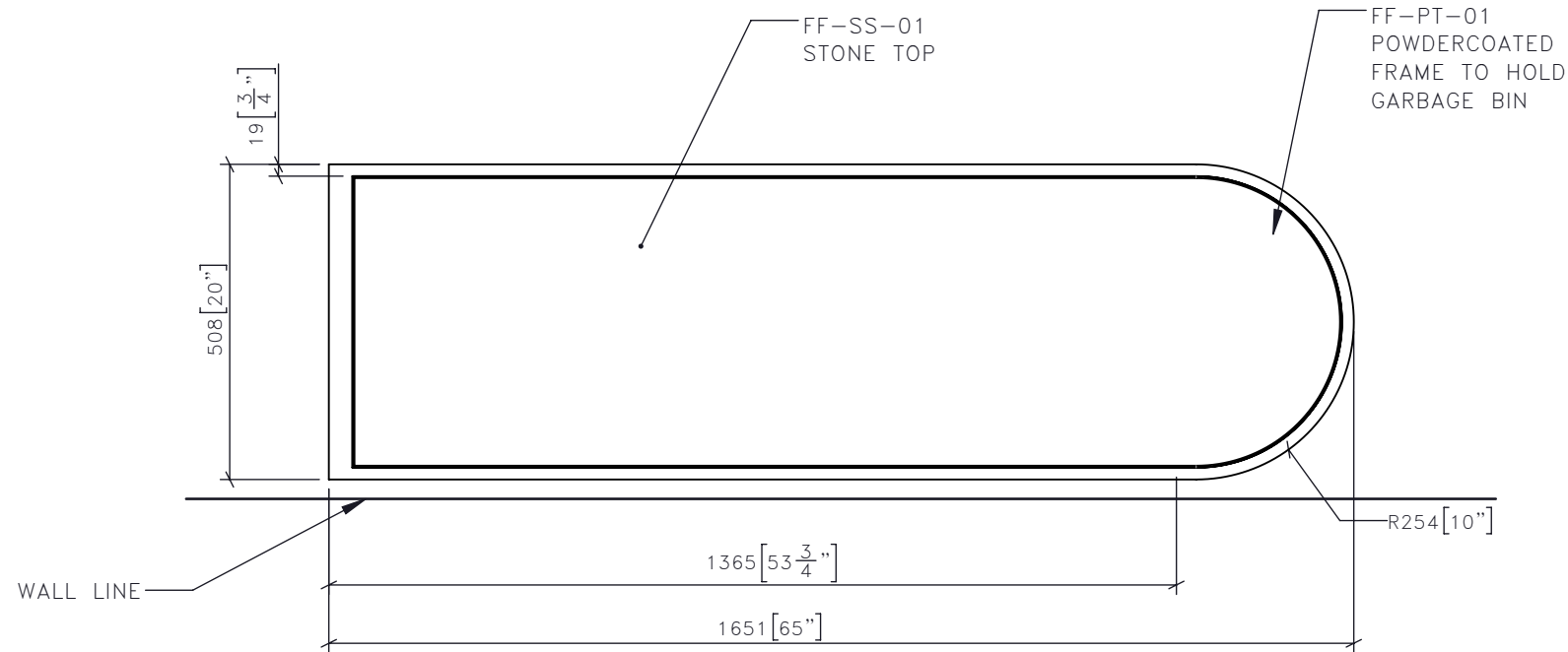
-SCALE AS NOTED	-DATE 6/16/20
-DRAWN BY EP	-CHECKED BY
-PROJECT NAME CANOPY HOTEL	
-DRAWING TITLE CG-05 DESK	
-PROJECT NUMBER 15139	
-DRAWING NUMBER 1 / 4	



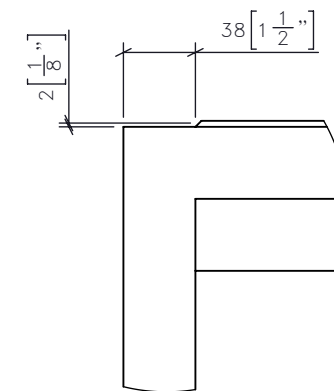
1 | CG-05 | **DESK FRONT ELEVATION**
1:12



3 | CG-05 | **DESK SIDE ELEVATION**
1:12



2 | CG-05 | **DESK PLAN**
1:12

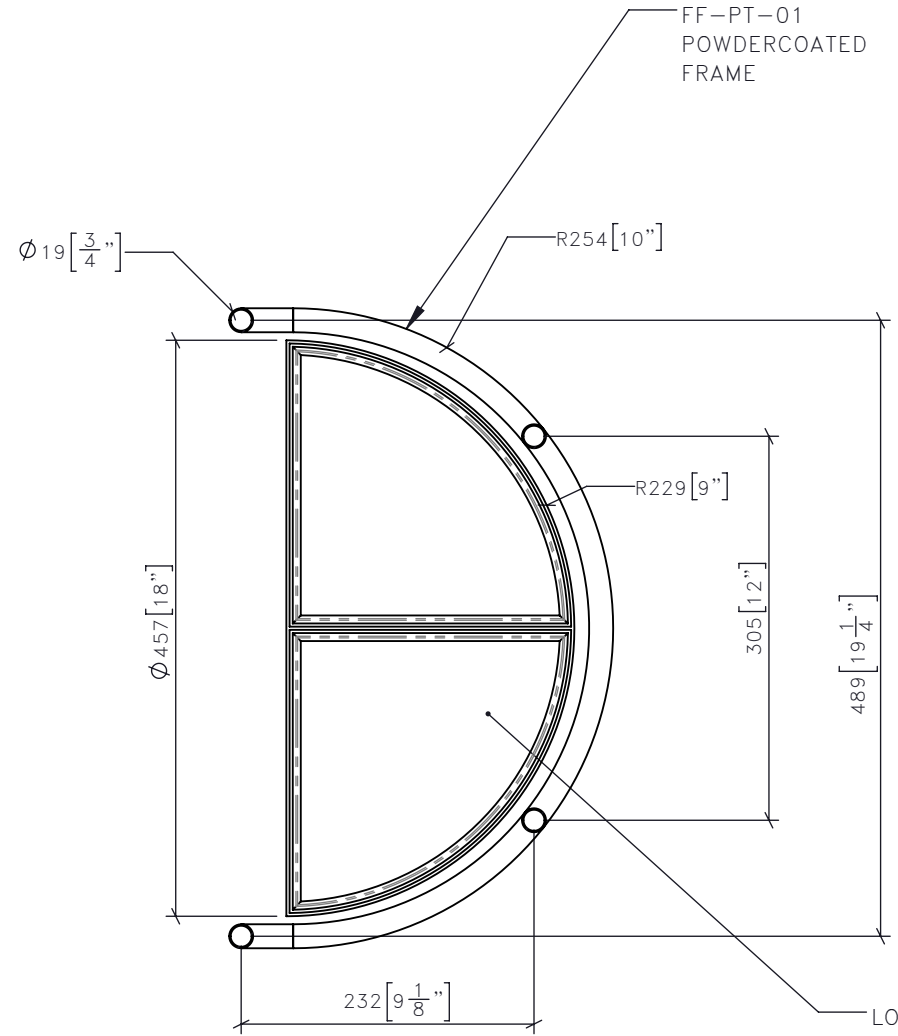


DETAIL M
SCALE 1 : 4

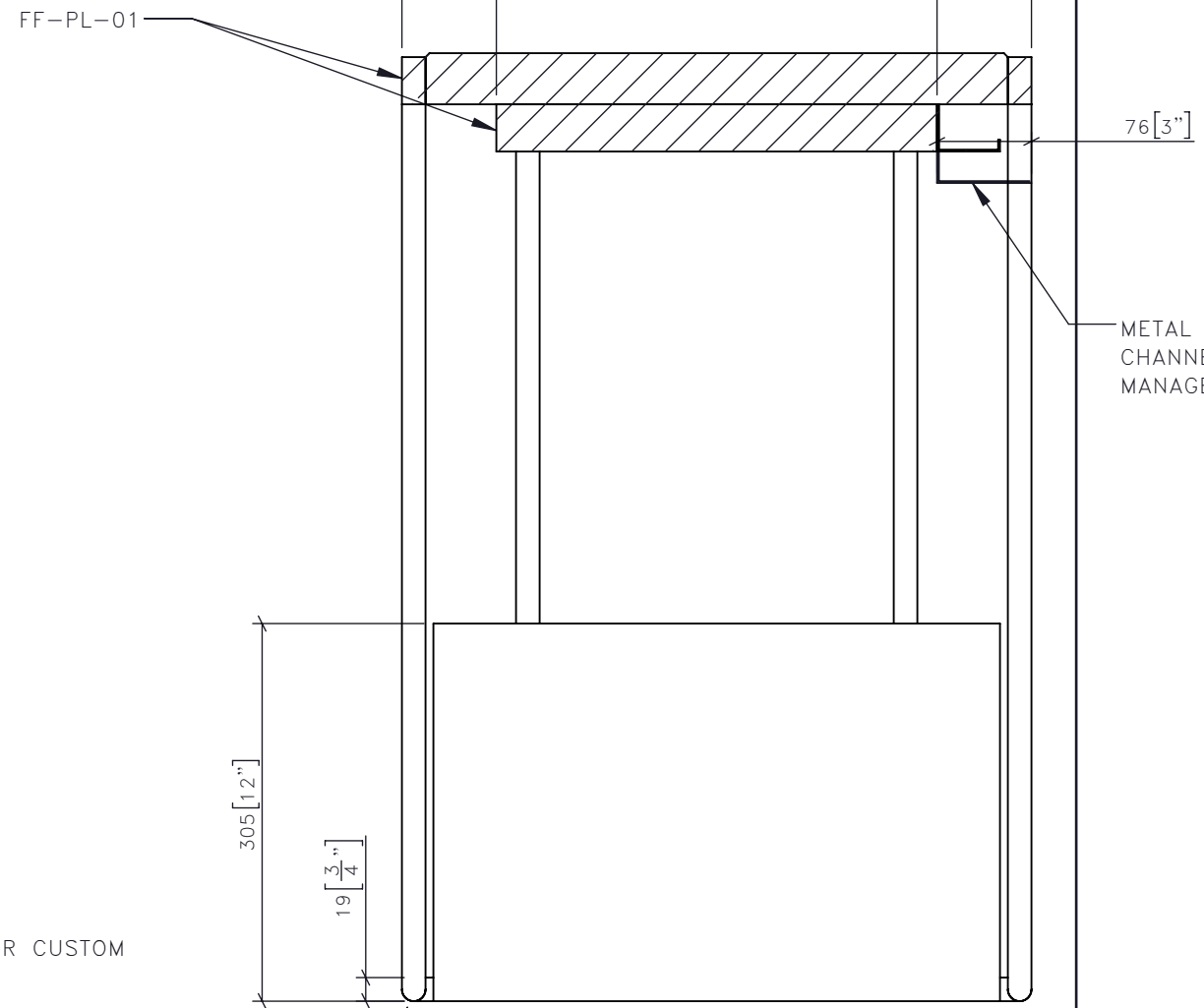
FOR DESIGN INTENT ONLY

DRAWING ARE NOT TO BE SCALED. CONTRACTOR MUST CHECK AND VERIFY ALL JOB DIMENSIONS, DRAWINGS, DETAILS AND SPECIFICATIONS; AND REPORT ANY DISCREPANCIES TO DESIGNER BEFORE PROCEEDING WITH WORK.

-REV/	-ISSUED FOR	-DATE



4 | CG-05 | 1:6 | **DESK SECTION V-V**



5 | CG-05 | 1:6 | **DESK SECTION W-W**

FF-PT-01
POWDERCOATED
FRAME WITH
LOW PROFILE GLIDES
SM TO REVIEW SAMPLE
FOR APPROVAL

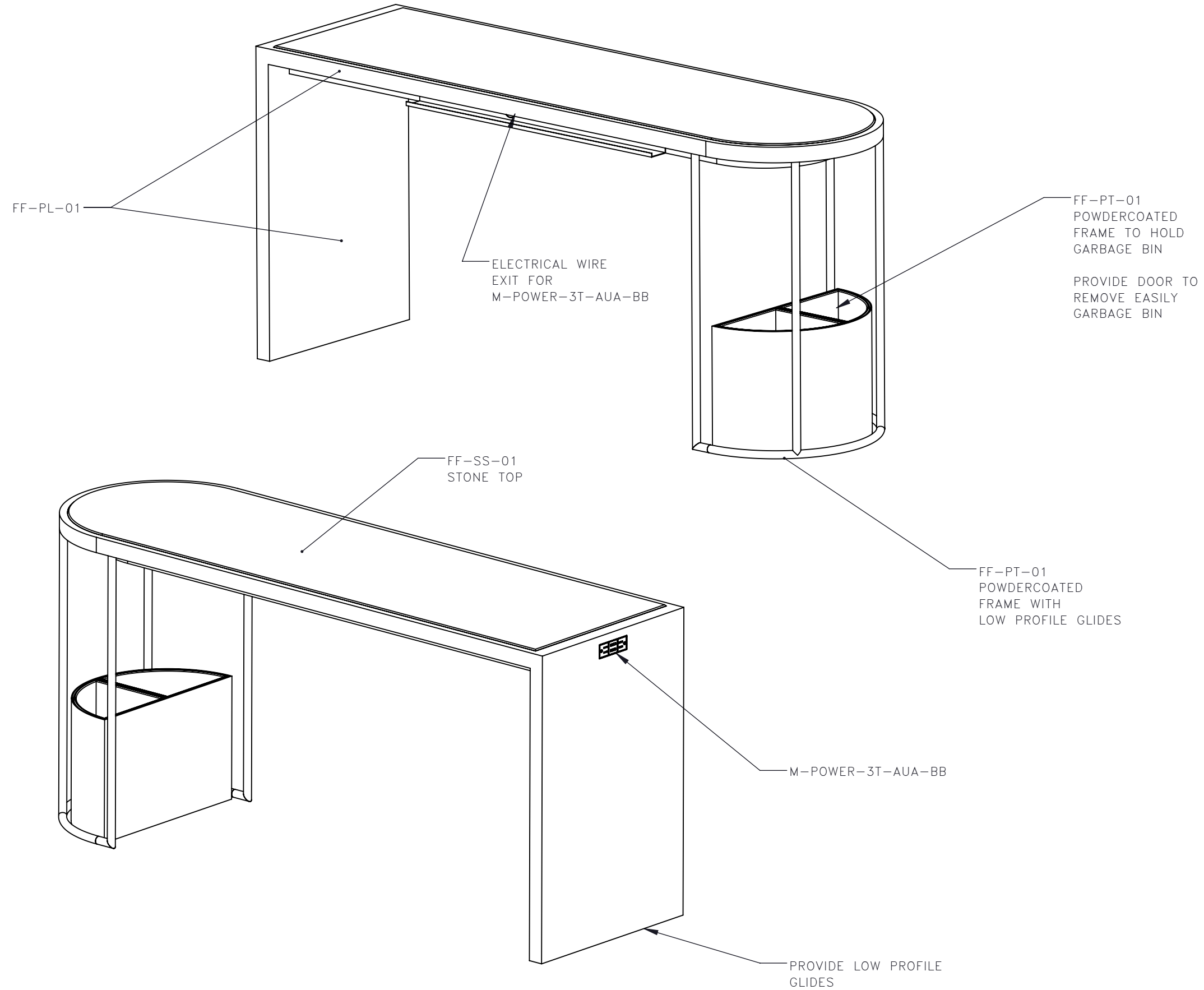
STUDIO MUNGE
25 WINGOLD AVENUE
TORONTO, ONTARIO
M6B 1P8 CANADA
416.588.1668
STUDIOMUNGE.COM

-SCALE	AS NOTED	-DATE	6/16/20
-DRAWN BY	EP	-CHECKED BY	
-PROJECT NAME	CANOPY HOTEL		
-DRAWING TITLE	CG-05 DESK		
-PROJECT NUMBER	15139		
-DRAWING NUMBER	2 / 4		

STUDIO MUNGE

FOR DESIGN INTENT ONLY

DRAWING ARE NOT TO BE SCALED. CONTRACTOR MUST CHECK AND VERIFY ALL JOB DIMENSIONS, DRAWINGS, DETAILS AND SPECIFICATIONS; AND REPORT ANY DISCREPANCIES TO DESIGNER BEFORE PROCEEDING WITH WORK.



-REV/	-ISSUED FOR	-DATE

STUDIO MUNGE
 25 WINGOLD AVENUE
 TORONTO, ONTARIO
 M6B 1P8 CANADA
 416.588.1668
 STUDIOMUNGE.COM

-SCALE AS NOTED	-DATE 6/16/20
-DRAWN BY EP	-CHECKED BY
-PROJECT NAME CANOPY HOTEL	
-DRAWING TITLE CG-05 DESK	
-PROJECT NUMBER 15139	
-DRAWING NUMBER 3 / 4	

STUDIO MUNGE
Y
E
M
D
C
B
A
Y
X

FOR DESIGN INTENT ONLY

DRAWING ARE NOT TO BE SCALED. CONTRACTOR MUST CHECK AND VERIFY ALL JOB DIMENSIONS, DRAWINGS, DETAILS AND SPECIFICATIONS; AND REPORT ANY DISCREPANCIES TO DESIGNER BEFORE PROCEEDING WITH WORK.

-REV/	-ISSUED FOR	-DATE

**STUDIO
MUNGE**
25 WINGOLD AVENUE
TORONTO, ONTARIO
M6B 1P8 CANADA
416.588.1668
STUDIOMUNGE.COM

-SCALE AS NOTED	-DATE 6/16/20
-DRAWN BY EP	-CHECKED BY
-PROJECT NAME CANOPY HOTEL	
-DRAWING TITLE CG-05 DESK	
-PROJECT NUMBER 15139	
-DRAWING NUMBER 4 / 4	

