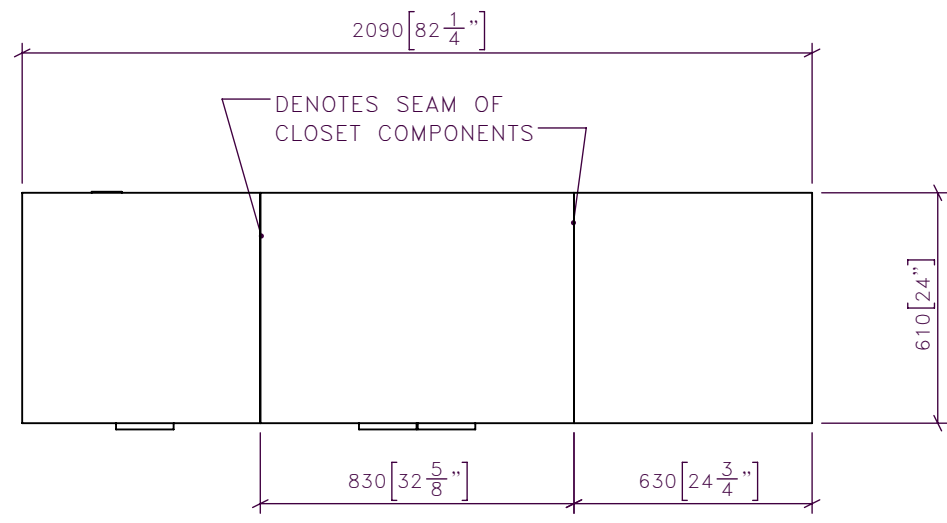


FOR DESIGN INTENT ONLY

DRAWING ARE NOT TO BE SCALED. CONTRACTOR MUST CHECK AND VERIFY ALL JOB DIMENSIONS, DRAWINGS, DETAILS AND SPECIFICATIONS; AND REPORT ANY DISCREPANCIES TO DESIGNER BEFORE PROCEEDING WITH WORK.



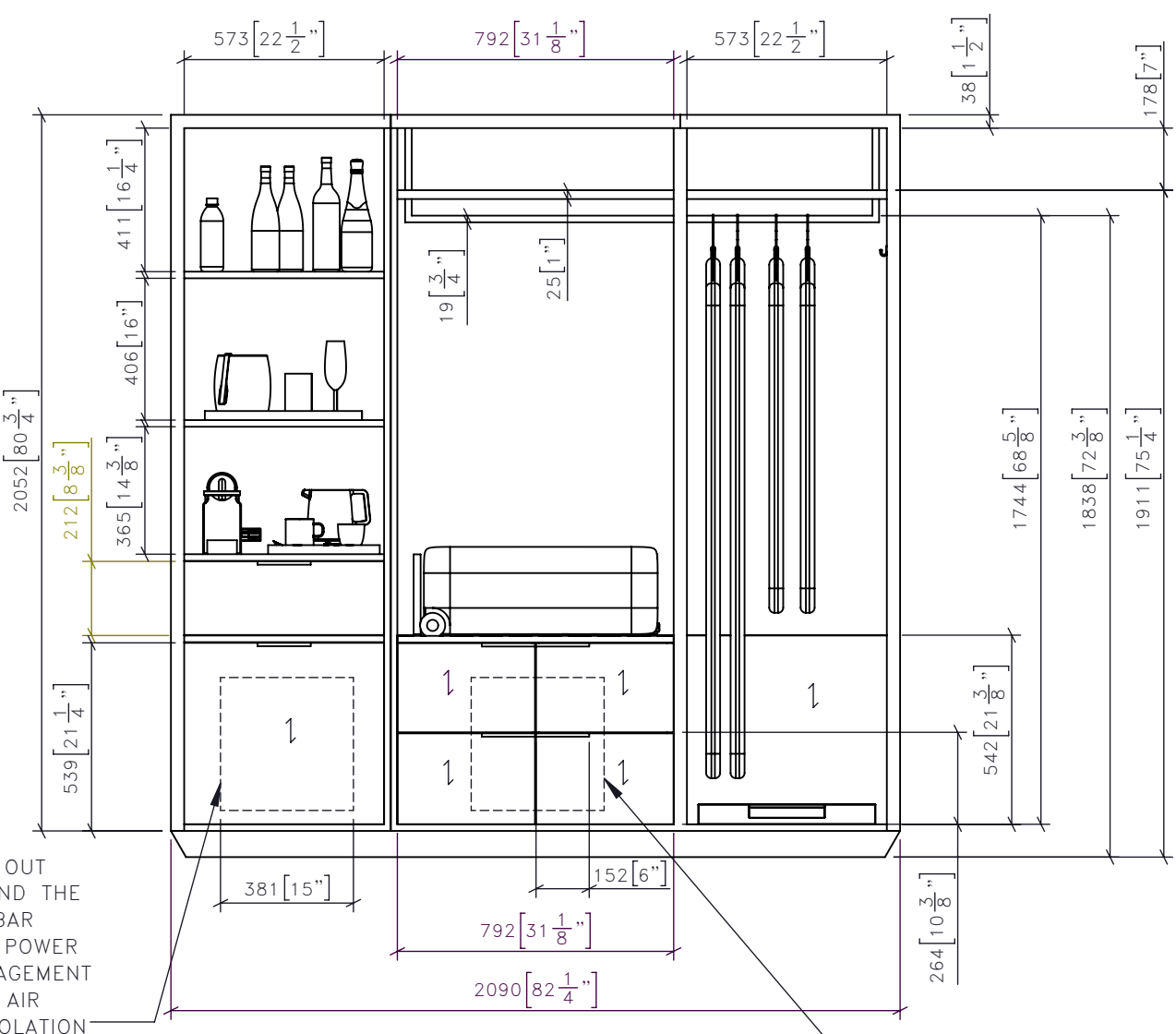
**1** CG-01 CLOSET PLAN  
1:25

NOTE: CLOSET TO BE ASSEMBLE ON SITE TO ENSURE SITE CLEARANCE

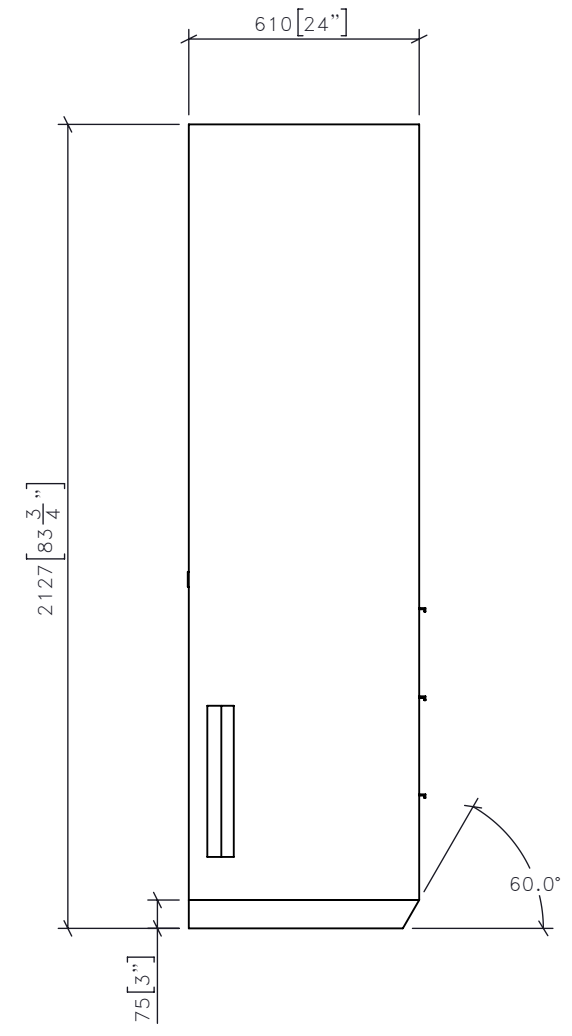
NOTE: DRAWERS INTERIOR AND SHELVES TO BE IN MELAMINE FINISH, UNLESS OTHERWISE NOTED.

NOTE: CLOSET TO BE SECURED TO WALL

REV	ISSUED FOR	DATE



**2** CG-01 CLOSET FRONT ELEVATIO  
1:25



**3** CG-01 CLOSET SIDE ELEVATION  
1:25

**STUDIO MUNGE**  
25 WINGOLD AVENUE  
TORONTO, ONTARIO  
M6B 1P8 CANADA  
416.588.1668  
STUDIOMUNGE.COM

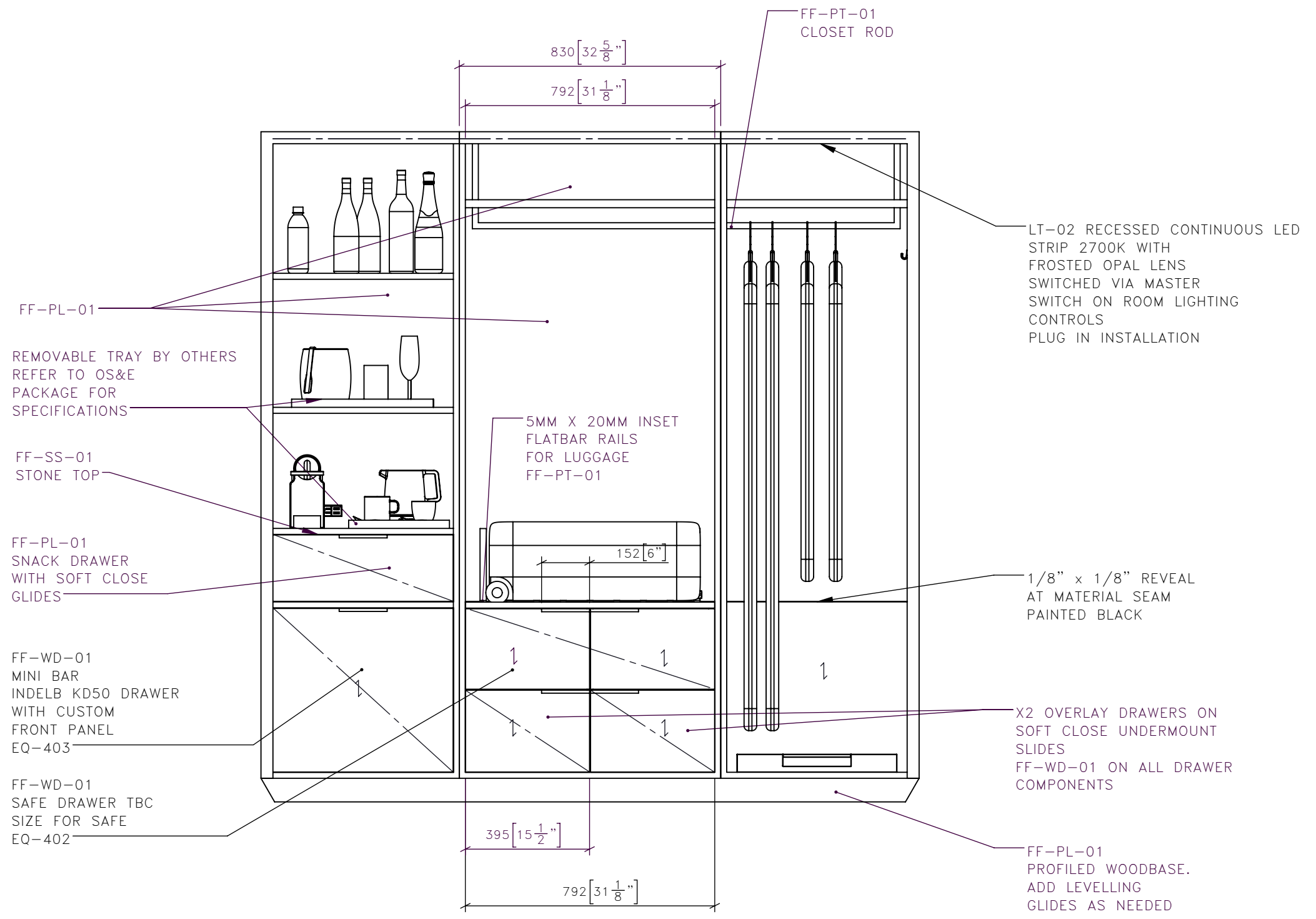
<b>SCALE</b> AS NOTED	<b>DATE</b> 6/16/20
<b>DRAWN BY</b> EH	<b>CHECKED BY</b>
<b>PROJECT NAME</b>  CANOPY BY HILTON	
<b>DRAWING TITLE</b>  CG-01 CLOSET	
<b>PROJECT NUMBER</b> 15139	
<b>DRAWING NUMBER</b> 1 / 6	

STUDIO MUNGE

FOR DESIGN INTENT ONLY

DRAWING ARE NOT TO BE SCALED. CONTRACTOR MUST CHECK AND VERIFY ALL JOB DIMENSIONS, DRAWINGS, DETAILS AND SPECIFICATIONS; AND REPORT ANY DISCREPANCIES TO DESIGNER BEFORE PROCEEDING WITH WORK.

REV	ISSUED FOR	DATE



**STUDIO MUNGE**  
 25 WINGOLD AVENUE  
 TORONTO, ONTARIO  
 M6B 1P8 CANADA  
 416.588.1668  
 STUDIOMUNGE.COM

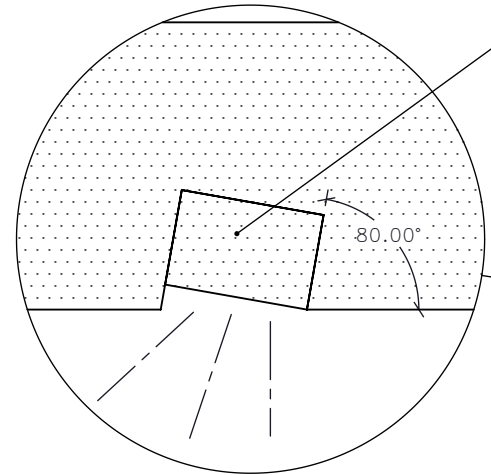
<b>SCALE</b> AS NOTED	<b>DATE</b> 6/16/20
<b>DRAWN BY</b> EH	<b>CHECKED BY</b>
<b>PROJECT NAME</b>  CANOPY BY HILTON	
<b>DRAWING TITLE</b>  CG-01 CLOSET	
<b>PROJECT NUMBER</b> 15139	
<b>DRAWING NUMBER</b> 2 / 6	

**4** | CG-01 | **CLOSET FRONT ELEVATION**  
 1:25

STUDIO MUNGE

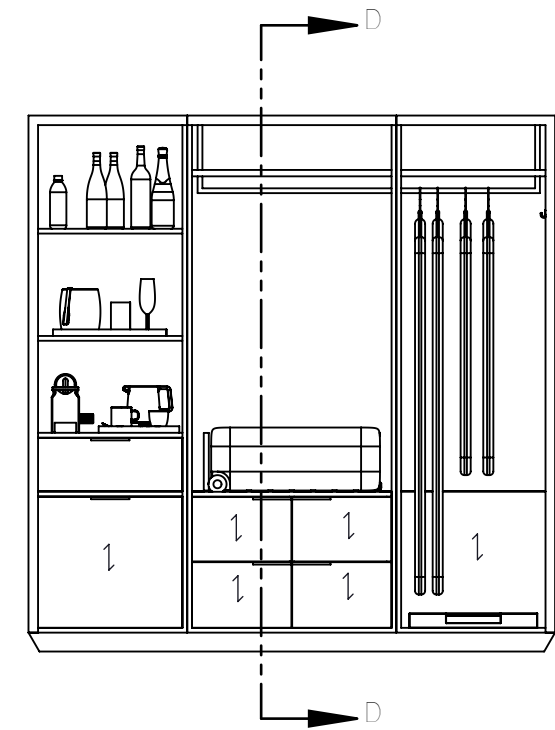
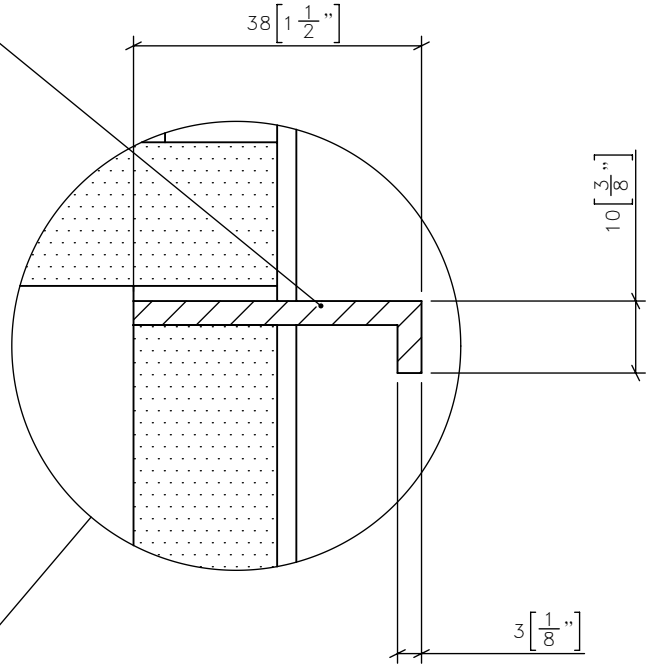
FOR DESIGN INTENT ONLY

DRAWING ARE NOT TO BE SCALED. CONTRACTOR MUST CHECK AND VERIFY ALL JOB DIMENSIONS, DRAWINGS, DETAILS AND SPECIFICATIONS; AND REPORT ANY DISCREPANCIES TO DESIGNER BEFORE PROCEEDING WITH WORK.

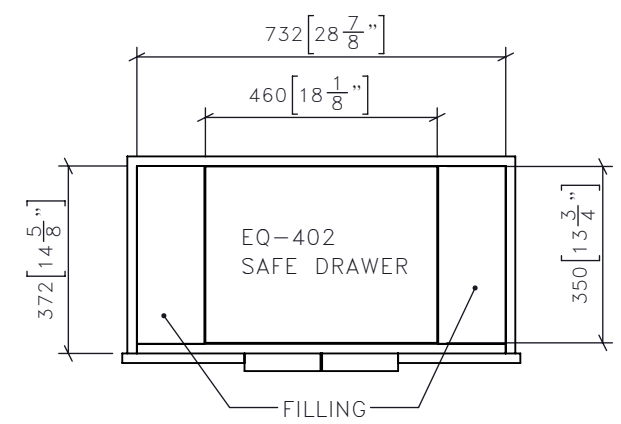
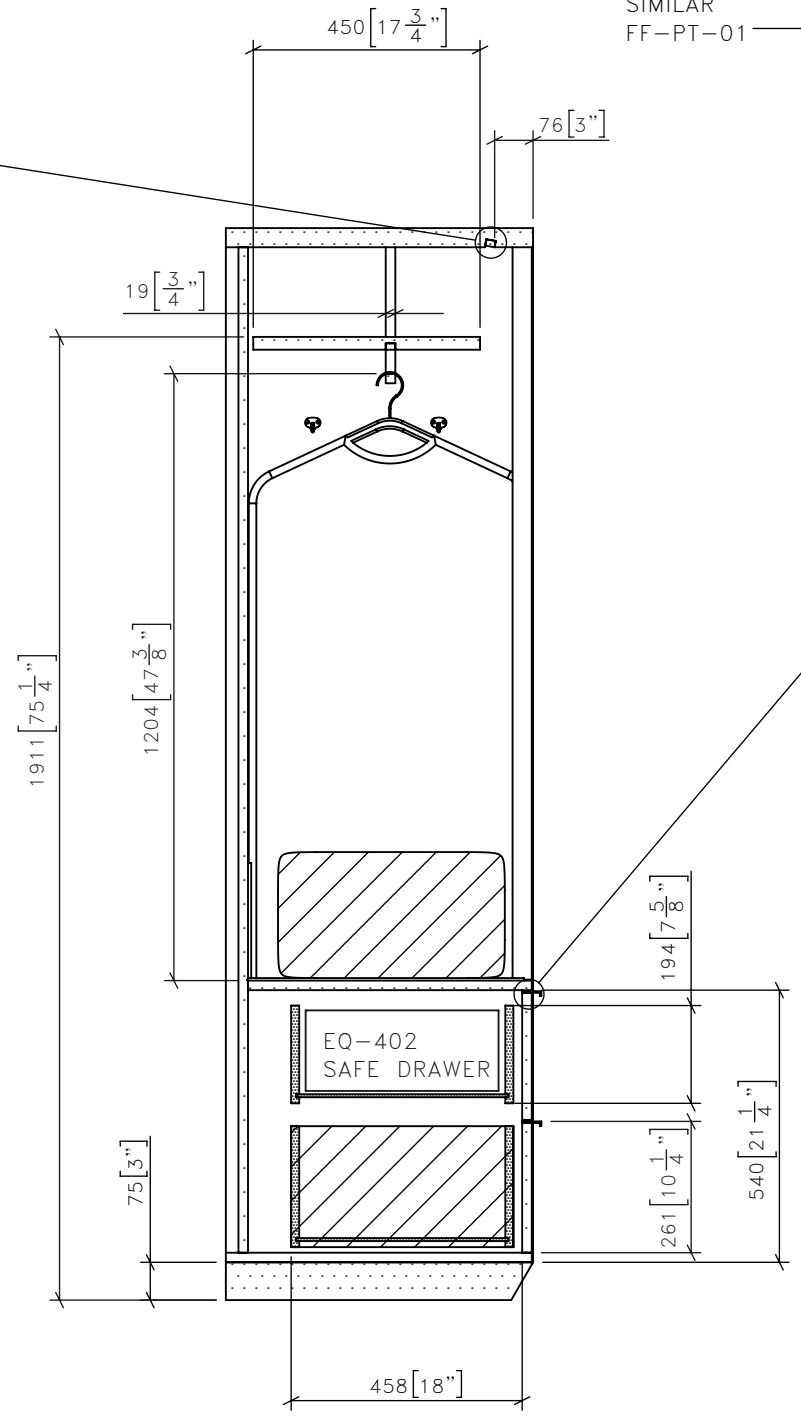


LT-02 LED DOWNLIGHT  
 2700K DIMMABLE  
 FEELUX HDP12 OR  
 APPROVED EQUAL

STANDARD SPEC  
 EDGE PULL.  
 RICHELIEU  
 EDGE PULL-576  
 OR APPROVED  
 SIMILAR  
 FF-PT-01



**4** CG-01 CLOSET  
 1:25 FRONT ELEVATION



SAFE DRAWER PLAN VIEW  
 STRUCTURAL INTEGRITY TO SUPPORT  
 AMINIMUM WEIGHT OF 55Lbs./24Kg

REV	ISSUED FOR	DATE

**STUDIO MUNGE**  
 25 WINGOLD AVENUE  
 TORONTO, ONTARIO  
 M6B 1P8 CANADA  
 416.588.1668  
 STUDIOMUNGE.COM

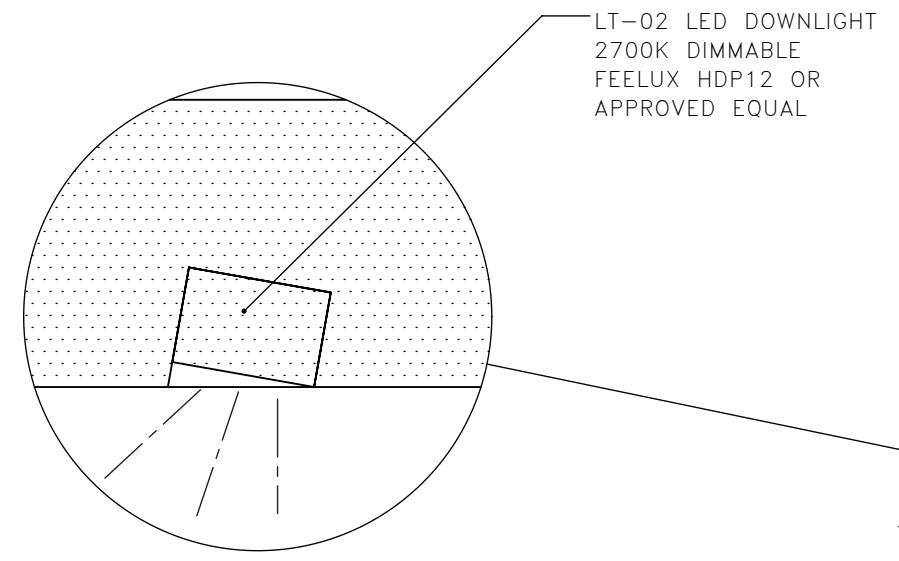
SCALE AS NOTED	DATE 6/16/20
DRAWN BY EH	CHECKED BY
PROJECT NAME  CANOPY BY HILTON	
DRAWING TITLE  CG-01 CLOSET	
PROJECT NUMBER 15139	
DRAWING NUMBER 3 / 6	

STUDIO MUNGE

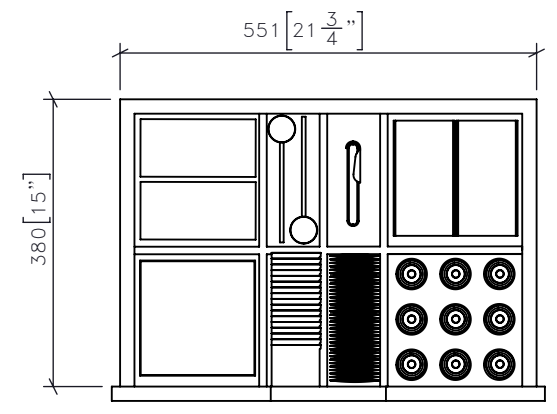
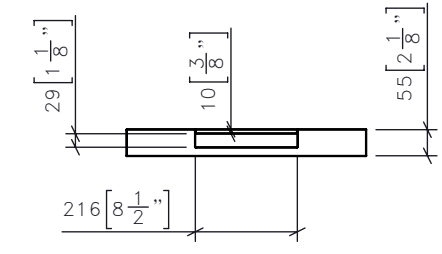
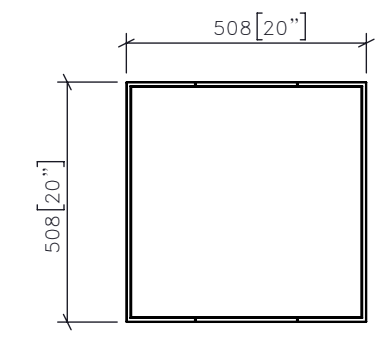
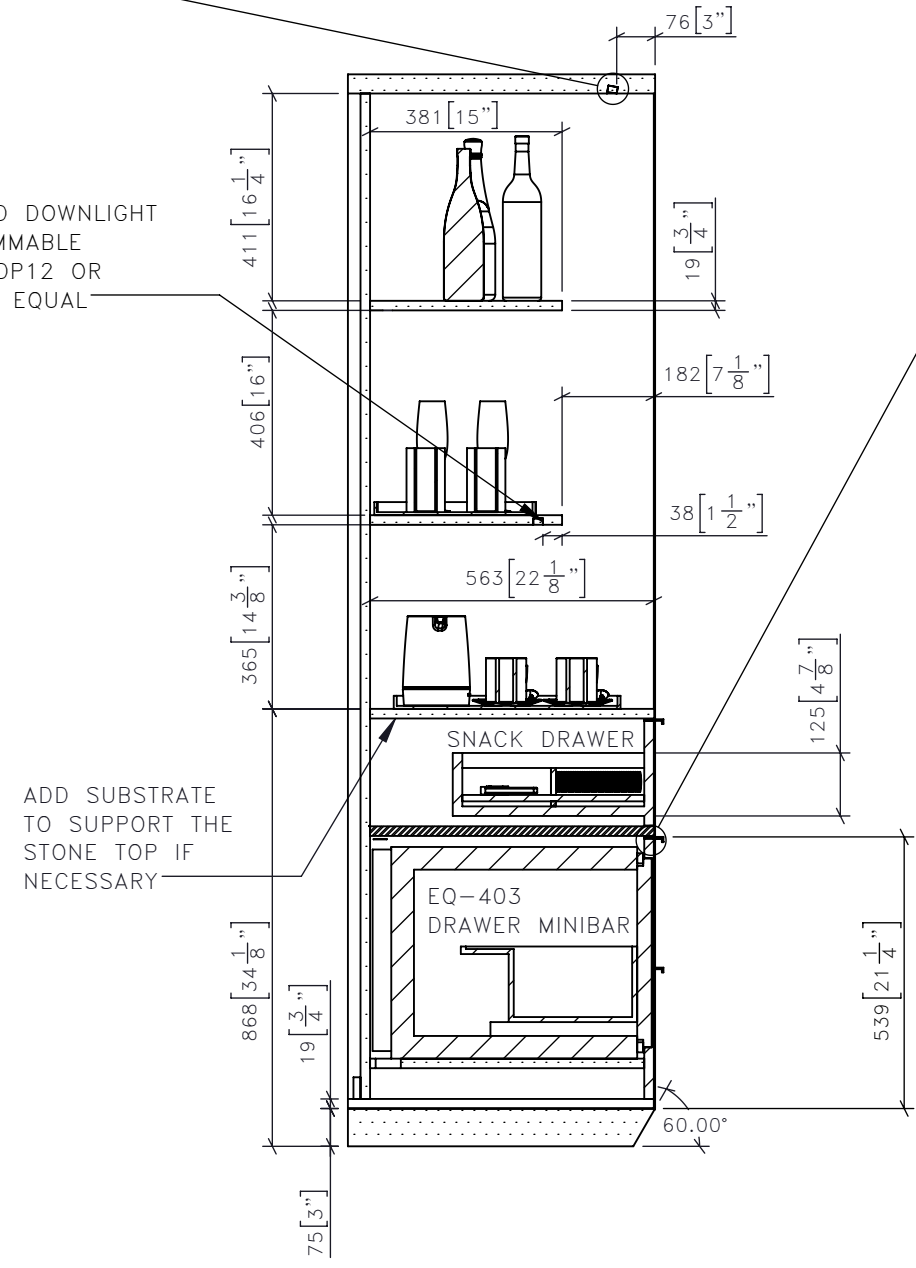
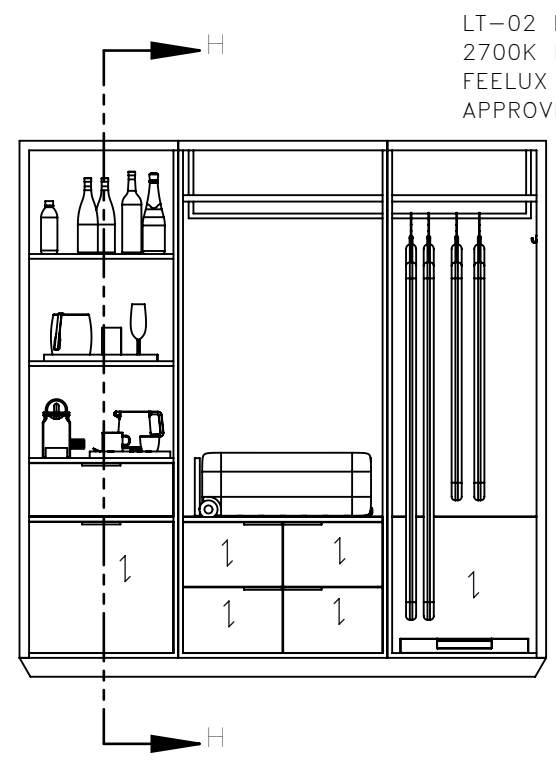
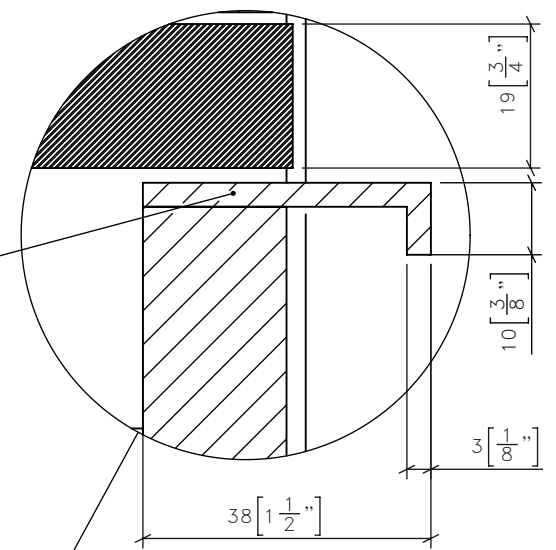
FOR DESIGN INTENT ONLY

DRAWING ARE NOT TO BE SCALED. CONTRACTOR MUST CHECK AND VERIFY ALL JOB DIMENSIONS, DRAWINGS, DETAILS AND SPECIFICATIONS, AND REPORT ANY DISCREPANCIES TO DESIGNER BEFORE PROCEEDING WITH WORK.

REV	ISSUED FOR	DATE



STANDARD SPEC  
EDGE PULL.  
RICHELIEU  
EDGE PULL-576  
OR APPROVED  
SIMILAR  
FF-PT-01



SNACK DRAWER PLAN VIEW  
REFER TO CANOPY STANDARDS FOR  
EQUIPMENT FITTING.  
ALL DIVIDERS TO BE ADJUSTABLE

STUDIO MUNGE  
25 WINGOLD AVENUE  
TORONTO, ONTARIO  
M6B 1P8 CANADA  
416.588.1668  
STUDIOMUNGE.COM

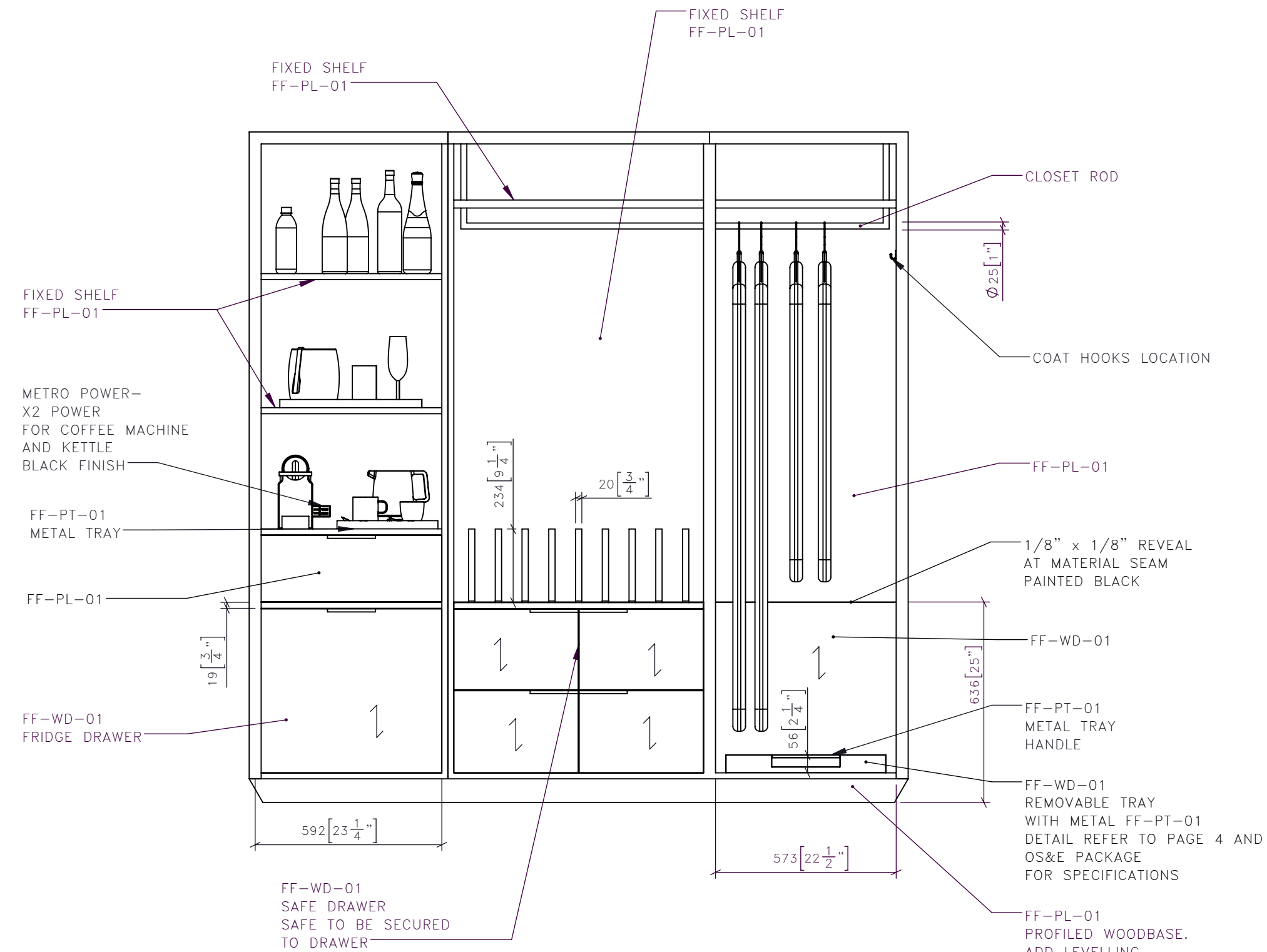
SCALE AS NOTED	DATE 6/16/20
DRAWN BY EH	CHECKED BY
PROJECT NAME  CANOPY BY HILTON	
DRAWING TITLE  CG-01 CLOSET	
PROJECT NUMBER 15139	
DRAWING NUMBER 4 / 6	

5 CG-01 CLOSET FRONT ELEVATION 1:25

FOR DESIGN INTENT ONLY

DRAWING ARE NOT TO BE SCALED. CONTRACTOR MUST CHECK AND VERIFY ALL JOB DIMENSIONS, DRAWINGS, DETAILS AND SPECIFICATIONS; AND REPORT ANY DISCREPANCIES TO DESIGNER BEFORE PROCEEDING WITH WORK.

REV	ISSUED FOR	DATE



**STUDIO MUNGE**  
 25 WINGOLD AVENUE  
 TORONTO, ONTARIO  
 M6B 1P8 CANADA  
 416.588.1668  
 STUDIOMUNGE.COM

<b>SCALE</b> AS NOTED	<b>DATE</b> 6/16/20
<b>DRAWN BY</b> EH	<b>CHECKED BY</b>
<b>PROJECT NAME</b> CANOPY BY HILTON	
<b>DRAWING TITLE</b> CG-01 CLOSET	
<b>PROJECT NUMBER</b> 15139	
<b>DRAWING NUMBER</b> 5 / 6	

**6** | CG-01 | CLOSET FRONT ELEVATION  
 1:25

STUDIO MUNGE  
E  
D  
C  
B  
A  
Y

FOR DESIGN INTENT ONLY

DRAWING ARE NOT TO BE SCALED. CONTRACTOR MUST CHECK AND VERIFY ALL JOB DIMENSIONS, DRAWINGS, DETAILS AND SPECIFICATIONS; AND REPORT ANY DISCREPANCIES TO DESIGNER BEFORE PROCEEDING WITH WORK.

REV	ISSUED FOR	DATE



**STUDIO MUNGE**  
25 WINGOLD AVENUE  
TORONTO, ONTARIO  
M6B 1P8 CANADA  
416.588.1668  
STUDIOMUNGE.COM

<b>SCALE</b> AS NOTED	<b>DATE</b> 6/16/20
<b>DRAWN BY</b> EH	<b>CHECKED BY</b>
<b>PROJECT NAME</b>  CANOPY BY HILTON	
<b>DRAWING TITLE</b>  CG-01 CLOSET	
<b>PROJECT NUMBER</b> 15139	
<b>DRAWING NUMBER</b> 6 / 6	

6 CG-01 CLOSET  
NTS RENDERED VIEW