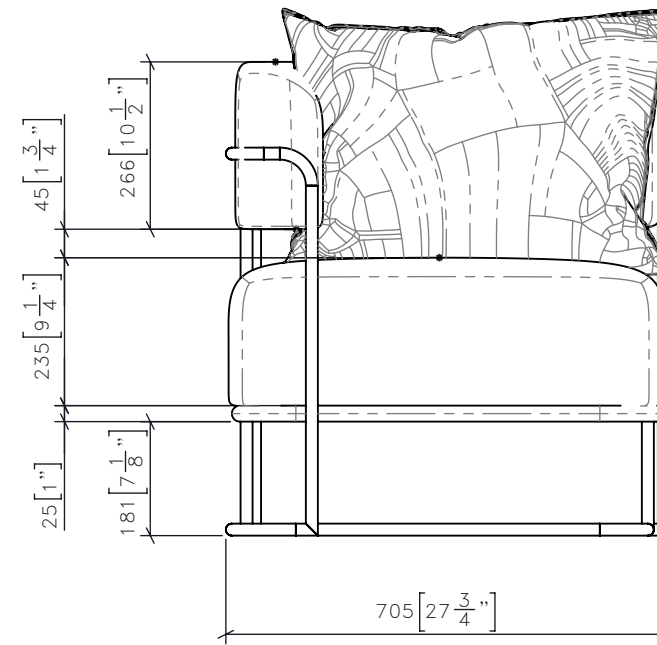
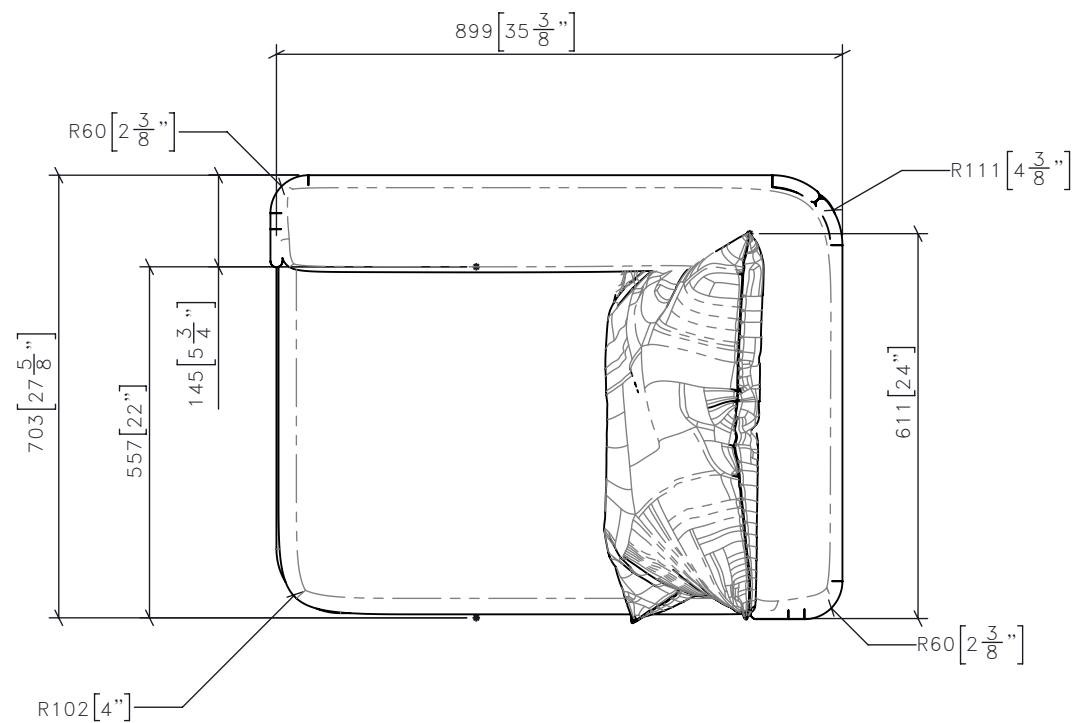


1 SG-03
1:12 **DQ CHAISE LOUNGE
FRONT ELEVATION**



3 SG-03
1:12 **DQ CHAISE LOUNGE
SIDE ELEVATION**



2 SG-03
1:12 **DQ CHAISE LOUNGE
PLAN**

-REV/	-ISSUED FOR	-DATE

**STUDIO
MUNGE**
25 WINGOLD AVENUE
TORONTO, ONTARIO
M6B 1P8 CANADA
416.588.1668
STUDIOMUNGE.COM

-SCALE AS NOTED	-DATE 5/7/20
-DRAWN BY EP	-CHECKED BY
-PROJECT NAME CANOPY HOTEL	
-DRAWING TITLE SG-03 DQ CHAISE LOUNGE	
-PROJECT NUMBER 15139	
-DRAWING NUMBER 1 / 3	

STUDIO MUNGE

FOR DESIGN INTENT ONLY

DRAWING ARE NOT TO BE SCALED. CONTRACTOR MUST CHECK AND VERIFY ALL JOB DIMENSIONS, DRAWINGS, DETAILS AND SPECIFICATIONS; AND REPORT ANY DISCREPANCIES TO DESIGNER BEFORE PROCEEDING WITH WORK.

-REV/	-ISSUED FOR	-DATE

STUDIO MUNGE
 25 WINGOLD AVENUE
 TORONTO, ONTARIO
 M6B 1P8 CANADA
 416.588.1668
 STUDIOMUNGE.COM

-SCALE AS NOTED	-DATE 5/7/20
-DRAWN BY EP	-CHECKED BY
-PROJECT NAME CANOPY HOTEL	
-DRAWING TITLE SG-03 DQ CHAISE LOUNGE	
-PROJECT NUMBER 15139	
-DRAWING NUMBER 2 / 3	

AC-01
LOOSE THROW PILLOW

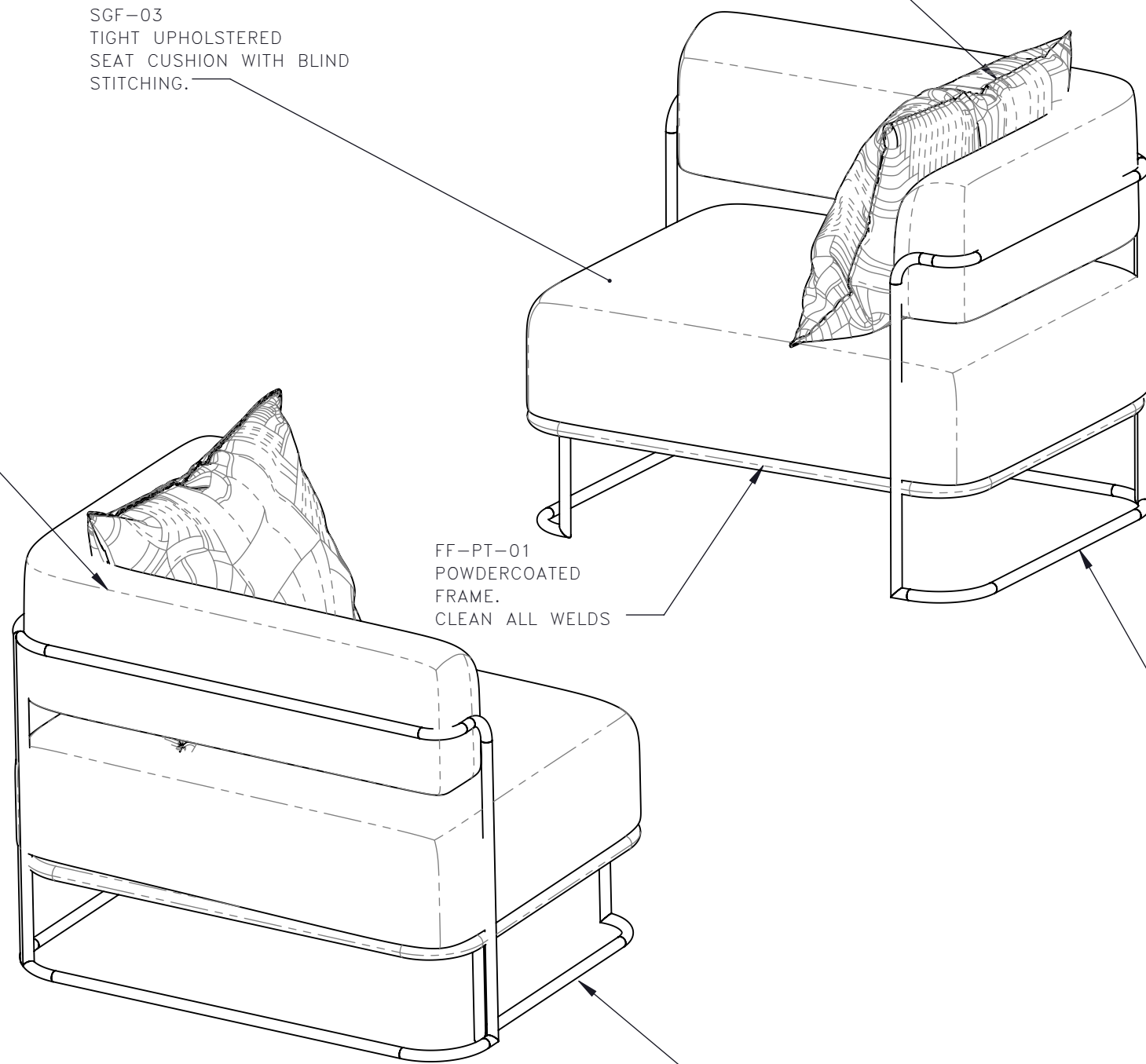
SGF-03
TIGHT UPHOLSTERED
SEAT CUSHION WITH BLIND
STITCHING.

SGF-03
TIGHT UPHOLSTERED
BACKREST.
TO BE SECURED TO
METAL FRAME

FF-PT-01
POWDERCOATED
FRAME.
CLEAN ALL WELDS

FF-PT-01
POWDERCOATED
TUBE FRAME.
CLEAN ALL WELDS

PROVIDE EAVY DUTY
LOW PROFILE GLIDES



STUDIO MUNGE
Y
E
M
D
C
B
A
Y

1 2 3 4 5 6

FOR DESIGN INTENT ONLY

DRAWING ARE NOT TO BE SCALED. CONTRACTOR MUST CHECK AND VERIFY ALL JOB DIMENSIONS, DRAWINGS, DETAILS AND SPECIFICATIONS; AND REPORT ANY DISCREPANCIES TO DESIGNER BEFORE PROCEEDING WITH WORK.

-REV/	-ISSUED FOR	-DATE



**STUDIO
MUNGE** 25 WINGOLD AVENUE
TORONTO, ONTARIO
M6B 1P8 CANADA
416.588.1668
STUDIOMUNGE.COM

-SCALE AS NOTED **-DATE** 5/7/20

-DRAWN BY EP **-CHECKED BY**

-PROJECT NAME
CANOPY HOTEL

-DRAWING TITLE
SG-03
DQ CHAISE LOUNGE

-PROJECT NUMBER
15139

-DRAWING NUMBER
3 / 3

1 2 3 4 5 6