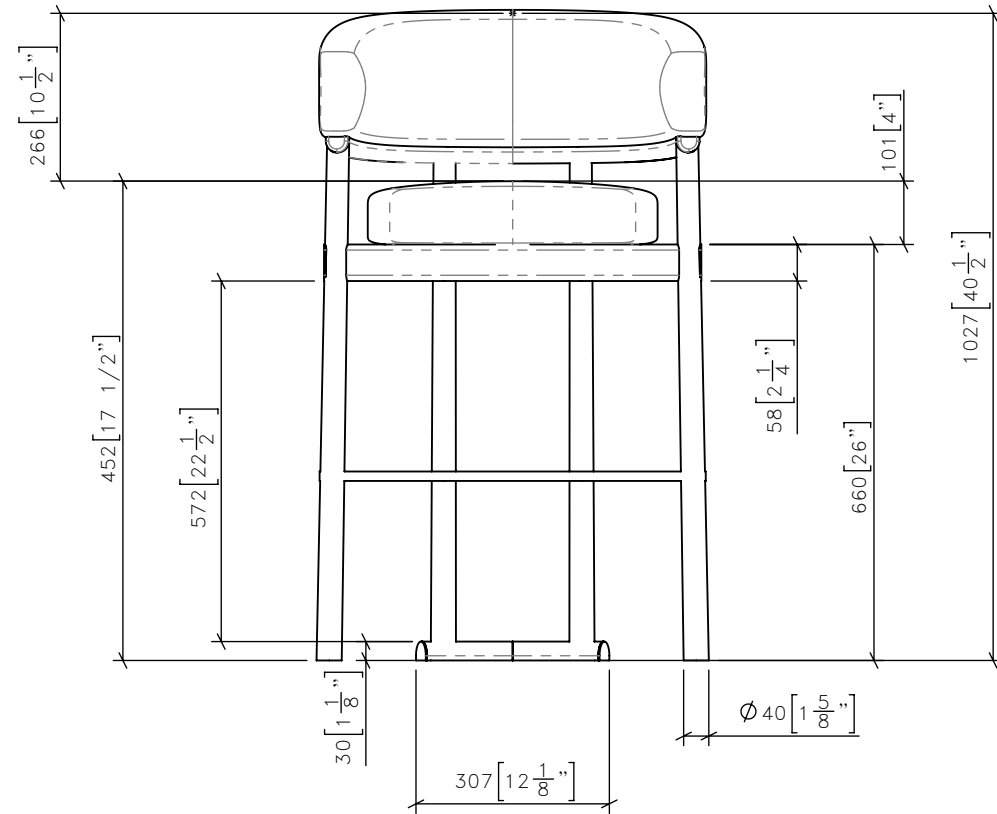
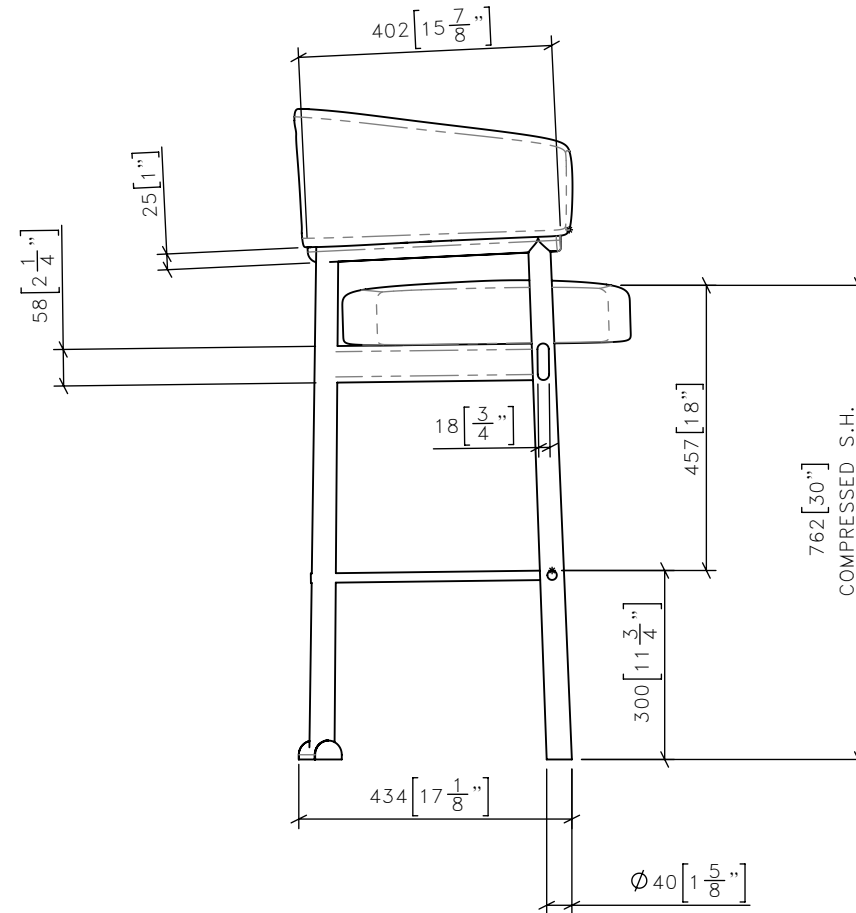


FOR DESIGN INTENT ONLY

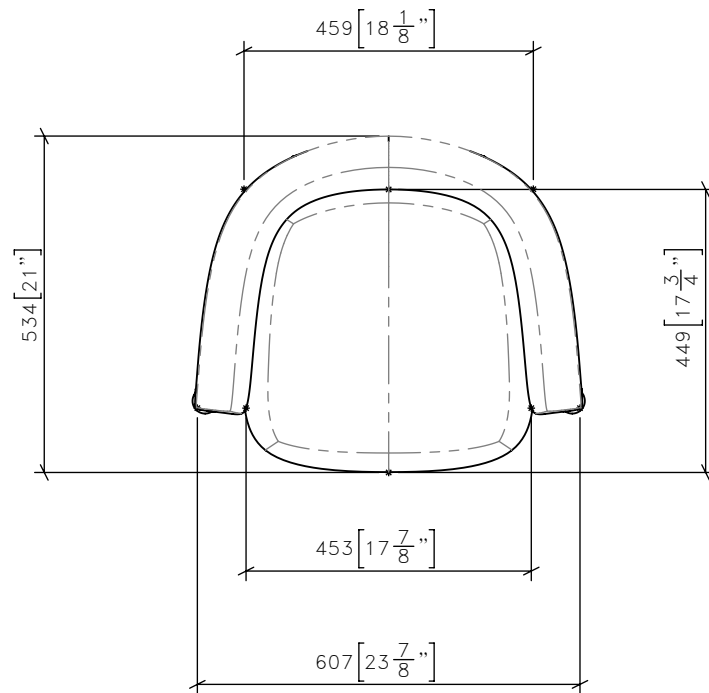
DRAWING ARE NOT TO BE SCALED. CONTRACTOR MUST CHECK AND VERIFY ALL JOB DIMENSIONS, DRAWINGS, DETAILS AND SPECIFICATIONS; AND REPORT ANY DISCREPANCIES TO DESIGNER BEFORE PROCEEDING WITH WORK.



**1** | SG-XX | SKY LOUNGE BAR STOOL  
1:12 | FRONT ELEVATION



**3** | SG-XX | SKY LOUNGE BAR STOOL  
1:12 | SIDE ELEVATION



**2** | SG-XX | SKY LOUNGE BAR STOOL  
1:12 | PLAN

-REV/	-ISSUED FOR	-DATE

**STUDIO MUNGE**  
25 WINGOLD AVENUE  
TORONTO, ONTARIO  
M6B 1P8 CANADA  
416.588.1668  
STUDIOMUNGE.COM

**-SCALE**  
AS NOTED

**-DATE**  
8/28/18

**-DRAWN BY**  
AM

**-CHECKED BY**

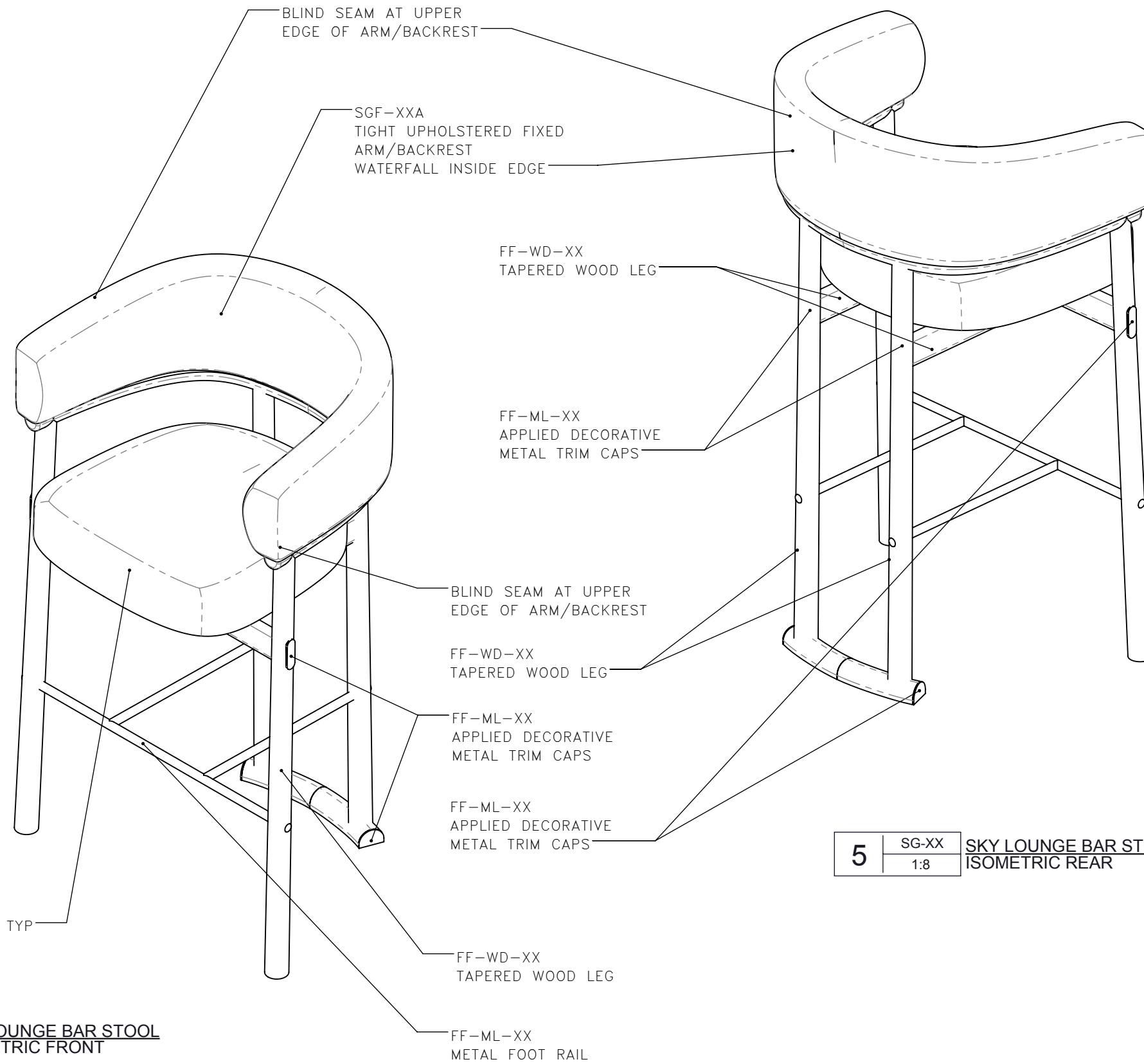
**-PROJECT NAME**  
  
SHANGRILA NANNING

**-DRAWING TITLE**  
  
SG-XX  
SKY LOUNGE BAR STOOL

**-PROJECT NUMBER**  
16108

**-DRAWING NUMBER**  
1 / 4

-REV/	-ISSUED FOR	-DATE



**STUDIO  
MUNGE** 25 WINGOLD AVENUE  
TORONTO, ONTARIO  
M6B 1P8 CANADA  
416.588.1668  
STUDIOMUNGE.COM

**-SCALE**  
AS NOTED **-DATE**  
8/28/18

**-DRAWN BY**  
AM **-CHECKED BY**

**-PROJECT NAME**  
  
SHANGRILA NANNING

**-DRAWING TITLE**  
  
SG-XX  
SKY LOUNGE BAR STOOL

**-PROJECT NUMBER**  
16108

**-DRAWING NUMBER**  
2 / 4

**4** | SG-XX | 1:8 | SKY LOUNGE BAR STOOL  
ISOMETRIC FRONT

**5** | SG-XX | 1:8 | SKY LOUNGE BAR STOOL  
ISOMETRIC REAR

STUDIO MUNGE  
Y  
E  
M  
D  
C  
B  
A  
Y

FOR DESIGN INTENT ONLY

DRAWING ARE NOT TO BE SCALED. CONTRACTOR MUST CHECK AND VERIFY ALL JOB DIMENSIONS, DRAWINGS, DETAILS AND SPECIFICATIONS; AND REPORT ANY DISCREPANCIES TO DESIGNER BEFORE PROCEEDING WITH WORK.

-REV/	-ISSUED FOR	-DATE



**STUDIO MUNGE**  
25 WINGOLD AVENUE  
TORONTO, ONTARIO  
M6B 1P8 CANADA  
416.588.1668  
STUDIOMUNGE.COM

**-SCALE**  
AS NOTED

**-DATE**  
8/28/18

**-DRAWN BY**  
AM

**-CHECKED BY**

**-PROJECT NAME**  
  
SHANGRILA NANNING

**-DRAWING TITLE**  
  
SG-XX  
SKY LOUNGE BAR STOOL

**-PROJECT NUMBER**  
16108

**-DRAWING NUMBER**  
3 / 4

STUDIO MUNGE  
Y  
E  
M  
D  
C  
B  
A  
Y

FOR DESIGN INTENT ONLY

DRAWING ARE NOT TO BE SCALED. CONTRACTOR MUST CHECK AND VERIFY ALL JOB DIMENSIONS, DRAWINGS, DETAILS AND SPECIFICATIONS; AND REPORT ANY DISCREPANCIES TO DESIGNER BEFORE PROCEEDING WITH WORK.

-REV/	-ISSUED FOR	-DATE



**STUDIO  
MUNGE**  
25 WINGOLD AVENUE  
TORONTO, ONTARIO  
M6B 1P8 CANADA  
416.588.1668  
STUDIOMUNGE.COM

**-SCALE**  
AS NOTED

**-DATE**  
8/28/18

**-DRAWN BY**  
AM

**-CHECKED BY**

**-PROJECT NAME**  
SHANGRILA NANNING

**-DRAWING TITLE**  
SG-XX  
SKY LOUNGE BAR STOOL

**-PROJECT NUMBER**  
16108

**-DRAWING NUMBER**  
4 / 4