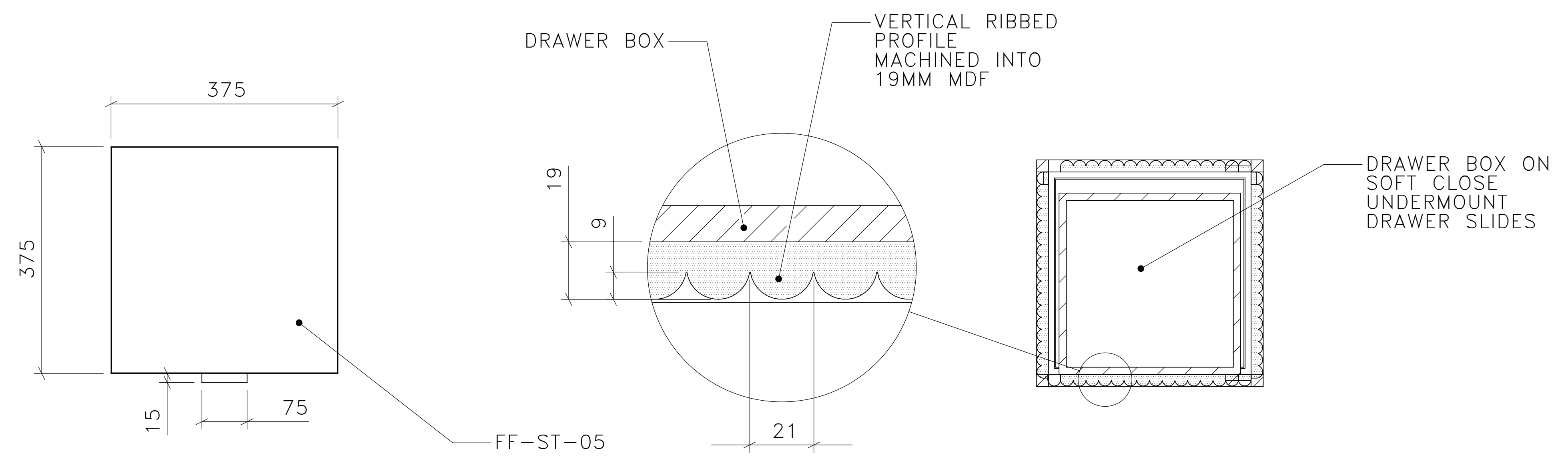


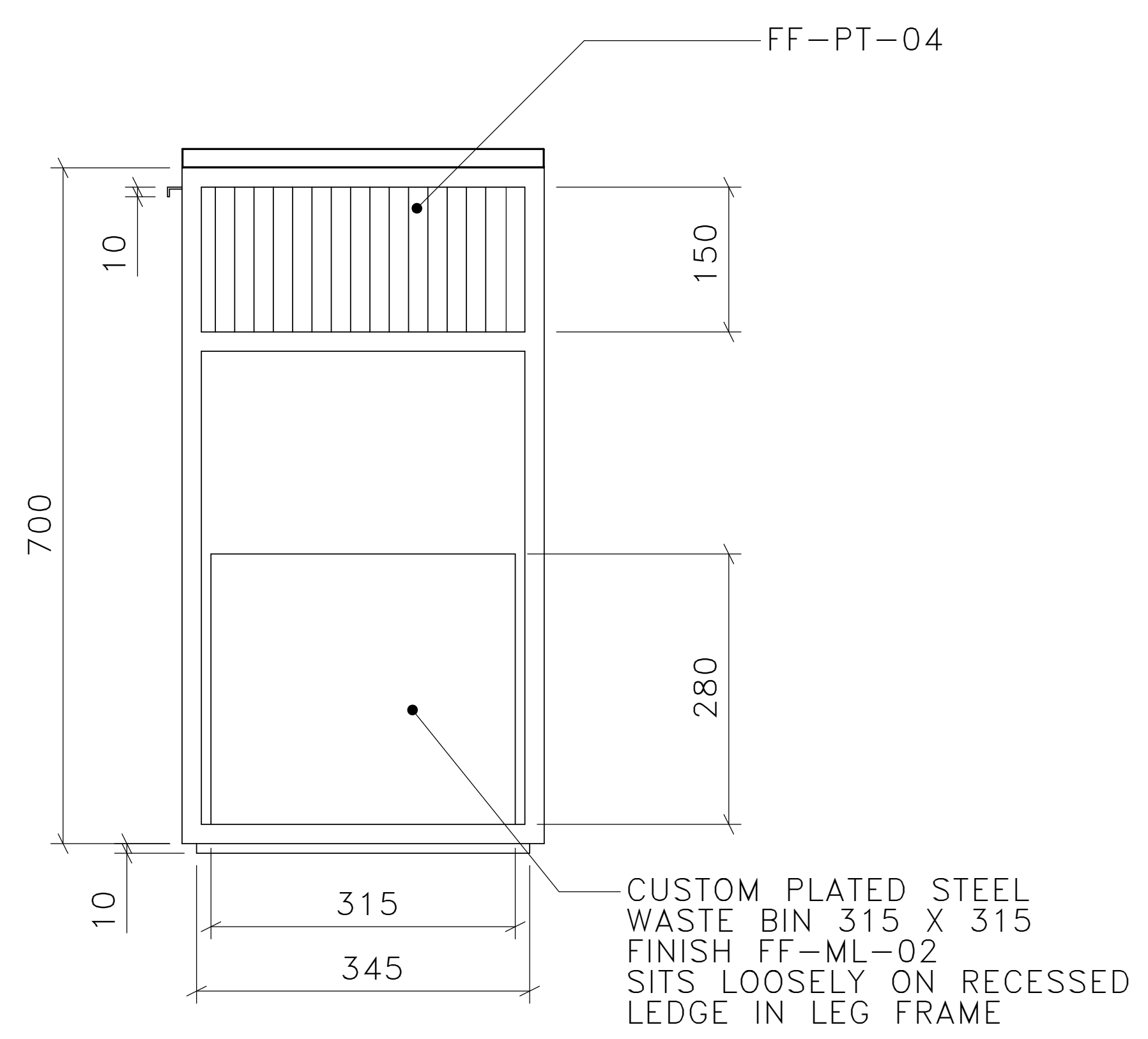
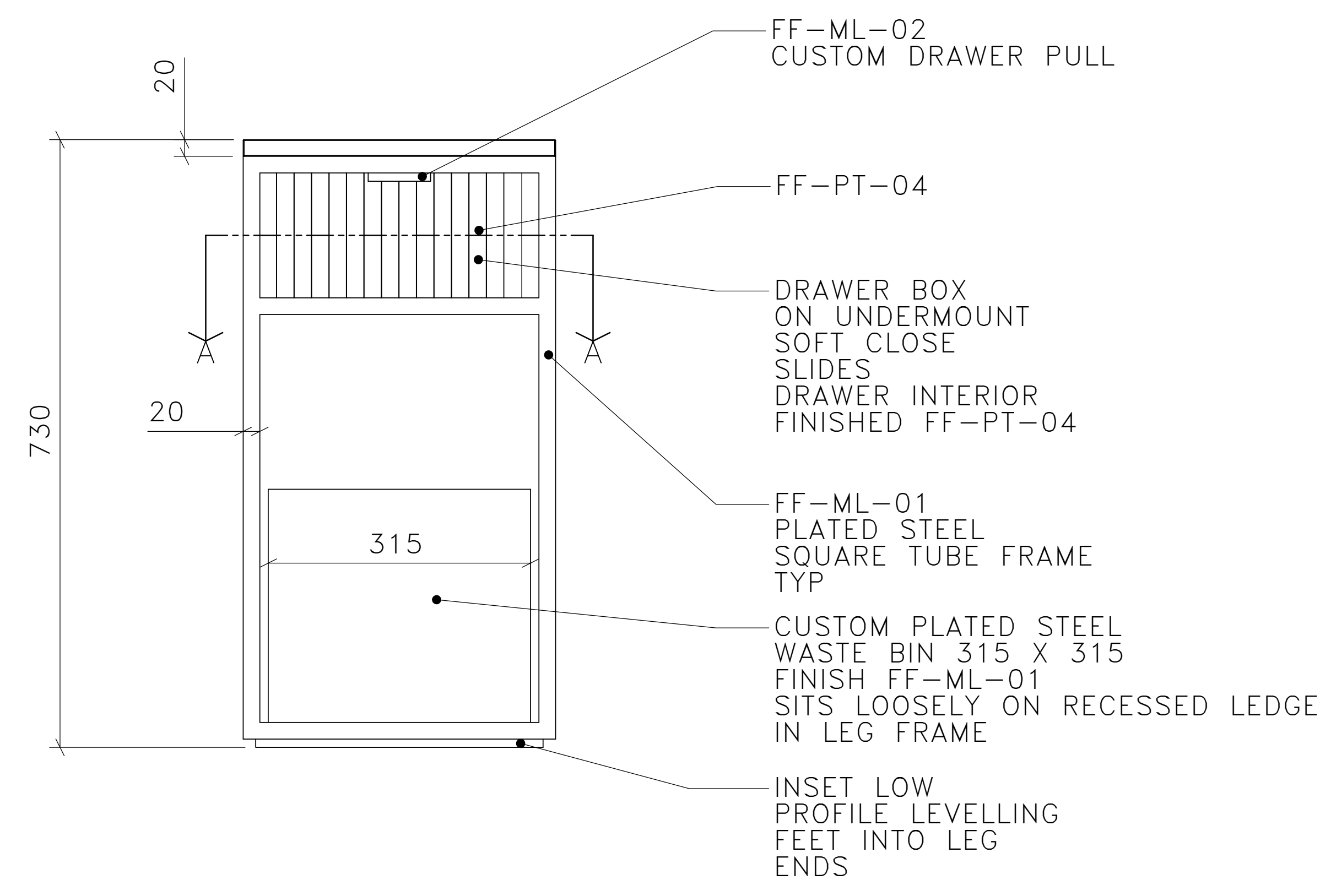
DRAWING ARE NOT TO BE SCALED. CONTRACTOR MUST CHECK AND VERIFY ALL JOB DIMENSIONS, DRAWINGS, DETAILS AND SPECIFICATIONS; AND REPORT ANY DISCREPANCIES TO DESIGNER BEFORE PROCEEDING WITH WORK.

| REV | ISSUED FOR | DATE |
|-----|------------|------|
| | | |



1 CG-201C-LT TYPICAL VANITY W/GARBAGE LT
1:10 PLAN

3 CG-201C-LT TYPICAL VANITY W/GARBAGE LT
1:10 SECTION A



2 CG-201C-LT TYPICAL VANITY W/GARBAGE LT
1:10 FRONT ELEVATION

4 CG-201C-LT TYPICAL VANITY W/GARBAGE LT
1:10 SIDE ELEVATION

STUDIO MUNGE
 25 WINGOLD AVENUE
 TORONTO, ONTARIO
 M6B 1P8 CANADA
 416.588.1668
 STUDIOMUNGE.COM

SCALE AS NOTED DATE 1/10/17

DRAWN BY AM CHECKED BY

PROJECT NAME
 BISHA HOTEL

DRAWING TITLE
 CG-201C-LT TYPICAL VANITY W/ GARBAGE LT

PROJECT NUMBER
 28104

DRAWING NUMBER
 1 / 2

STUDIO MUNGE
Y
E
F
D
C
B
A
Y
X

1 2 3 4 5 6

DRAWING ARE NOT TO BE SCALED. CONTRACTOR MUST CHECK AND VERIFY ALL JOB DIMENSIONS, DRAWINGS, DETAILS AND SPECIFICATIONS; AND REPORT ANY DISCREPANCIES TO DESIGNER BEFORE PROCEEDING WITH WORK.

| REV | ISSUED FOR | DATE |
|-----|------------|------|
| | | |



**STUDIO
MUNGE**
25 WINGOLD AVENUE
TORONTO, ONTARIO
M6B 1P8 CANADA
416.588.1668
STUDIOMUNGE.COM

SCALE
AS NOTED

DATE
1/10/17

DRAWN BY
AM

CHECKED BY

PROJECT NAME

BISHA HOTEL

DRAWING TITLE

CG-201C-LT
TYPICAL VANITY W/ GARBAGE LT

PROJECT NUMBER
28104

DRAWING NUMBER
2 / 2

5 CG-201C-LT TYPICAL VANITY W/GARBAGE LT
NTS RENDERED VIEW

1 2 3 4 5 6