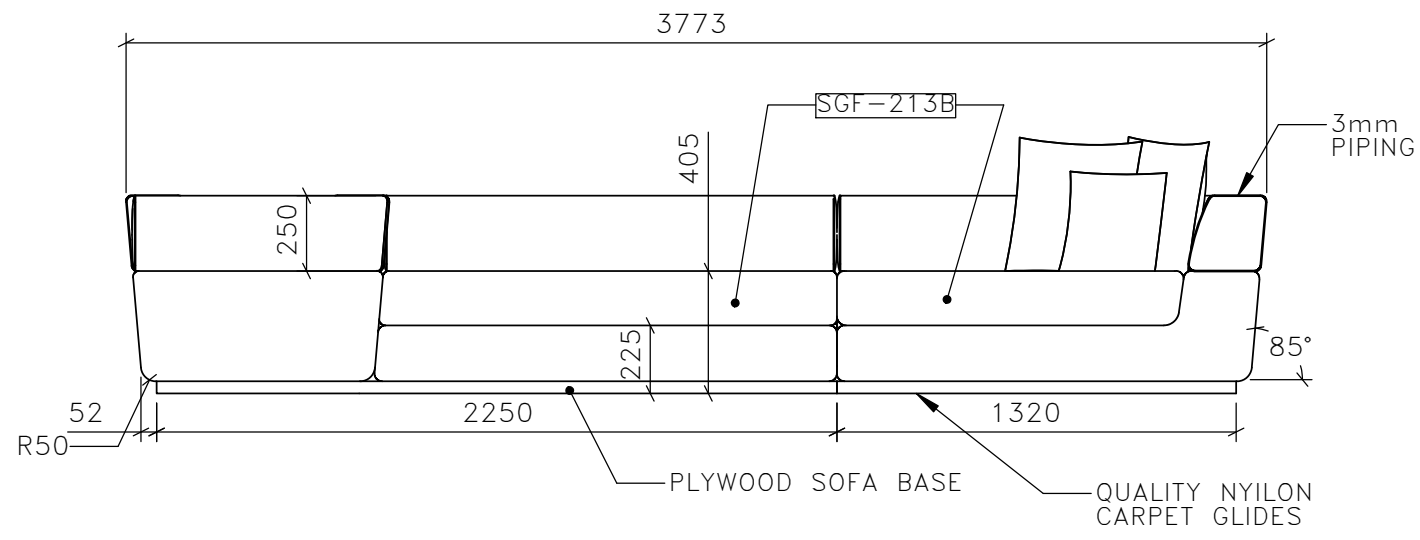


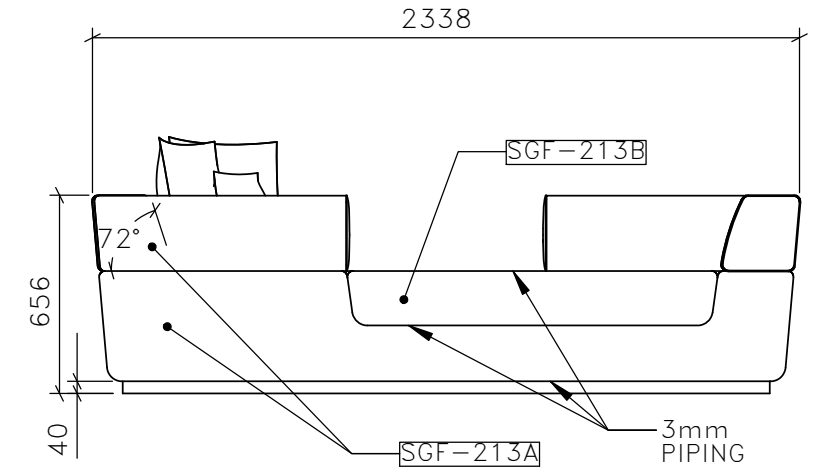
STUDIO MUNGE

DRAWING ARE NOT TO BE SCALED. CONTRACTOR MUST CHECK AND VERIFY ALL JOB DIMENSIONS, DRAWINGS, DETAILS AND SPECIFICATIONS; AND REPORT ANY DISCREPANCIES TO DESIGNER BEFORE PROCEEDING WITH WORK.

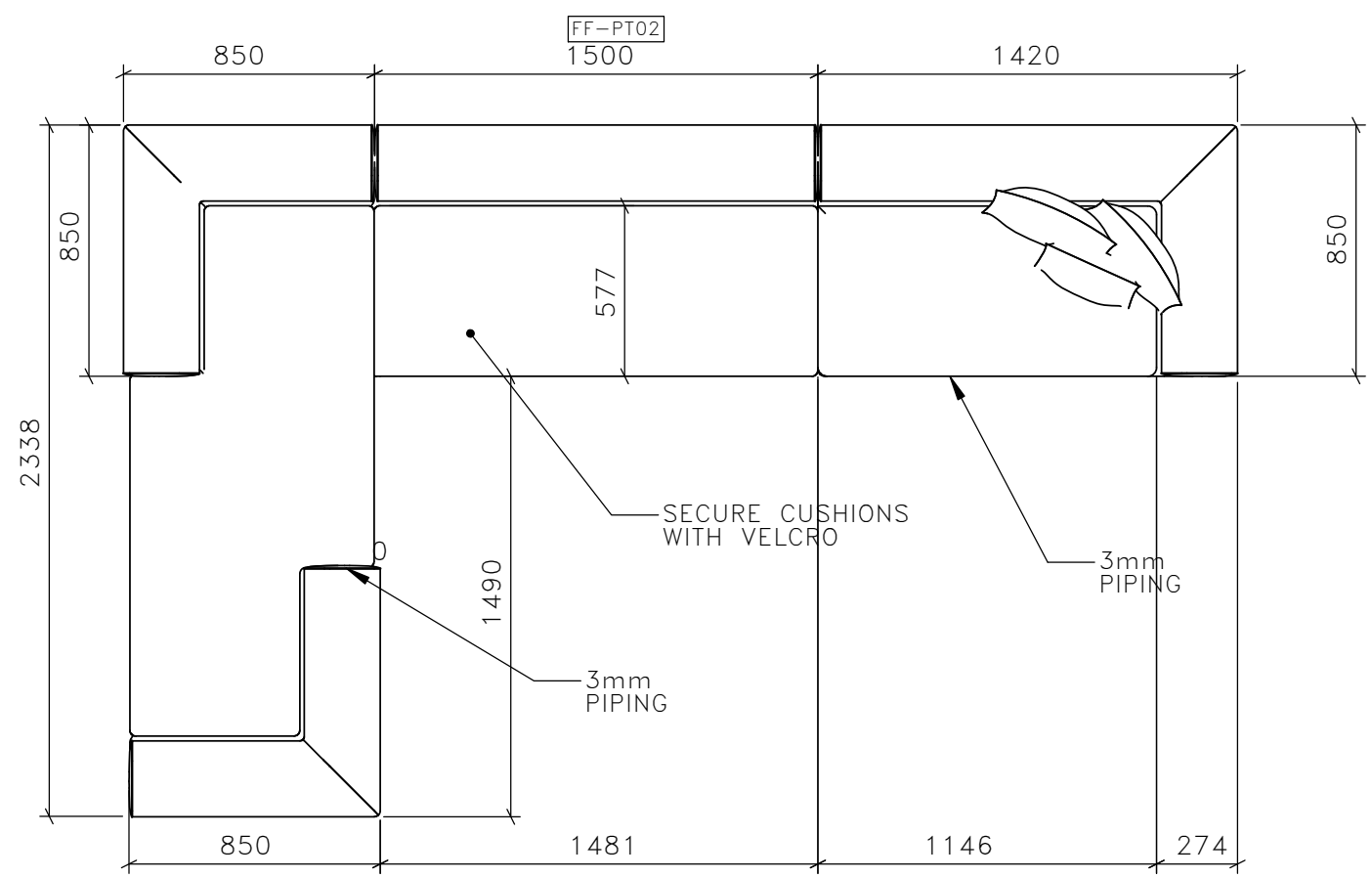
-REV-	-ISSUED FOR	-DATE



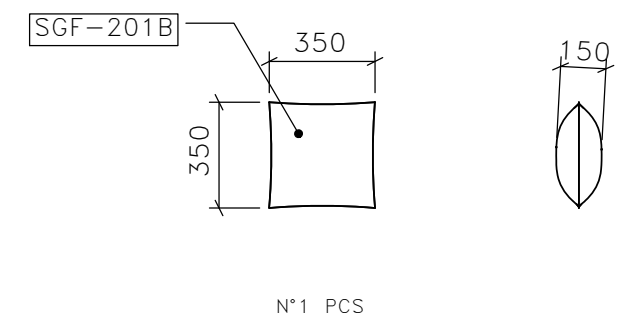
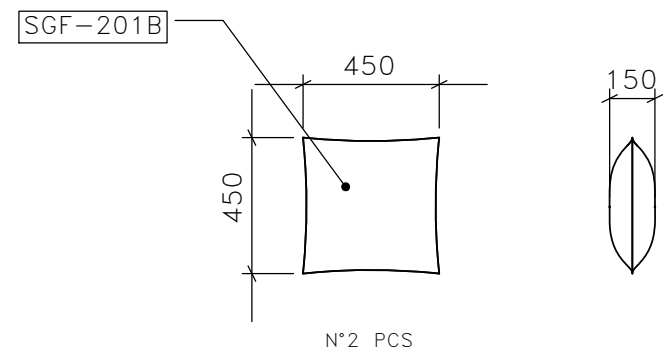
**1** | SG-209 | **LARGE L SOFA FRONT ELEVATION**  
1:20



**2** | SG-209 | **LARGE L SOFA SIDE ELEVATION**  
1:20



**3** | SG-209 | **LARGE L SOFA SIDE ELEVATION**  
1:20



**STUDIO MUNGE**  
25 WINGOLD AVENUE  
TORONTO, ONTARIO  
M6B 1P8 CANADA  
416.588.1668  
STUDIOMUNGE.COM

<b>-SCALE</b> AS NOTED	<b>-DATE</b> 1/17/17
<b>-DRAWN BY</b> EP	<b>-CHECKED BY</b>
<b>-PROJECT NAME</b>  BISHA HOTEL	
<b>-DRAWING TITLE</b>  SG-209 L SHAPE LARGE SECTIONAL SOFA	
<b>-PROJECT NUMBER</b> 28104	
<b>-DRAWING NUMBER</b> 1 / 2	

Y  
E  
M  
D  
C  
B  
A  
Y

X 1 2 3 4 5 6

DRAWING ARE NOT TO BE SCALED. CONTRACTOR MUST CHECK AND VERIFY ALL JOB DIMENSIONS, DRAWINGS, DETAILS AND SPECIFICATIONS; AND REPORT ANY DISCREPANCIES TO DESIGNER BEFORE PROCEEDING WITH WORK.

-REV/	-ISSUED FOR	-DATE



**STUDIO MUNGE**  
25 WINGOLD AVENUE  
TORONTO, ONTARIO  
M6B 1P8 CANADA  
416.588.1668  
STUDIOMUNGE.COM

**-SCALE**  
AS NOTED

**-DATE**  
1/17/17

**-DRAWN BY**  
EP

**-CHECKED BY**

**-PROJECT NAME**  
  
BISHA HOTEL

**-DRAWING TITLE**  
  
SG-209  
L SHAPE LARGE SECTIONAL SOFA

**-PROJECT NUMBER**  
28104

**-DRAWING NUMBER**  
2 / 2

X 1 2 3 4 5 6