

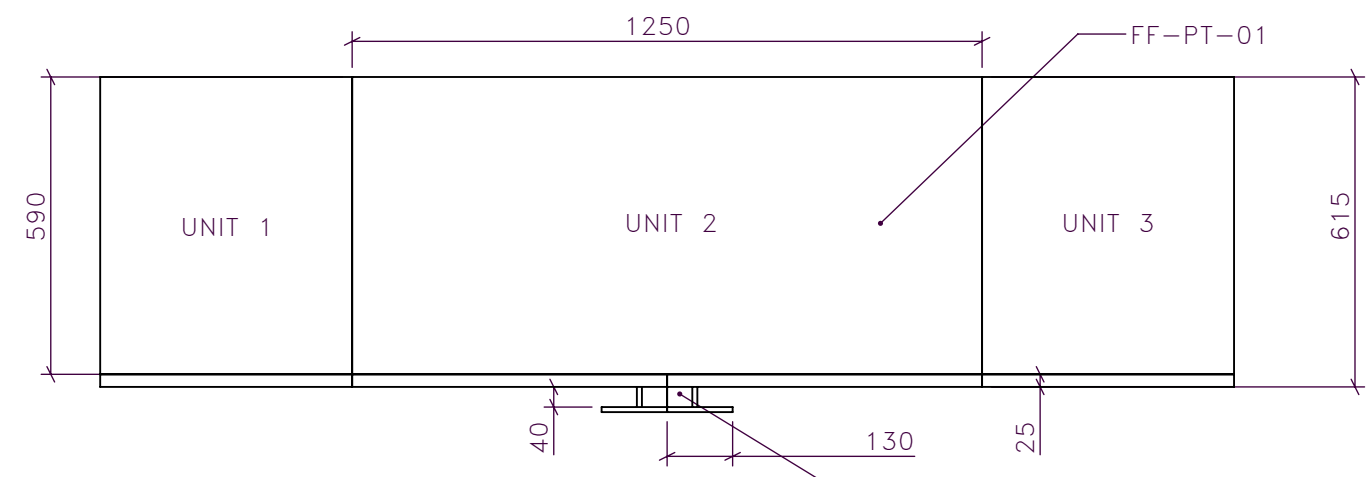
STUDIO MUNGE

DRAWING ARE NOT TO BE SCALED. CONTRACTOR MUST CHECK AND VERIFY ALL JOB DIMENSIONS, DRAWINGS, DETAILS AND SPECIFICATIONS; AND REPORT ANY DISCREPANCIES TO DESIGNER BEFORE PROCEEDING WITH WORK.

-REV/	-ISSUED FOR	-DATE

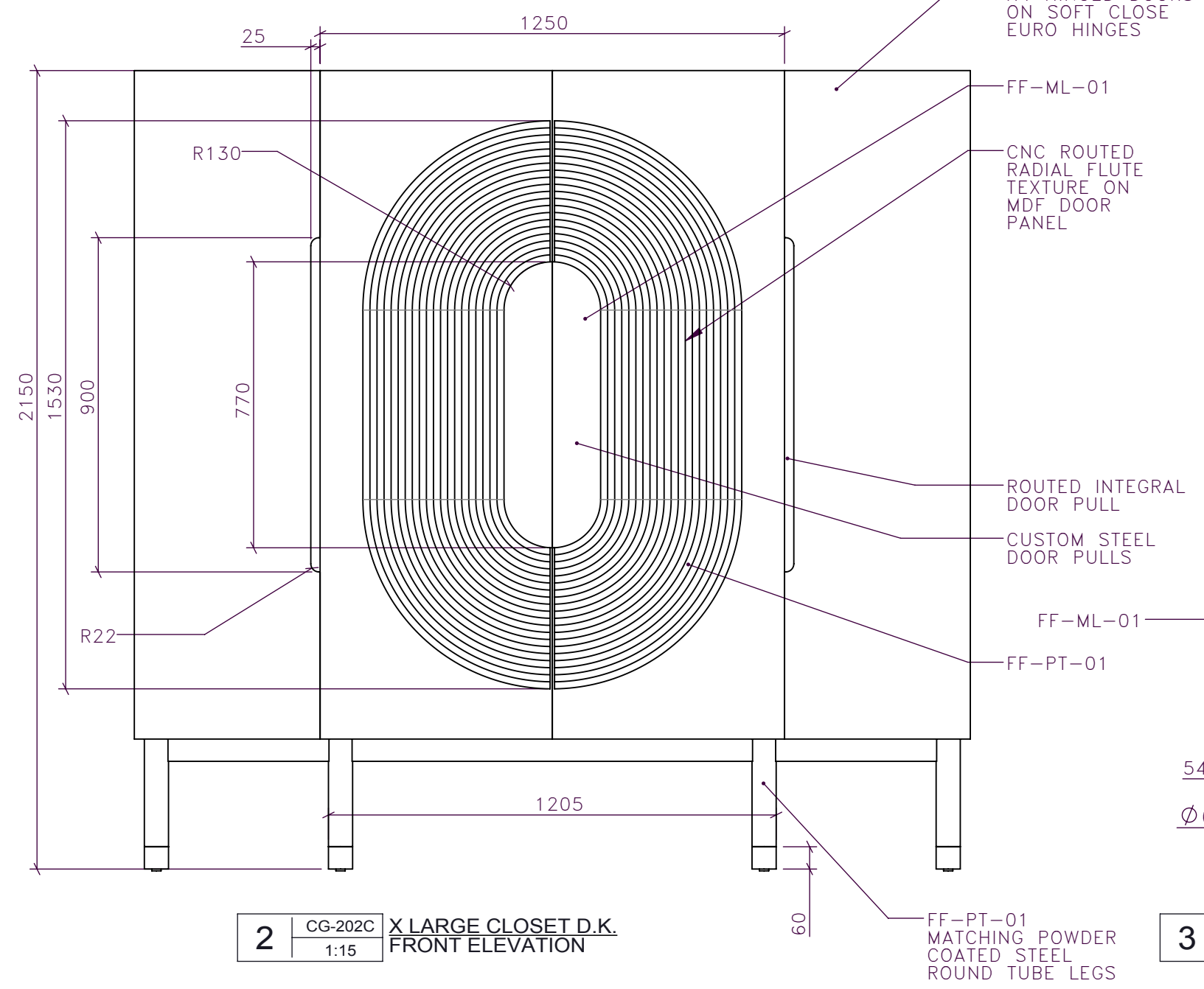
**STUDIO MUNGE**  
 25 WINGOLD AVENUE  
 TORONTO, ONTARIO  
 M6B 1P8 CANADA  
 416.588.1668  
 STUDIOMUNGE.COM

-SCALE AS NOTED	-DATE 1/6/17
-DRAWN BY AM	-CHECKED BY
-PROJECT NAME  BISHA HOTEL	
-DRAWING TITLE  CG-202C X LARGE CLOSET D.K.	
-PROJECT NUMBER 28104	
-DRAWING NUMBER 1 / 5	

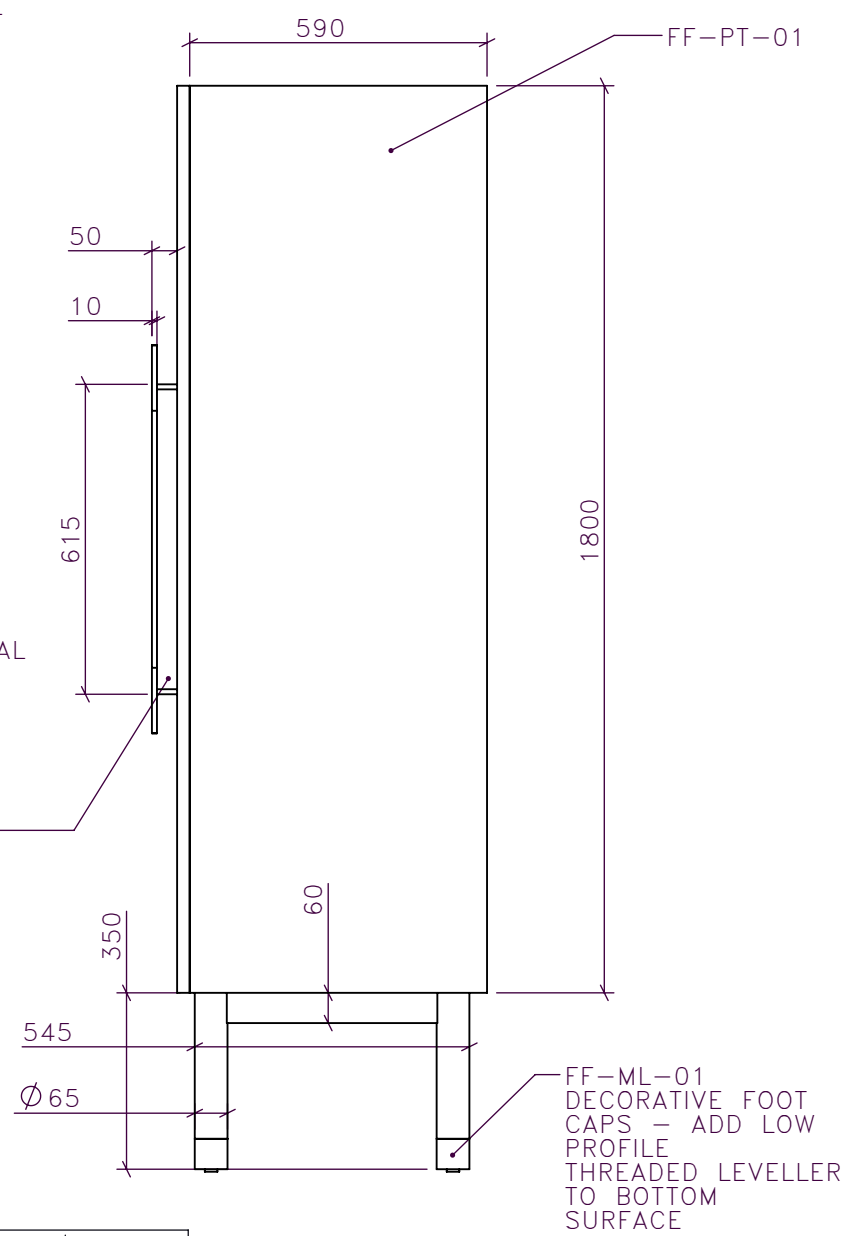


NOTE: UNIT BREAKS DOWN INTO THREE SEPARATE CABINETS TO BE FASTENED TOGETHER ON SITE

**1** CG-202C X LARGE CLOSET D.K. PLAN  
1:15



**2** CG-202C X LARGE CLOSET D.K. FRONT ELEVATION  
1:15



**3** CG-202C X LARGE CLOSET D.K. SIDE ELEVATION  
1:15

STUDIO MUNGE

DRAWING ARE NOT TO BE SCALED. CONTRACTOR MUST CHECK AND VERIFY ALL JOB DIMENSIONS, DRAWINGS, DETAILS AND SPECIFICATIONS; AND REPORT ANY DISCREPANCIES TO DESIGNER BEFORE PROCEEDING WITH WORK.

-REV/	-ISSUED FOR	-DATE

ALL INTERIOR SURFACES (INCLUDING DRAWER BOX INTERIOR AND EXTERIOR SURFACES) TO BE FINISHED IN FF-PT-03

33 DIAMETER STEEL TUBE CLOSET ROD FF-ML-01

FF-PT-03

X1 FLAP DOOR WITH HYDRAULIC PISTON STAYS DRAWER SAFE LOCATED BEHIND DOOR

33 DIAMETER STEEL TUBE CLOSET ROD FF-ML-01

6MM TEMPERED MIRROR FLUSH INSTALLED IN 6MM RECESS IN DOOR PANEL ADD 2MM CHAMFER TO FRONT EDGES OF MIRROR

6MM TEMPERED MIRROR FLUSH INSTALLED IN 6MM RECESS IN DOOR PANEL ADD 2MM CHAMFER TO FRONT EDGES OF MIRROR

FF-PT-03

FF-PT-03

SMALLER SIDE SECTIONS FASTEN TOGETHER ON SITE

X3 DRAWERS SOFT CLOSE UNDERMOUNT SLIDES

588

25

588

325

230

1817

1425

545 TYP

1250

4

CG-202C  
1:15

X LARGE CLOSET D.K.  
FRONT ELEVATION (SIDE DOORS OPEN)  
MIDDLE DOORS REMOVED FOR CLARITY

FOR INTERIOR DIMENSIONS OF CENTER UNIT SEE CG-202D

**STUDIO MUNGE**  
25 WINGOLD AVENUE  
TORONTO, ONTARIO  
M6B 1P8 CANADA  
416.588.1668  
STUDIOMUNGE.COM

-SCALE AS NOTED  
-DATE 1/6/17

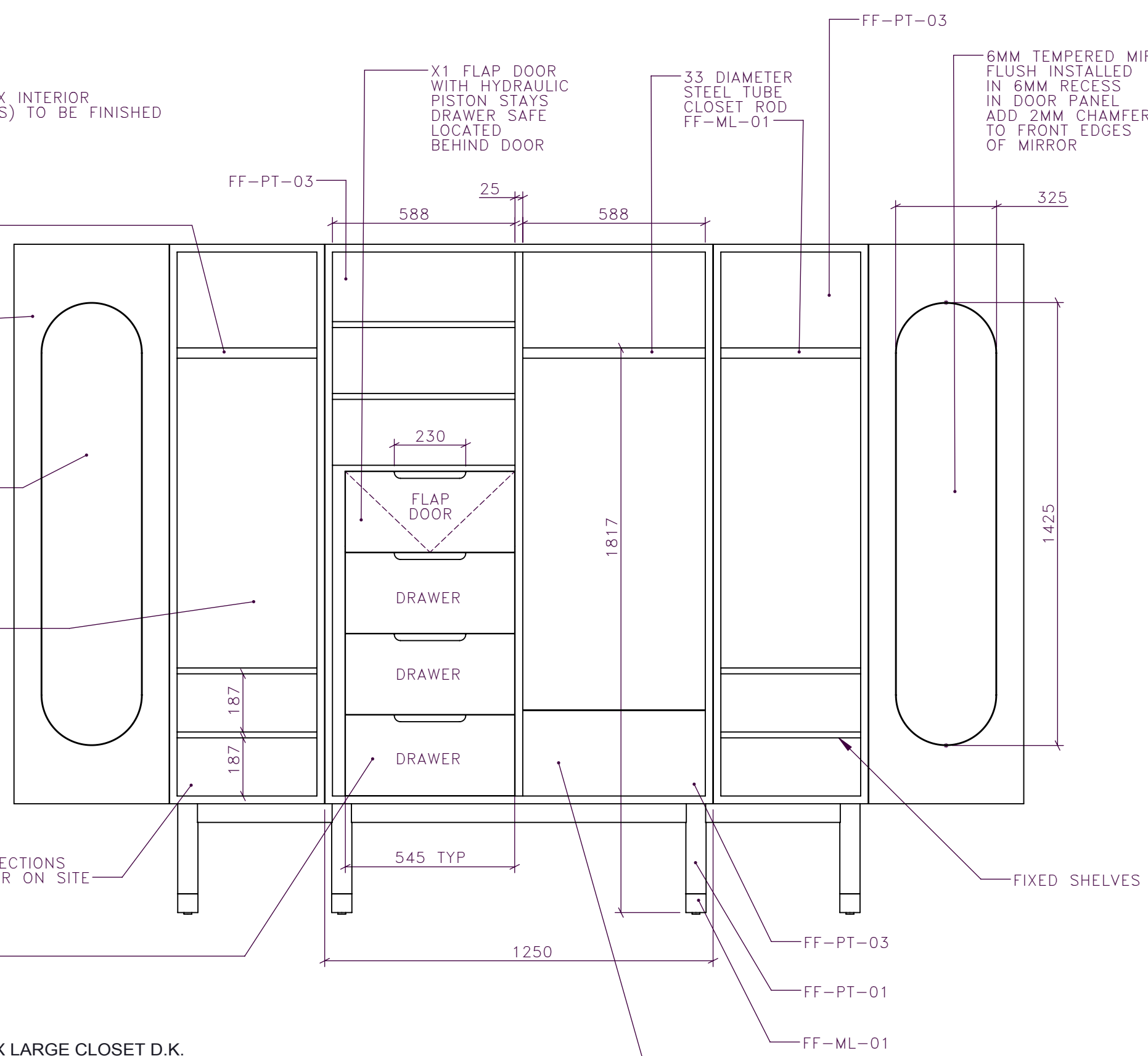
-DRAWN BY AM  
-CHECKED BY

-PROJECT NAME  
BISHA HOTEL

-DRAWING TITLE  
CG-202C  
X LARGE CLOSET D.K.

-PROJECT NUMBER  
28104

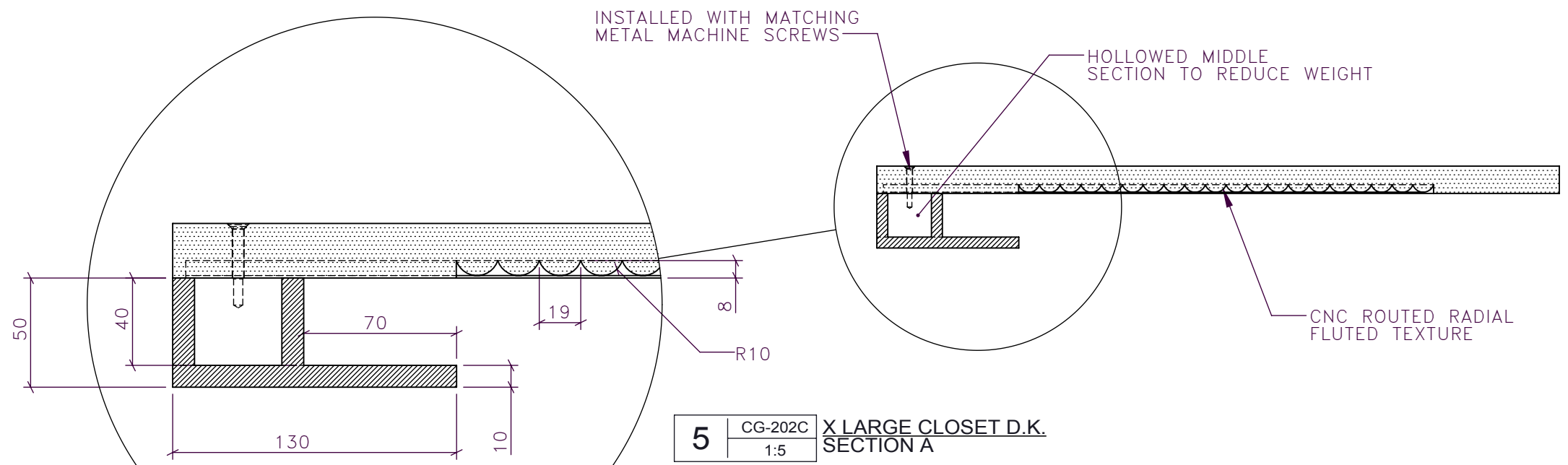
-DRAWING NUMBER  
2 / 5



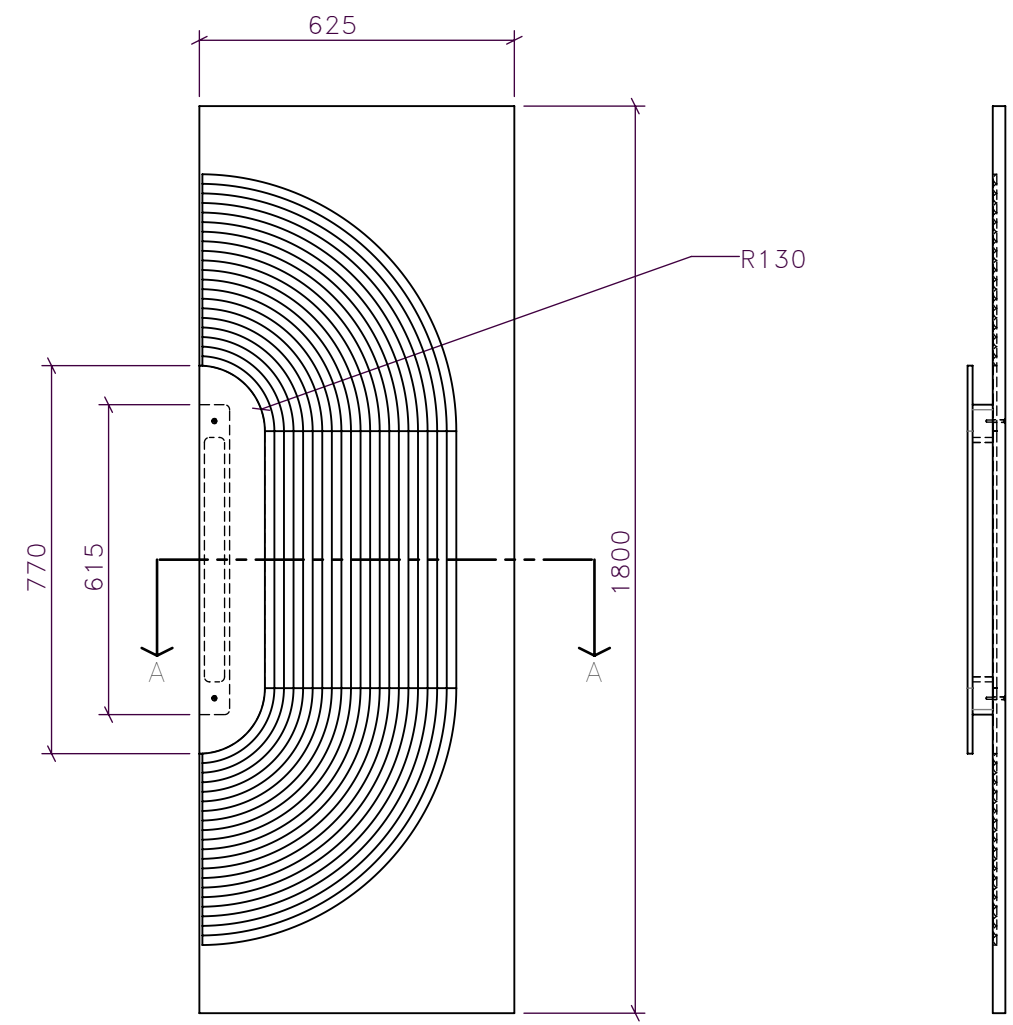
STUDIO MUNGE

DRAWING ARE NOT TO BE SCALED. CONTRACTOR MUST CHECK AND VERIFY ALL JOB DIMENSIONS, DRAWINGS, DETAILS AND SPECIFICATIONS, AND REPORT ANY DISCREPANCIES TO DESIGNER BEFORE PROCEEDING WITH WORK.

-REV/	-ISSUED FOR	-DATE



**5** CG-202C X LARGE CLOSET D.K.  
1:5 SECTION A



**6** CG-202C X LARGE CLOSET D.K.  
1:15 FRONT ELEVATION (DOOR ONLY)

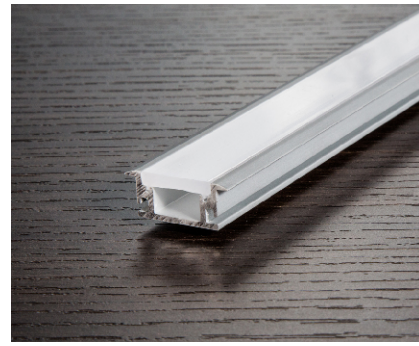
**7** CG-202C X LARGE CLOSET D.K.  
1:15 SIDE ELEVATION (DOOR ONLY)

**STUDIO MUNGE**  
 25 WINGOLD AVENUE  
 TORONTO, ONTARIO  
 M6B 1P8 CANADA  
 416.588.1668  
 STUDIOMUNGE.COM

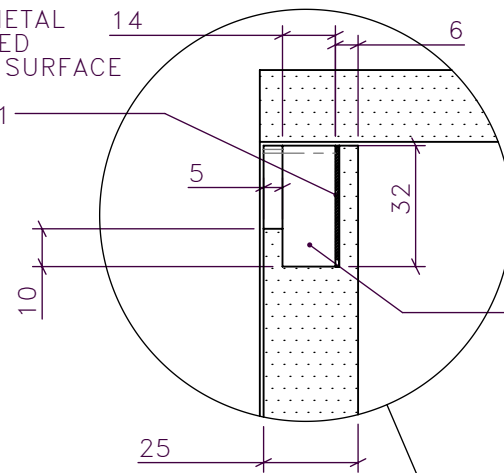
<b>-SCALE</b> AS NOTED	<b>-DATE</b> 1/6/17
<b>-DRAWN BY</b> AM	<b>-CHECKED BY</b> 
<b>-PROJECT NAME</b>  BISHA HOTEL	
<b>-DRAWING TITLE</b>  CG-202C X LARGE CLOSET D.K.	
<b>-PROJECT NUMBER</b> 28104	
<b>-DRAWING NUMBER</b> 3 / 5	

STUDIO MUNGE

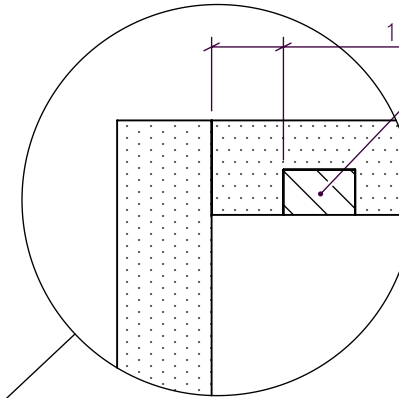
REFERENCE IMAGE A



PLATED METAL TRIM GLUED TO REAR SURFACE OF PULL FF-ML-01



ROUTED INTEGRAL DRAWER PULL



LED STRIP LIGHT IN ALUMINUM C CHANNEL WITH FROSTED DIFFUSER AS PER REFERENCE IMAGE A - FLUSH INSTALLATION ROUT WIRING TO TOP OF CABINET TO CONCEAL INCORPORATE PHOTOSENSOR TO ACTIVATE LED ON DOOR OPENING

LED RUNS ACROSS FULL WIDTH OF CABINET

SUPPLY X2 ANTI-TIP METAL BRACKETS TO BE INSTALLED AT THIS LOCATION

FIXED SHELVES

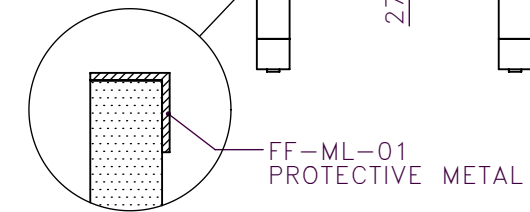
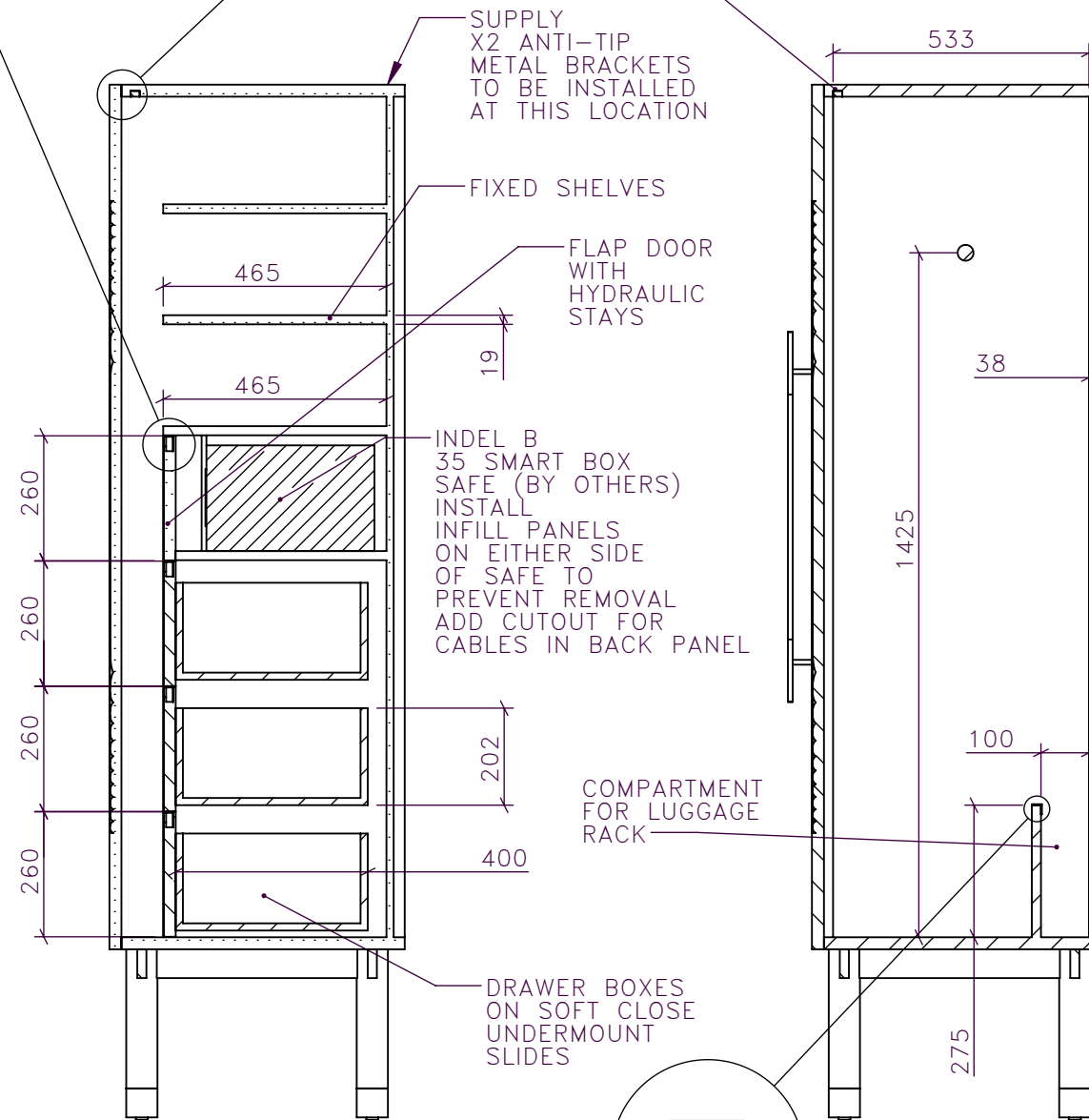
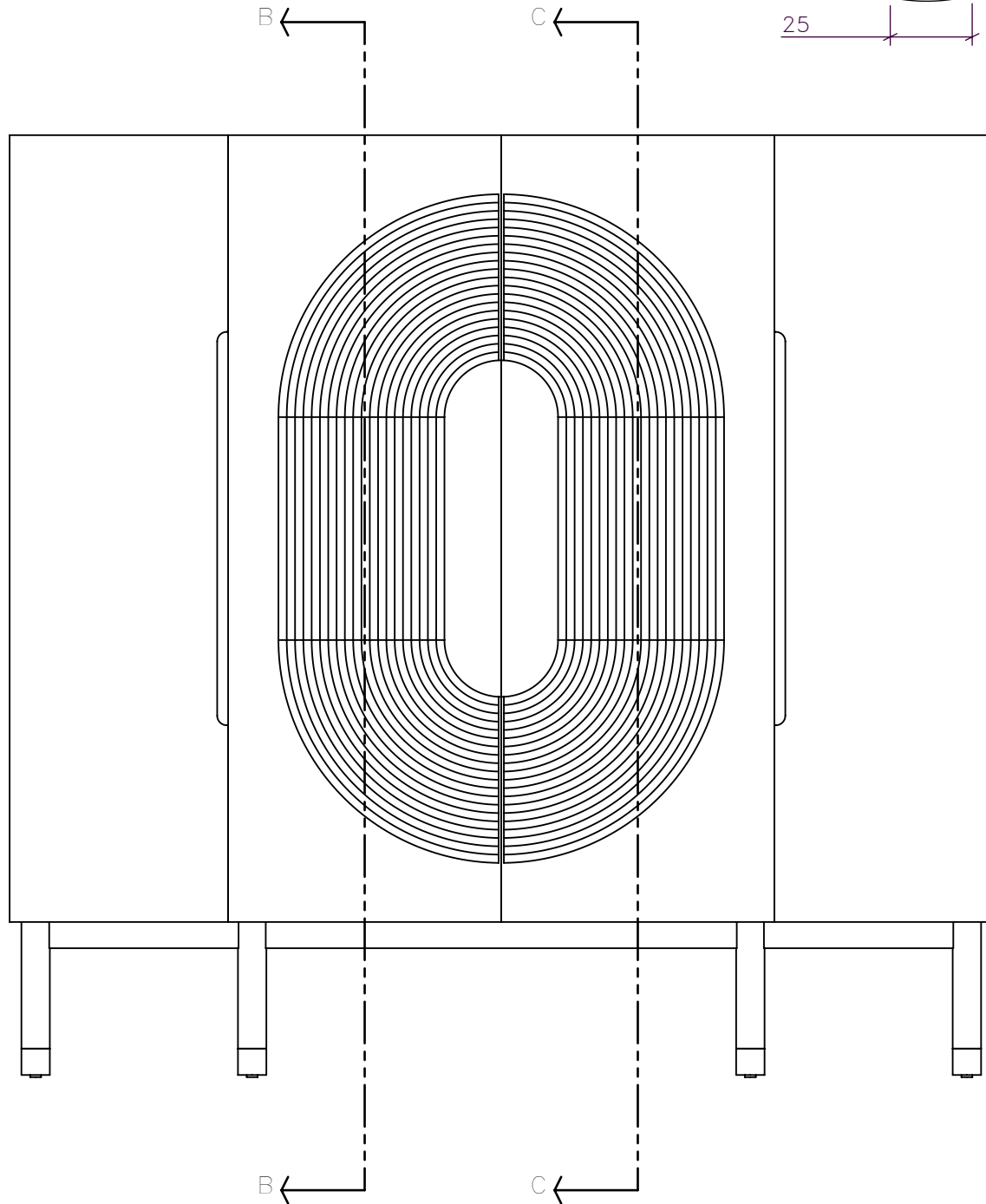
FLAP DOOR WITH HYDRAULIC STAYS

INDEL B 35 SMART BOX SAFE (BY OTHERS) INSTALL INFILL PANELS ON EITHER SIDE OF SAFE TO PREVENT REMOVAL ADD CUTOUT FOR CABLES IN BACK PANEL

COMPARTMENT FOR LUGGAGE RACK

DRAWER BOXES ON SOFT CLOSE UNDERMOUNT SLIDES

FF-ML-01 PROTECTIVE METAL TRIM



DRAWING ARE NOT TO BE SCALED. CONTRACTOR MUST CHECK AND VERIFY ALL JOB DIMENSIONS, DRAWINGS, DETAILS AND SPECIFICATIONS, AND REPORT ANY DISCREPANCIES TO DESIGNER BEFORE PROCEEDING WITH WORK.

REV	ISSUED FOR	DATE

**STUDIO MUNGE**  
 25 WINGOLD AVENUE  
 TORONTO, ONTARIO  
 M6B 1P8 CANADA  
 416.588.1668  
 STUDIOMUNGE.COM

<b>-SCALE</b> AS NOTED	<b>-DATE</b> 1/6/17
<b>-DRAWN BY</b> AM	<b>-CHECKED BY</b>
<b>-PROJECT NAME</b>  BISHA HOTEL	
<b>-DRAWING TITLE</b>  CG-202C X LARGE CLOSET D.K.	
<b>-PROJECT NUMBER</b> 28104	
<b>-DRAWING NUMBER</b> 4 / 5	

**8** CG-202C 1:15 X LARGE CLOSET D.K. FRONT ELEVATION

**9** CG-202C 1:15 X LARGE CLOSET D.K. SECTION B

**10** CG-202C 1:15 X LARGE CLOSET D.K. SECTION C

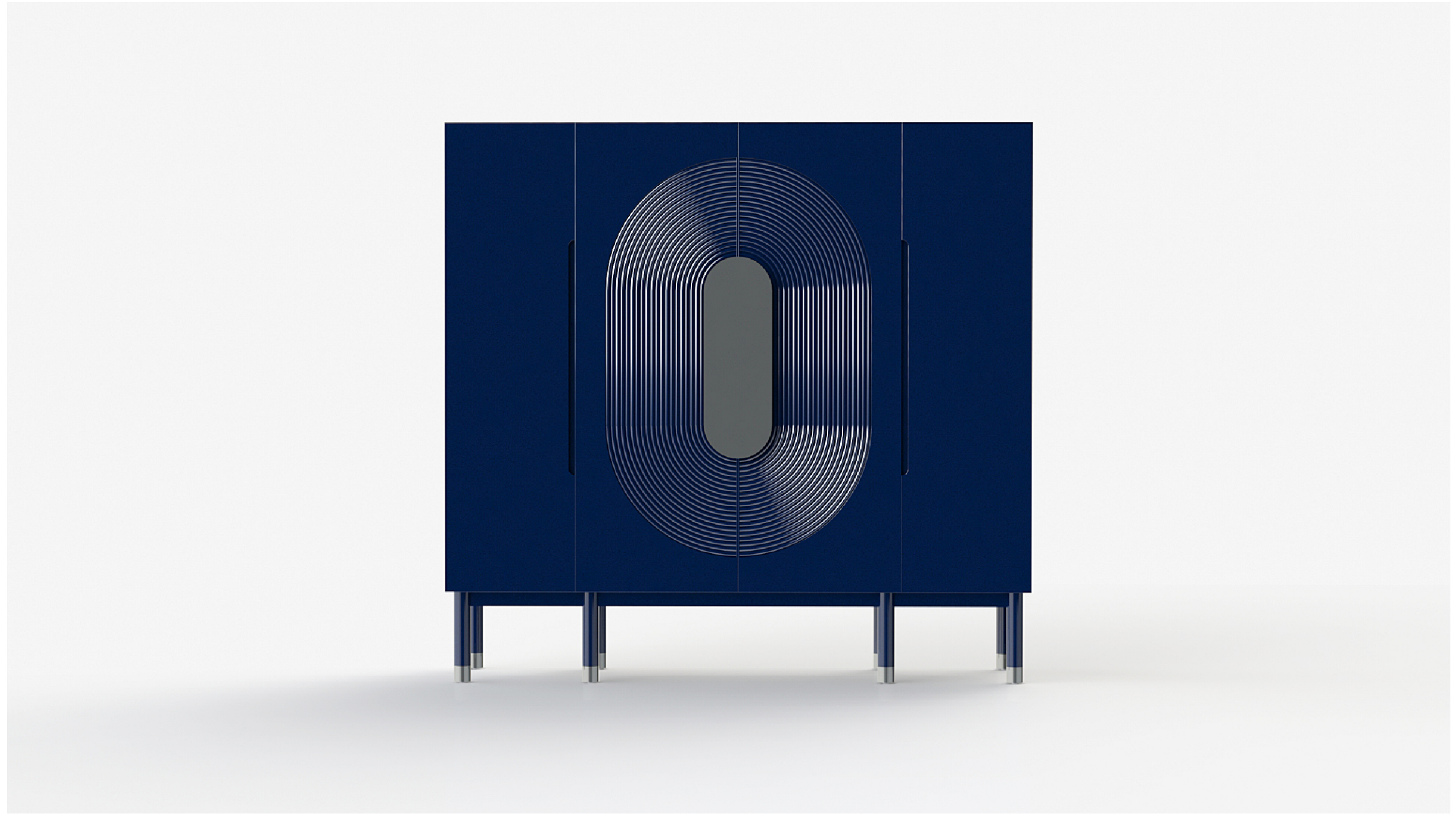


STUDIO MUNGE  
Y  
E  
M  
D  
C  
B  
A  
Y

1 2 3 4 5 6

DRAWING ARE NOT TO BE SCALED. CONTRACTOR MUST CHECK AND VERIFY ALL JOB DIMENSIONS, DRAWINGS, DETAILS AND SPECIFICATIONS; AND REPORT ANY DISCREPANCIES TO DESIGNER BEFORE PROCEEDING WITH WORK.

-REV/	-ISSUED FOR	-DATE



**STUDIO MUNGE**  
25 WINGOLD AVENUE  
TORONTO, ONTARIO  
M6B 1P8 CANADA  
416.588.1668  
STUDIOMUNGE.COM

**-SCALE**  
AS NOTED

**-DATE**  
1/6/17

**-DRAWN BY**  
AM

**-CHECKED BY**

**-PROJECT NAME**  
  
BISHA HOTEL

**-DRAWING TITLE**  
  
CG-202C  
X LARGE CLOSET D.K.

**-PROJECT NUMBER**  
28104

**-DRAWING NUMBER**  
5 / 5

11 | CG-202C | X LARGE CLOSET D.K.  
NTS | RENDERED VIEW

1 2 3 4 5 6