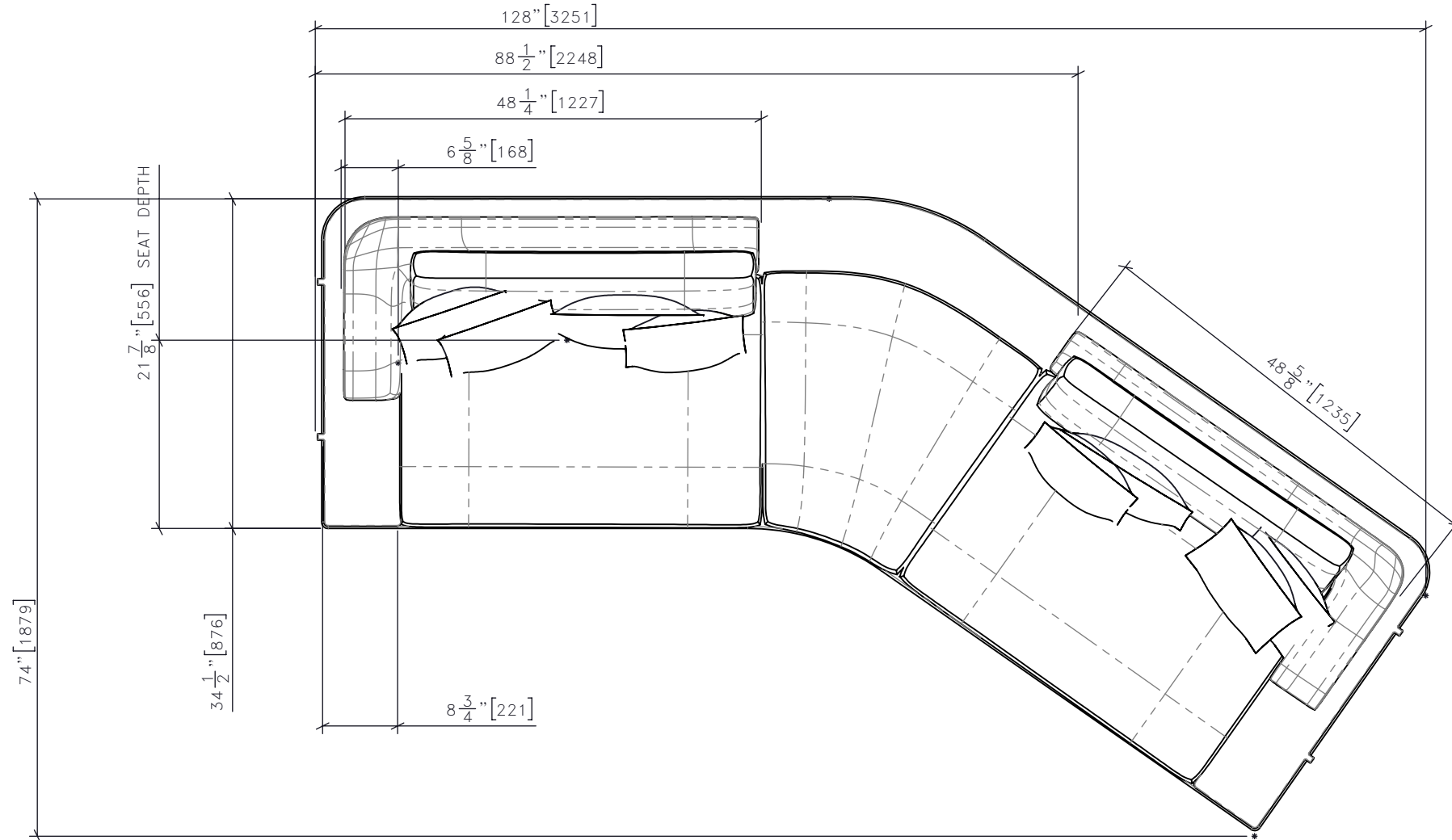


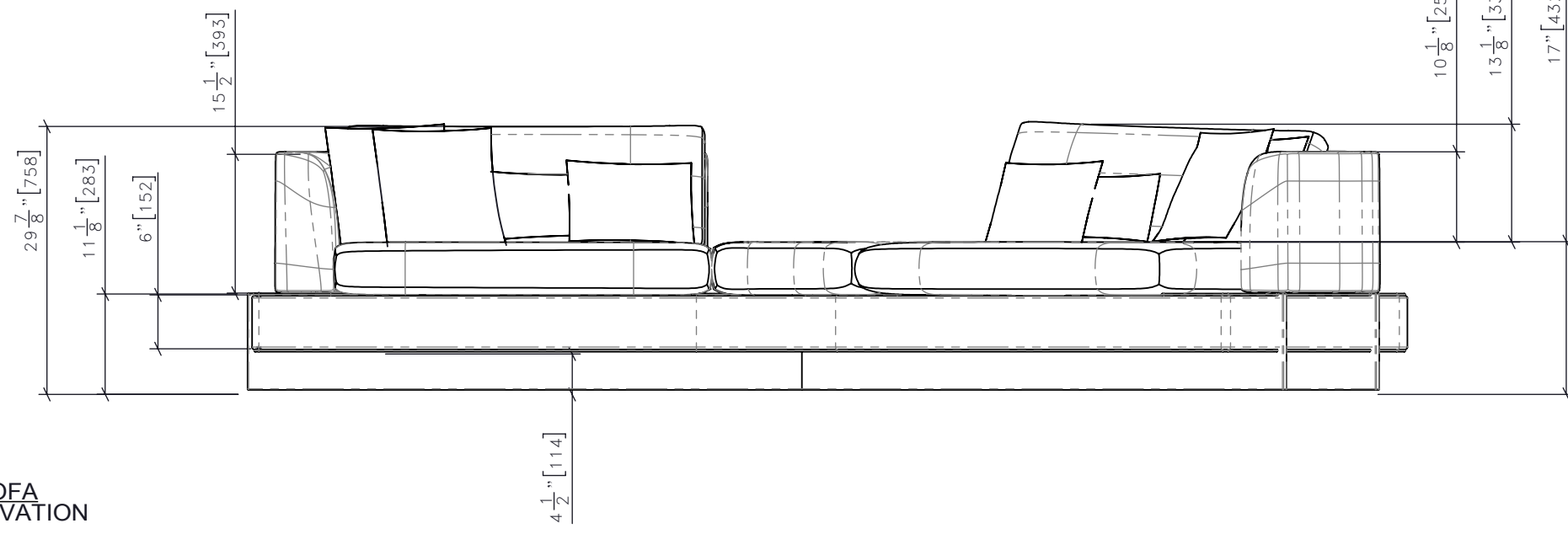
FOR DESIGN INTENT ONLY

DRAWING ARE NOT TO BE SCALED. CONTRACTOR MUST CHECK AND VERIFY ALL JOB DIMENSIONS, DRAWINGS, DETAILS AND SPECIFICATIONS, AND REPORT ANY DISCREPANCIES TO DESIGNER BEFORE PROCEEDING WITH WORK.

REV.	ISSUED FOR	DATE



1 | SG-1103 | LOUNGE SOFA
1:18 | PLAN ELEVATION



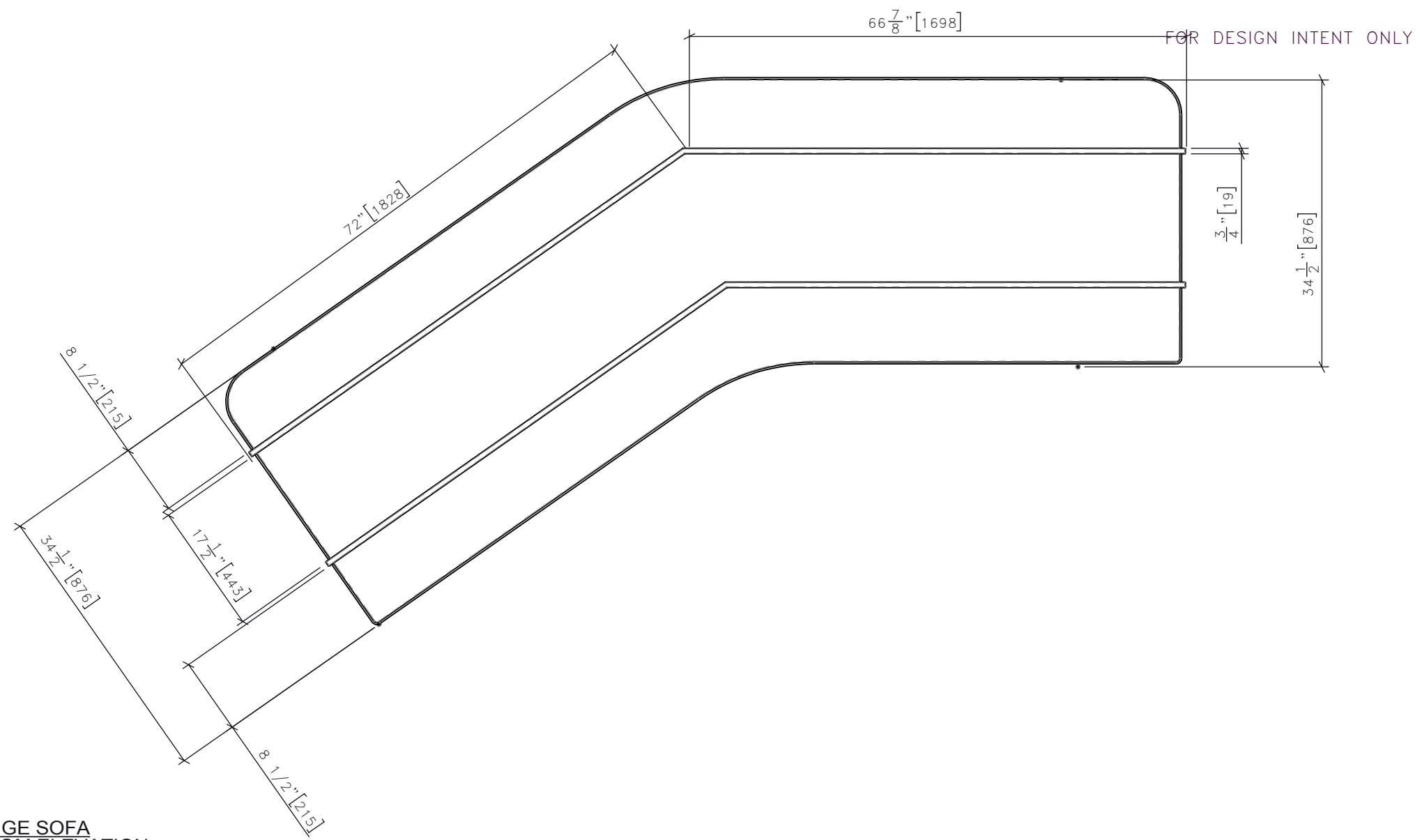
2 | SG-1103 | LOUNGE SOFA
1:18 | FRONT ELEVATION

STUDIO MUNGE
25 WINGOLD AVENUE
TORONTO, ONTARIO
M6B 1P8 CANADA
416.588.1668
STUDIOMUNGE.COM

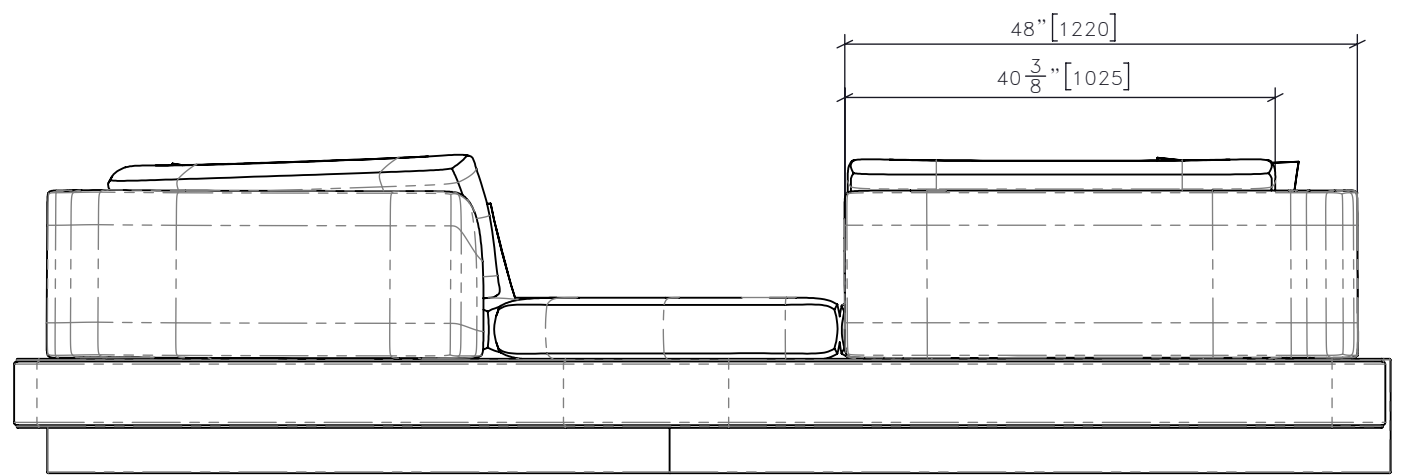
PROJECT LOGO	
SCALE AS NOTED	DATE 4/27/18
DRAWN BY RC	CHECKED BY
PROJECT NAME PARK HYATT TORONTO	
DRAWING TITLE SG-1103 LOUNGE SOFA	
PROJECT NUMBER 16101	
DRAWING NUMBER 1 / 5	

DRAWING ARE NOT TO BE SCALED. CONTRACTOR MUST CHECK AND VERIFY ALL JOB DIMENSIONS, DRAWINGS, DETAILS AND SPECIFICATIONS, AND REPORT ANY DISCREPANCIES TO DESIGNER BEFORE PROCEEDING WITH WORK.

REV	ISSUED FOR	DATE



3 | SG-1103 | LOUNGE SOFA
1:18 | BOTTOM ELEVATION



4 | SG-1103 | LOUNGE SOFA
1:18 | REAR ELEVATION

STUDIO MUNGE
 25 WINGOLD AVENUE
 TORONTO, ONTARIO
 M6B 1P8 CANADA
 416.588.1668
 STUDIOMUNGE.COM

PROJECT LOGO

SCALE AS NOTED **DATE** 4/27/18

DRAWN BY RC **CHECKED BY**

PROJECT NAME

PARK HYATT TORONTO

DRAWING TITLE

SG-1103
LOUNGE SOFA

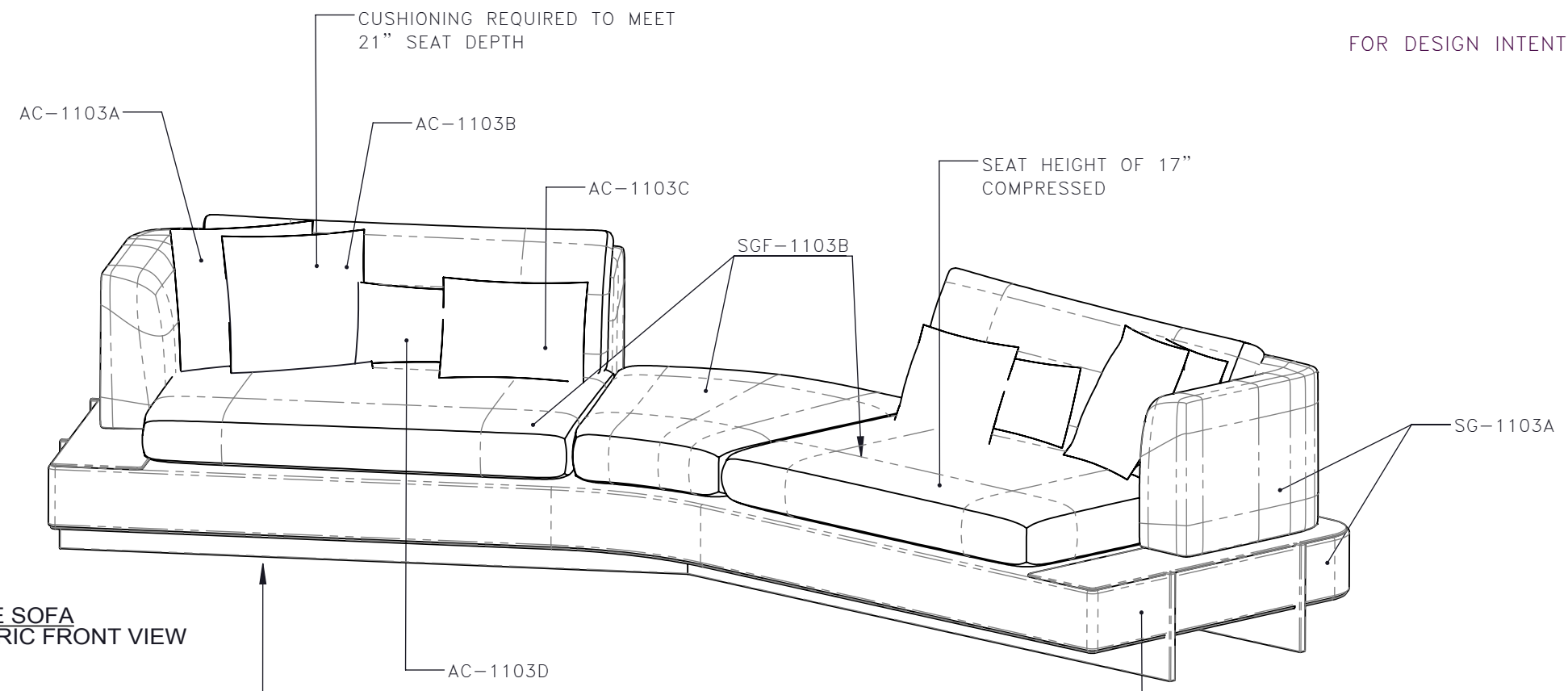
PROJECT NUMBER
16101

DRAWING NUMBER
2 / 5

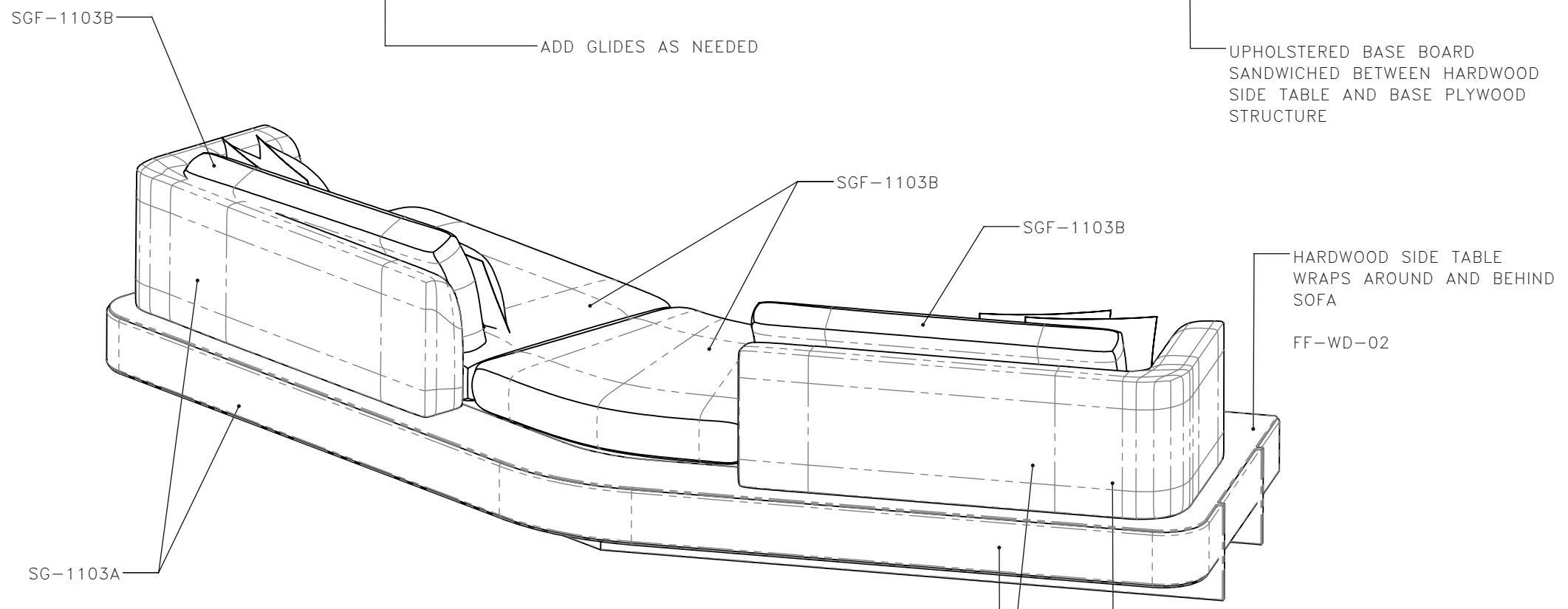
FOR DESIGN INTENT ONLY

DRAWING ARE NOT TO BE SCALED. CONTRACTOR MUST CHECK AND VERIFY ALL JOB DIMENSIONS, DRAWINGS, DETAILS AND SPECIFICATIONS; AND REPORT ANY DISCREPANCIES TO DESIGNER BEFORE PROCEEDING WITH WORK.

REV	ISSUED FOR	DATE



4 SG-1103 LOUNGE SOFA
1:15 ISOMETRIC FRONT VIEW



5 SG-1103 LOUNGE SOFA
1:15 ISOMETRIC REAR VIEW

STUDIO MUNGE
25 WINGOLD AVENUE
TORONTO, ONTARIO
M6B 1P8 CANADA
416.588.1668
STUDIOMUNGE.COM

PROJECT LOGO

SCALE AS NOTED
DATE 4/27/18

DRAWN BY RC
CHECKED BY

PROJECT NAME
PARK HYATT TORONTO

DRAWING TITLE
SG-1103 LOUNGE SOFA

PROJECT NUMBER
16101

DRAWING NUMBER
3 / 5

STUDIO MUNGE

FOR DESIGN INTENT ONLY

DRAWING ARE NOT TO BE SCALED. CONTRACTOR MUST CHECK AND VERIFY ALL JOB DIMENSIONS, DRAWINGS, DETAILS AND SPECIFICATIONS; AND REPORT ANY DISCREPANCIES TO DESIGNER BEFORE PROCEEDING WITH WORK.

REV	ISSUED FOR	DATE



STUDIO MUNGE
 25 WINGOLD AVENUE
 TORONTO, ONTARIO
 M6B 1P8 CANADA
 416.588.1668
 STUDIOMUNGE.COM

-PROJECT LOGO

-SCALE AS NOTED
-DATE 4/27/18

-DRAWN BY RC
-CHECKED BY

-PROJECT NAME

PARK HYATT TORONTO

-DRAWING TITLE

SG-1103
 LOUNGE SOFA

-PROJECT NUMBER

16101

-DRAWING NUMBER

4 / 5

5 | SG-1103 | LOUNGE SOFA
 NTS | RENDERED VIEW

STUDIO MUNGE

FOR DESIGN INTENT ONLY

DRAWING ARE NOT TO BE SCALED. CONTRACTOR MUST CHECK AND VERIFY ALL JOB DIMENSIONS, DRAWINGS, DETAILS AND SPECIFICATIONS; AND REPORT ANY DISCREPANCIES TO DESIGNER BEFORE PROCEEDING WITH WORK.

REV.	ISSUED FOR	DATE



STUDIO MUNGE
 25 WINGOLD AVENUE
 TORONTO, ONTARIO
 M6B 1P8 CANADA
 416.588.1668
 STUDIOMUNGE.COM

PROJECT LOGO

SCALE AS NOTED **DATE** 4/27/18

DRAWN BY RC **CHECKED BY**

PROJECT NAME

PARK HYATT TORONTO

DRAWING TITLE

SG-1103
LOUNGE SOFA

PROJECT NUMBER
16101

DRAWING NUMBER
5 / 5

7 | SG-1103 | LOUNGE SOFA
 NTS | DETAILED RENDERED VIEW