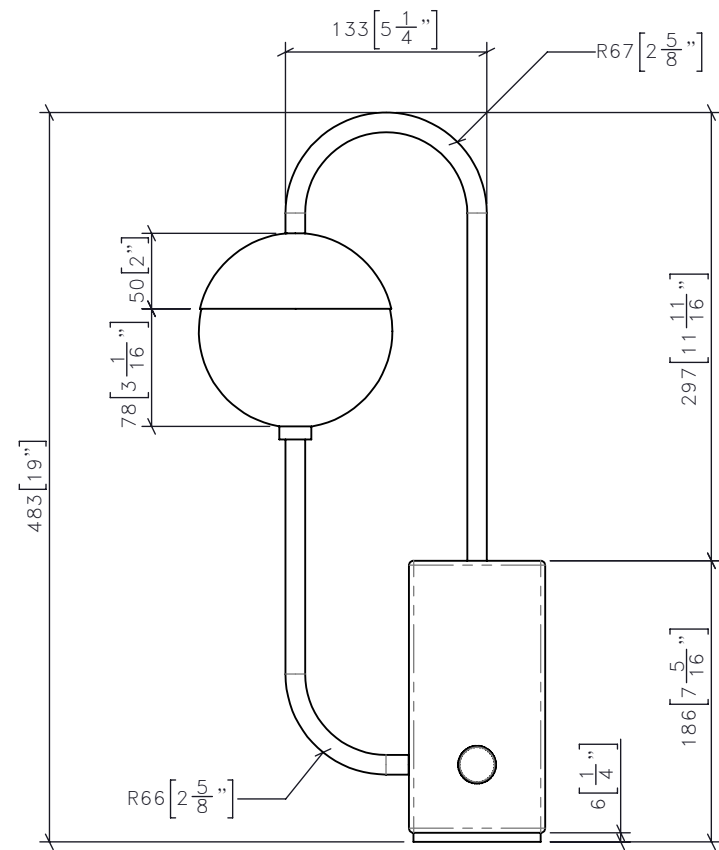
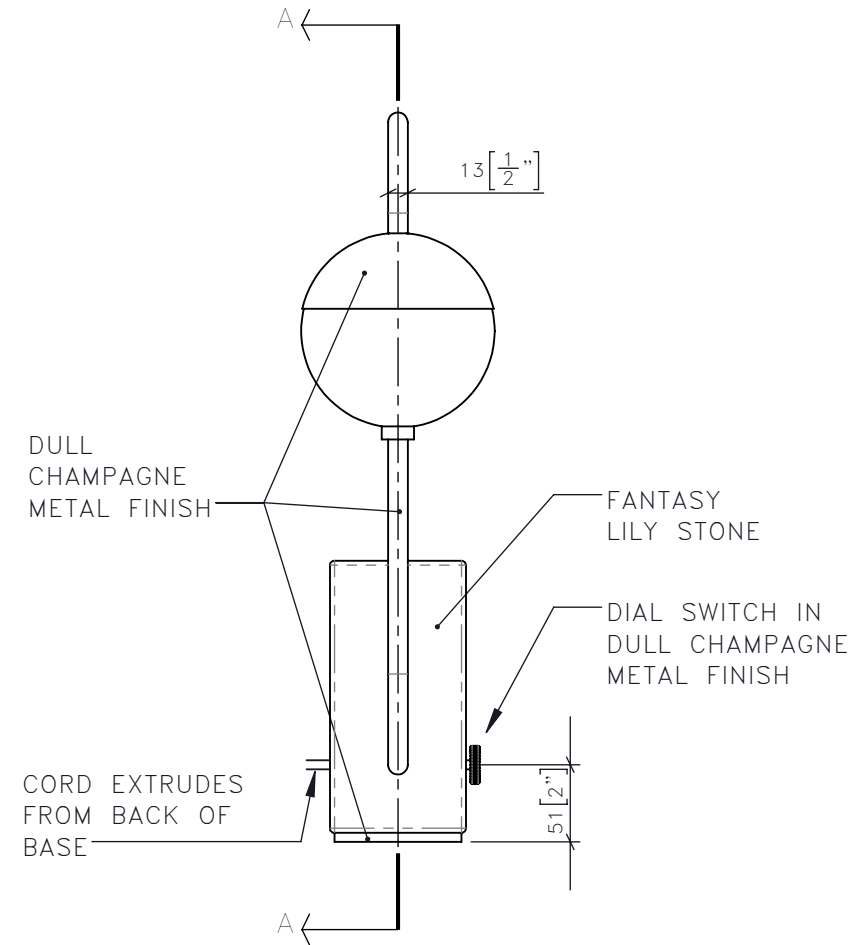


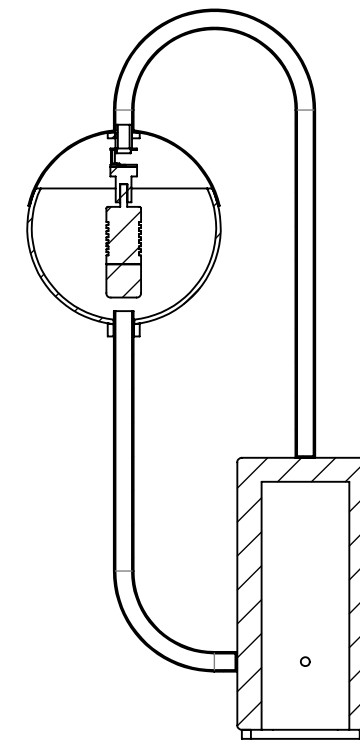
1 CG-XX
1:5 **BEDSIDE TABLE LAMP
PLAN ELEVATION**



2 CG-XX
1:5 **BEDSIDE TABLE LAMP
FRONT ELEVATION**



3 CG-XX
1:5 **BEDSIDE TABLE LAMP
SIDE ELEVATION**



4 CG-XX
1:5 **BEDSIDE TABLE LAMP
SECTION A**

REV	ISSUED FOR	DATE

**STUDIO
MUNGE** 25 WINGOLD AVENUE
TORONTO, ONTARIO
M6B 1P8 CANADA
416.588.1668
STUDIOMUNGE.COM

SCALE AS NOTED **DATE** 2/24/17

DRAWN BY EH **CHECKED BY**

PROJECT NAME

4050 YONGE ST
MUR

DRAWING TITLE

CG-XX

PROJECT NUMBER 15129

DRAWING NUMBER 1 / 2

STUDIO MUNGE
Y
X
A
B
C
D
E
F
G
H
I
J
K
L
M
N
O
P
Q
R
S
T
U
V
W
X
Y

FOR DESIGN INTENT ONLY

DRAWING ARE NOT TO BE SCALED. CONTRACTOR MUST CHECK AND VERIFY ALL JOB DIMENSIONS, DRAWINGS, DETAILS AND SPECIFICATIONS; AND REPORT ANY DISCREPANCIES TO DESIGNER BEFORE PROCEEDING WITH WORK.

REV	ISSUED FOR	DATE



STUDIO MUNGE
25 WINGOLD AVENUE
TORONTO, ONTARIO
M6B 1P8 CANADA
416.588.1668
STUDIOMUNGE.COM

-SCALE AS NOTED	-DATE 2/24/17
-DRAWN BY EH	-CHECKED BY
-PROJECT NAME 4050 YONGE ST MUR	
-DRAWING TITLE CG-XX	
-PROJECT NUMBER 15129	
-DRAWING NUMBER 2 / 2	

5	CG-XX	BEDSIDE TABLE LAMP PERSPECTIVE
	NTS	