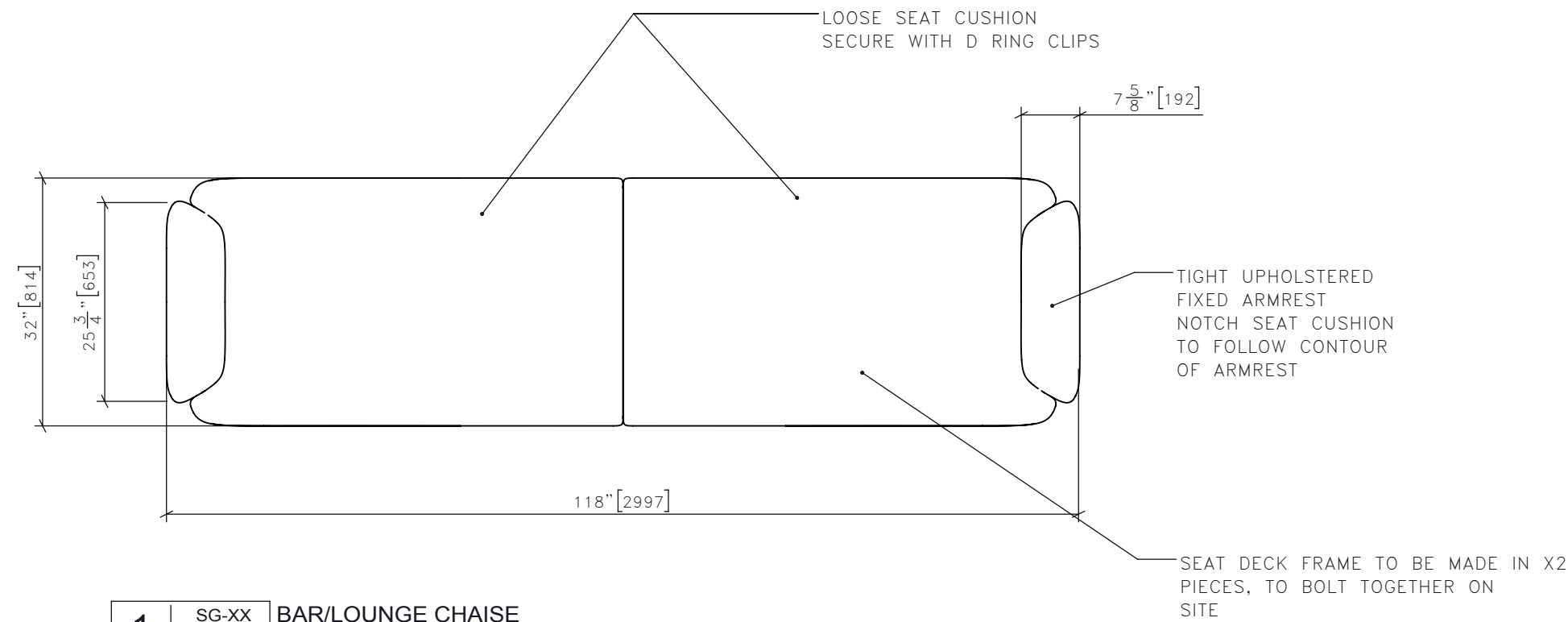


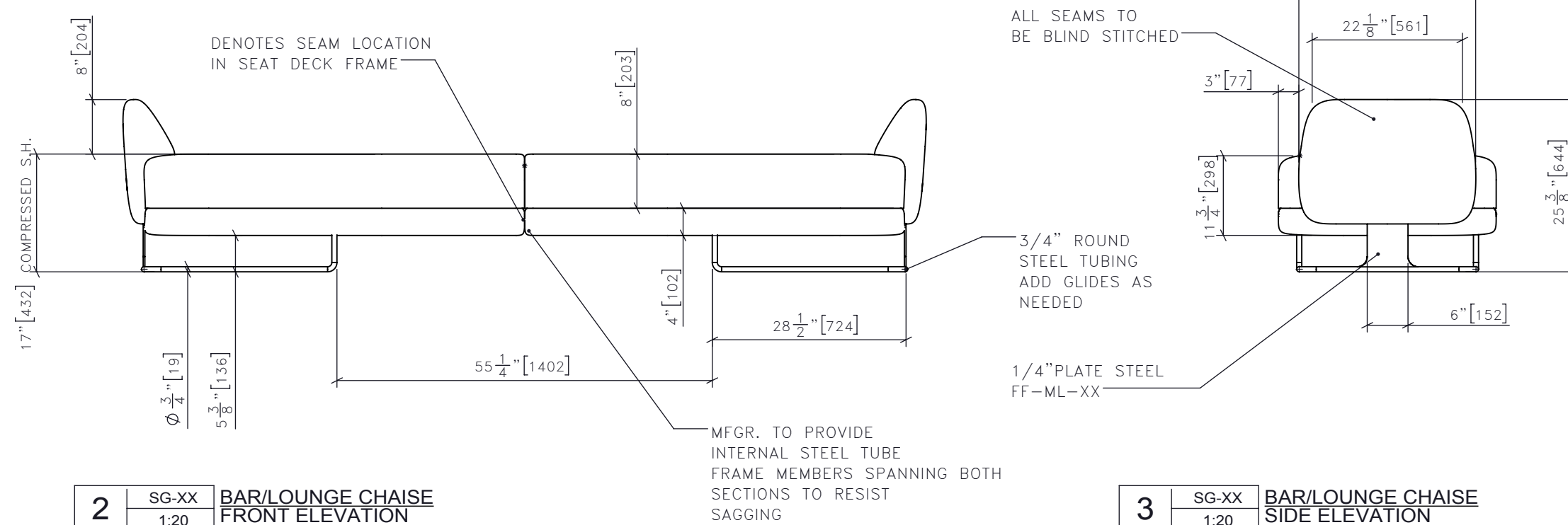
FOR DESIGN INTENT ONLY

DRAWING ARE NOT TO BE SCALED. CONTRACTOR MUST CHECK AND VERIFY ALL JOB DIMENSIONS, DRAWINGS, DETAILS AND SPECIFICATIONS; AND REPORT ANY DISCREPANCIES TO DESIGNER BEFORE PROCEEDING WITH WORK.

REV	ISSUED FOR	DATE



**1** | SG-XX | **BAR/LOUNGE CHAISE**  
1:20 | **PLAN VIEW**



**2** | SG-XX | **BAR/LOUNGE CHAISE**  
1:20 | **FRONT ELEVATION**

**3** | SG-XX | **BAR/LOUNGE CHAISE**  
1:20 | **SIDE ELEVATION**

**STUDIO  
MUNGE**

25 WINGOLD AVENUE  
TORONTO, ONTARIO  
M6B 1P8 CANADA  
416.588.1668  
STUDIOMUNGE.COM

**-SCALE**  
AS NOTED

**-DATE**  
7/11/17

**-DRAWN BY**  
LS

**-CHECKED BY**

**-PROJECT NAME**

4050 YONGE ST.

**-DRAWING TITLE**

SG-XX  
BAR/LOUNGE CHAISE

**-PROJECT NUMBER**  
16123

**-DRAWING NUMBER**  
1 / 2

STUDIO MUNGE  
E  
D  
C  
B  
A  
Y

1 2 3 4 5 6

FOR DESIGN INTENT ONLY

DRAWING ARE NOT TO BE SCALED. CONTRACTOR MUST CHECK AND VERIFY ALL JOB DIMENSIONS, DRAWINGS, DETAILS AND SPECIFICATIONS; AND REPORT ANY DISCREPANCIES TO DESIGNER BEFORE PROCEEDING WITH WORK.

REV#	ISSUED FOR	DATE



**STUDIO MUNGE**  
 25 WINGOLD AVENUE  
 TORONTO, ONTARIO  
 M6B 1P8 CANADA  
 416.588.1668  
 STUDIOMUNGE.COM

**-SCALE**  
AS NOTED

**-DATE**  
7/11/17

**-DRAWN BY**  
LS

**-CHECKED BY**

**-PROJECT NAME**  
4050 YONGE ST.

**-DRAWING TITLE**  
SG-XX  
BAR/LOUNGE CHAISE

**-PROJECT NUMBER**  
16123

**-DRAWING NUMBER**  
2 / 2

**4** | SG-XX | BAR/LOUNGE CHAISE  
 NTS | RENDERED VIEW

1 2 3 4 5 6