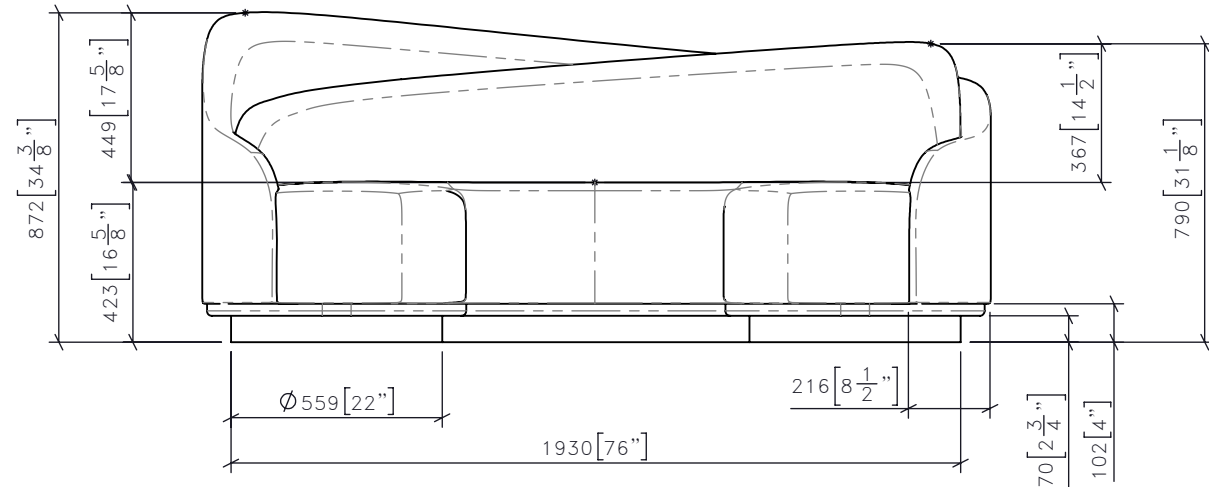


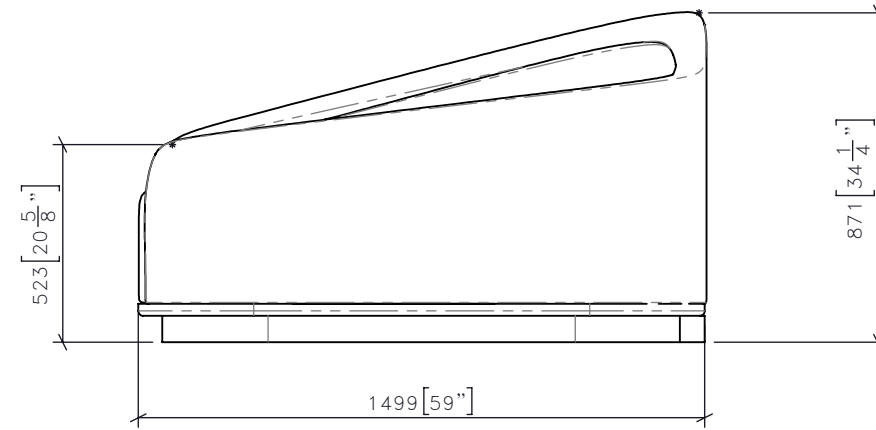
-REV/	-ISSUED FOR	-DATE

STUDIO MUNGE
 25 WINGOLD AVENUE
 TORONTO, ONTARIO
 M6B 1P8 CANADA
 416.588.1668
 STUDIOMUNGE.COM

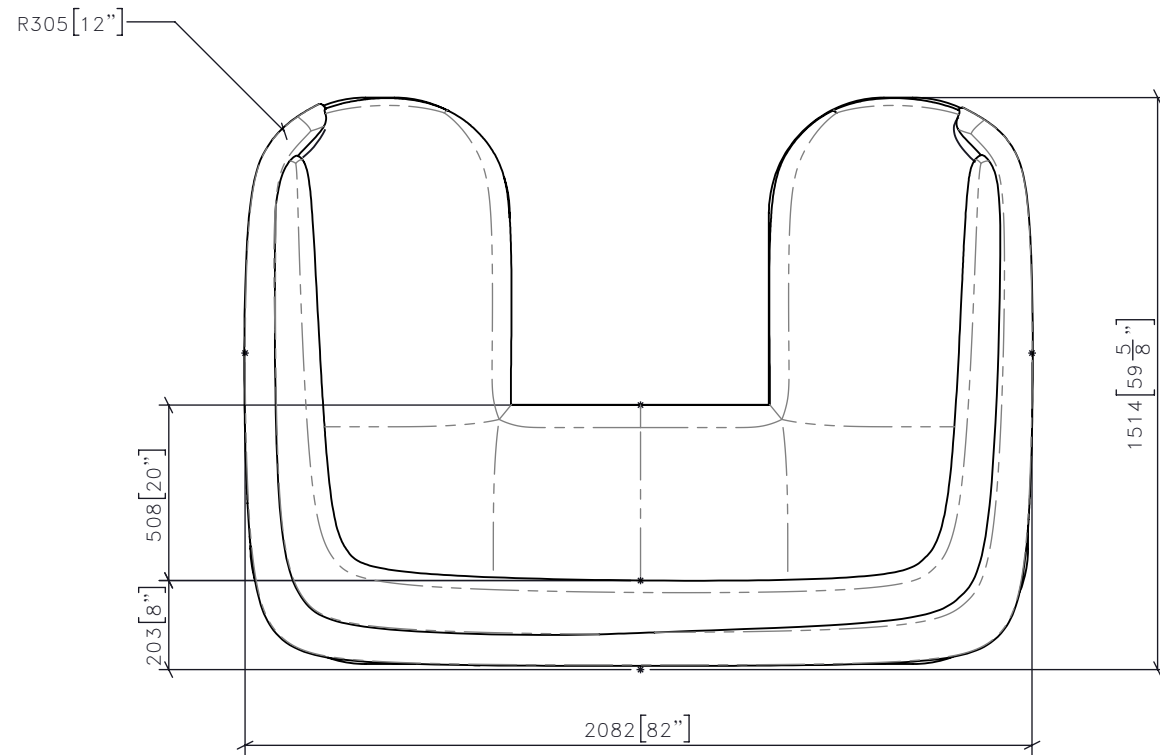
-SCALE AS NOTED	-DATE 6/12/18
-DRAWN BY LS	-CHECKED BY
-PROJECT NAME 2559 YONGE	
-DRAWING TITLE CG-XX FREESTANDING BANQUETTE	
-PROJECT NUMBER 17105	
-DRAWING NUMBER 1 / 5	



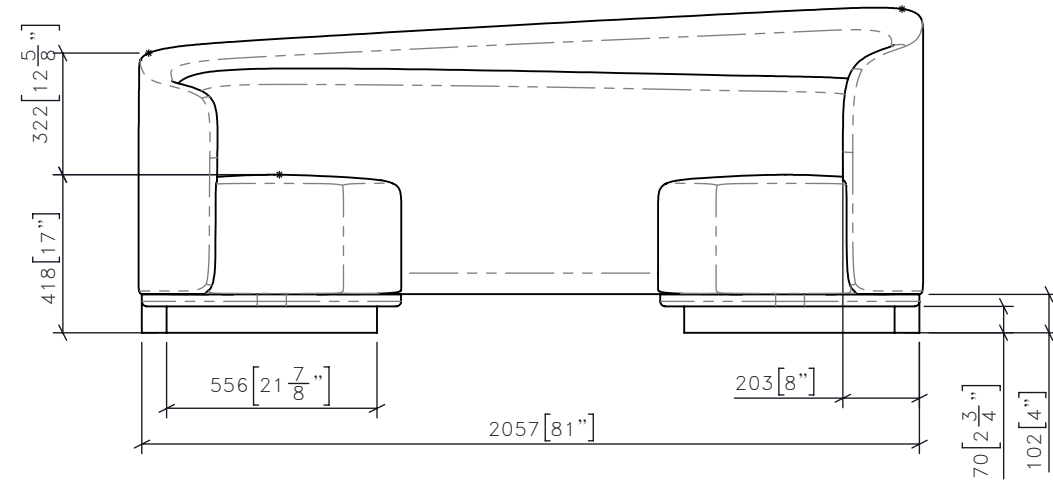
1 CG-XX
1:20 **FREESTANDING BANQUETTE
FRONT ELEVATION**



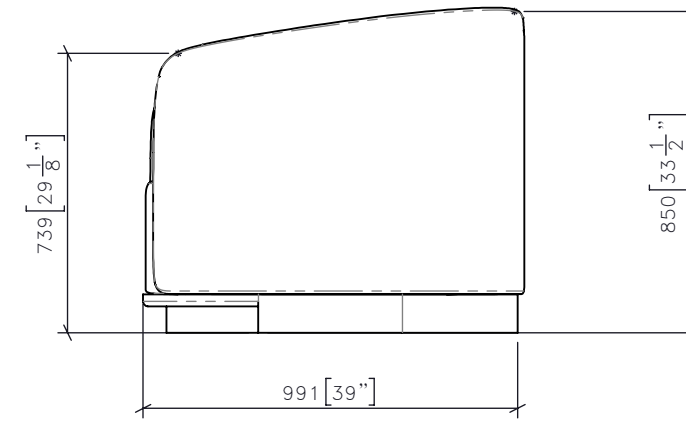
3 CG-XX
1:20 **FREESTANDING BANQUETTE
SIDE ELEVATION**



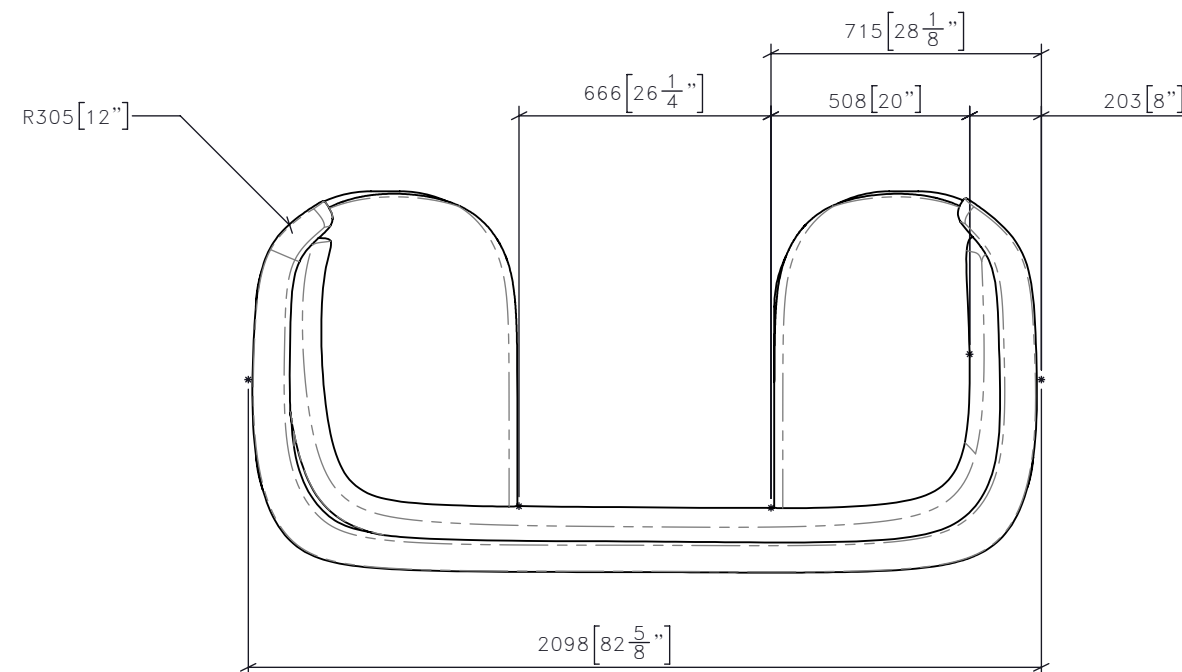
2 CG-XX
1:20 **FREESTANDING BANQUETTE
PLAN**



4 | CG-XX | **FREESTANDING BANQUETTE**
1:20 | Drawing View11



6 | CG-XX | **FREESTANDING BANQUETTE**
1:20 | Drawing View13



5 | CG-XX | **FREESTANDING BANQUETTE**
1:20 | Drawing View12

-REV/	-ISSUED FOR	-DATE

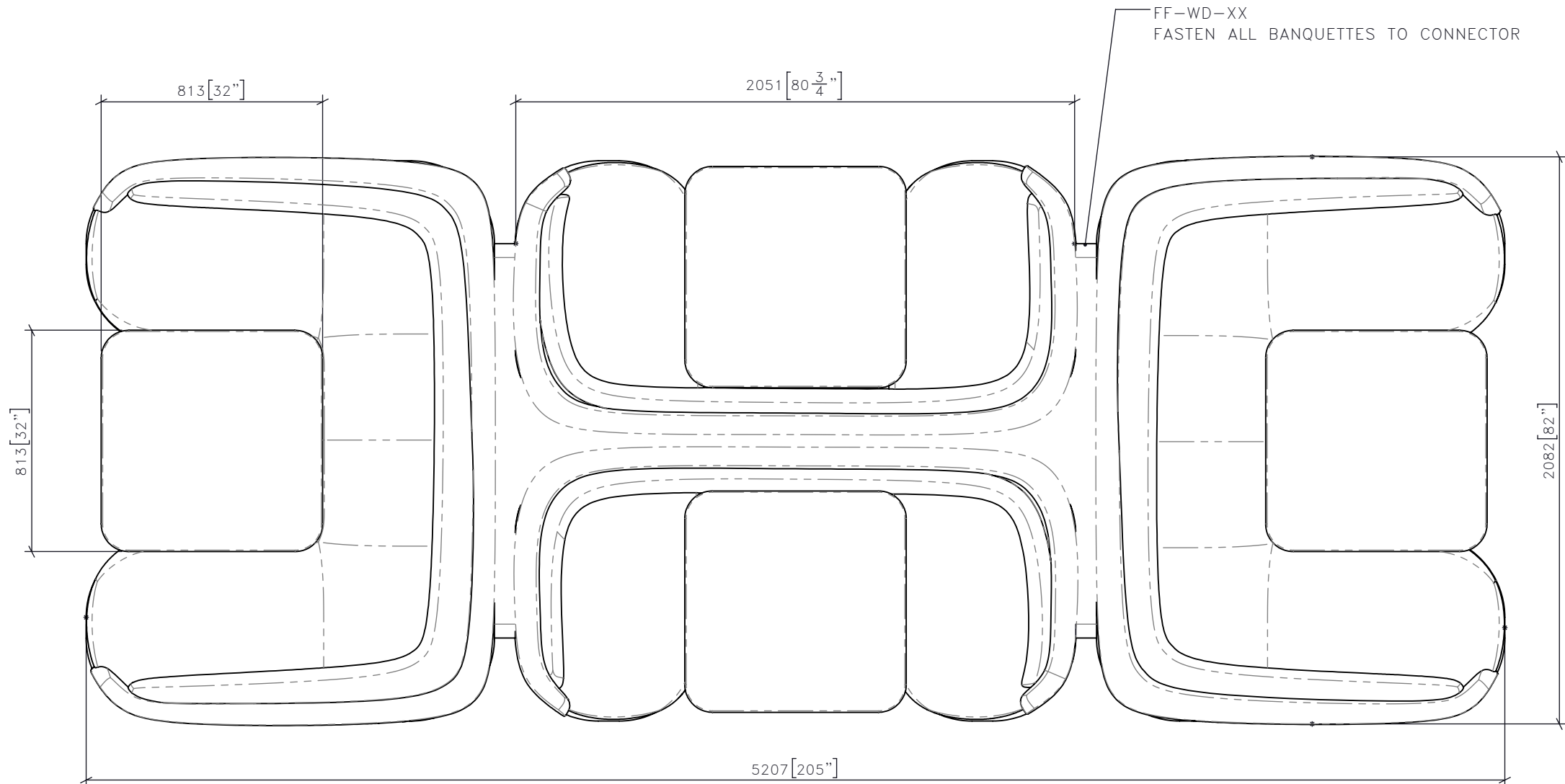
STUDIO MUNGE
25 WINGOLD AVENUE
TORONTO, ONTARIO
M6B 1P8 CANADA
416.588.1668
STUDIOMUNGE.COM

-SCALE AS NOTED	-DATE 6/12/18
-DRAWN BY LS	-CHECKED BY
-PROJECT NAME 2559 YONGE	
-DRAWING TITLE CG-XX FREESTANDING BANQUETTE	
-PROJECT NUMBER 17105	
-DRAWING NUMBER 2 / 5	

REV	ISSUED FOR	DATE

STUDIO MUNGE
 25 WINGOLD AVENUE
 TORONTO, ONTARIO
 M6B 1P8 CANADA
 416.588.1668
 STUDIOMUNGE.COM

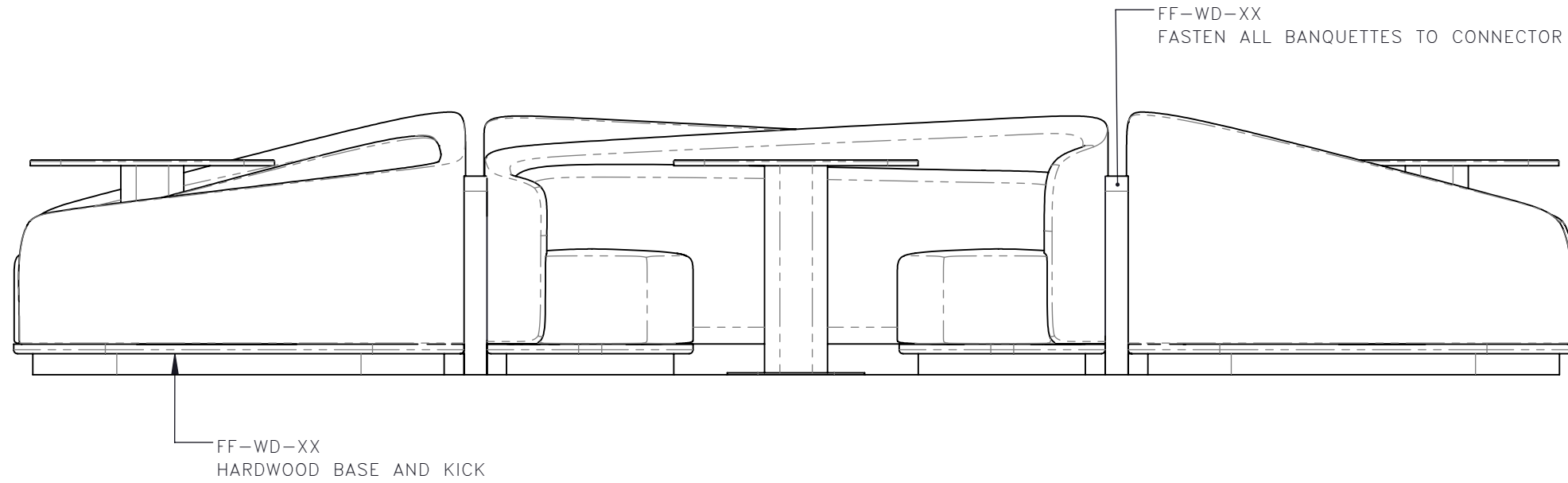
-SCALE AS NOTED	-DATE 6/12/18
-DRAWN BY LS	-CHECKED BY
-PROJECT NAME 2559 YONGE	
-DRAWING TITLE CG-XX FREESTANDING BANQUETTE	
-PROJECT NUMBER 17105	
-DRAWING NUMBER 3 / 5	



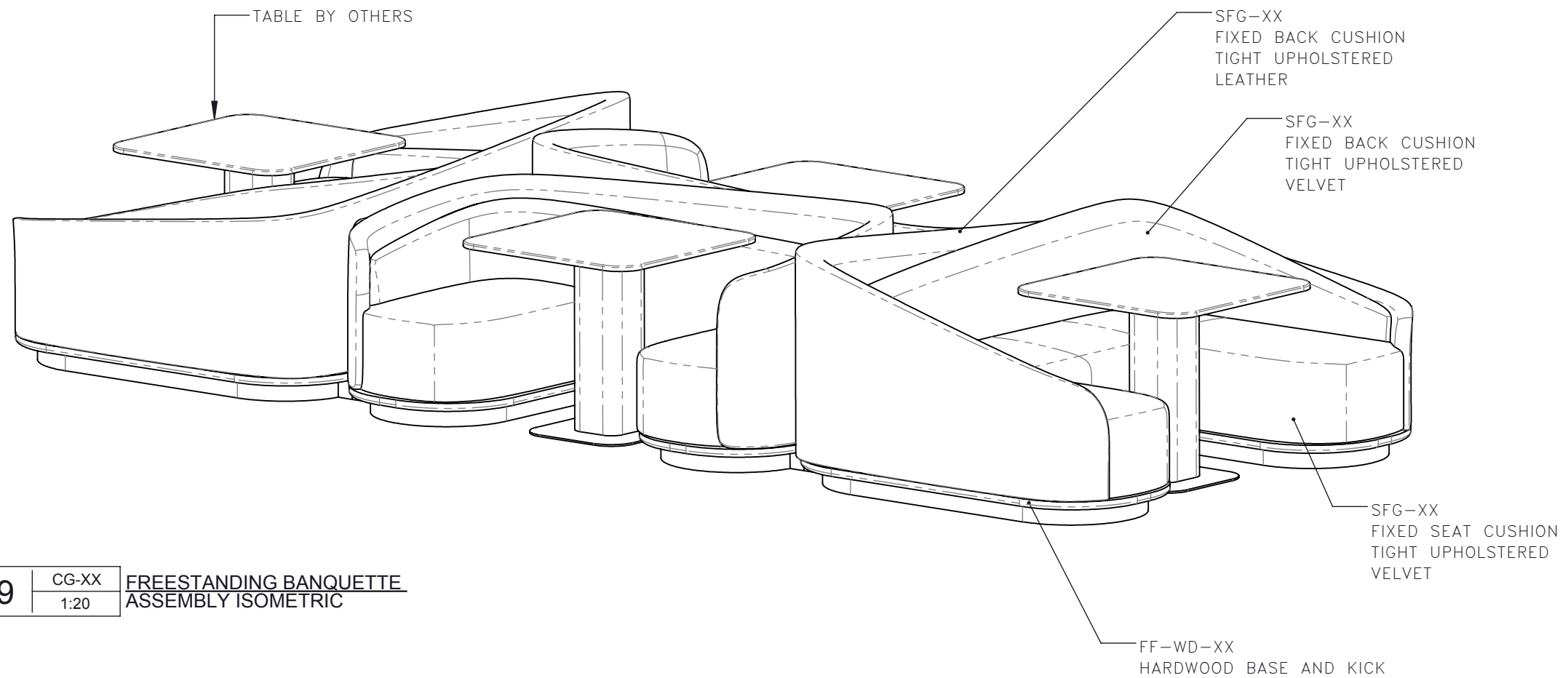
1	CG-XX	FREESTANDING BANQUETTE ASSEMBLY PLAN
	1:20	

FOR DESIGN INTENT ONLY

DRAWING ARE NOT TO BE SCALED. CONTRACTOR MUST CHECK AND VERIFY ALL JOB DIMENSIONS, DRAWINGS, DETAILS AND SPECIFICATIONS; AND REPORT ANY DISCREPANCIES TO DESIGNER BEFORE PROCEEDING WITH WORK.



8 CG-XX FREESTANDING BANQUETTE ASSEMBLY FRONT ELEVATION
1:20



9 CG-XX FREESTANDING BANQUETTE ASSEMBLY ISOMETRIC
1:20

-REV/	-ISSUED FOR	-DATE

STUDIO MUNGE
 25 WINGOLD AVENUE
 TORONTO, ONTARIO
 M6B 1P8 CANADA
 416.588.1668
 STUDIOMUNGE.COM

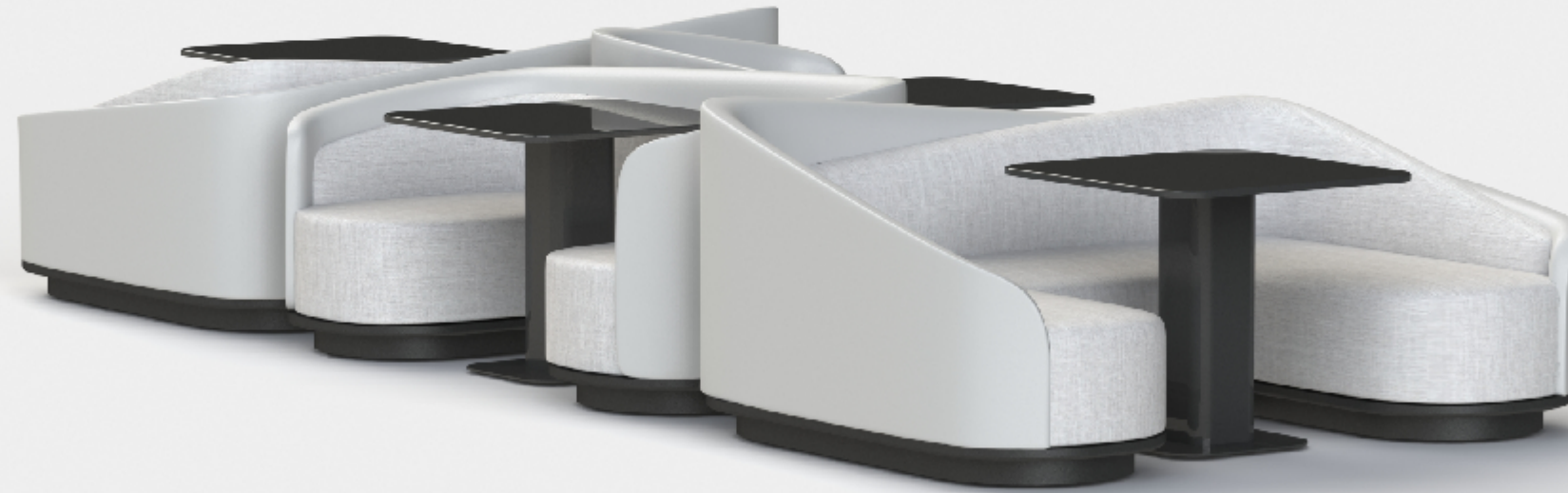
-SCALE AS NOTED	-DATE 6/12/18
-DRAWN BY LS	-CHECKED BY
-PROJECT NAME 2559 YONGE	
-DRAWING TITLE CG-XX FREESTANDING BANQUETTE	
-PROJECT NUMBER 17105	
-DRAWING NUMBER 4 / 5	

STUDIO MUNGE
Y
E
M
D
C
B
A
Y

1 2 3 4 5 6

FOR DESIGN INTENT ONLY

DRAWING ARE NOT TO BE SCALED. CONTRACTOR MUST CHECK AND VERIFY ALL JOB DIMENSIONS, DRAWINGS, DETAILS AND SPECIFICATIONS; AND REPORT ANY DISCREPANCIES TO DESIGNER BEFORE PROCEEDING WITH WORK.



-REV/	-ISSUED FOR	-DATE

**STUDIO
MUNGE**
25 WINGOLD AVENUE
TORONTO, ONTARIO
M6B 1P8 CANADA
416.588.1668
STUDIOMUNGE.COM

-SCALE
AS NOTED

-DATE
6/12/18

-DRAWN BY
LS

-CHECKED BY

-PROJECT NAME

2559 YONGE

-DRAWING TITLE

CG-XX
FREESTANDING BANQUETTE

-PROJECT NUMBER
17105

-DRAWING NUMBER
5 / 5

1 2 3 4 5 6