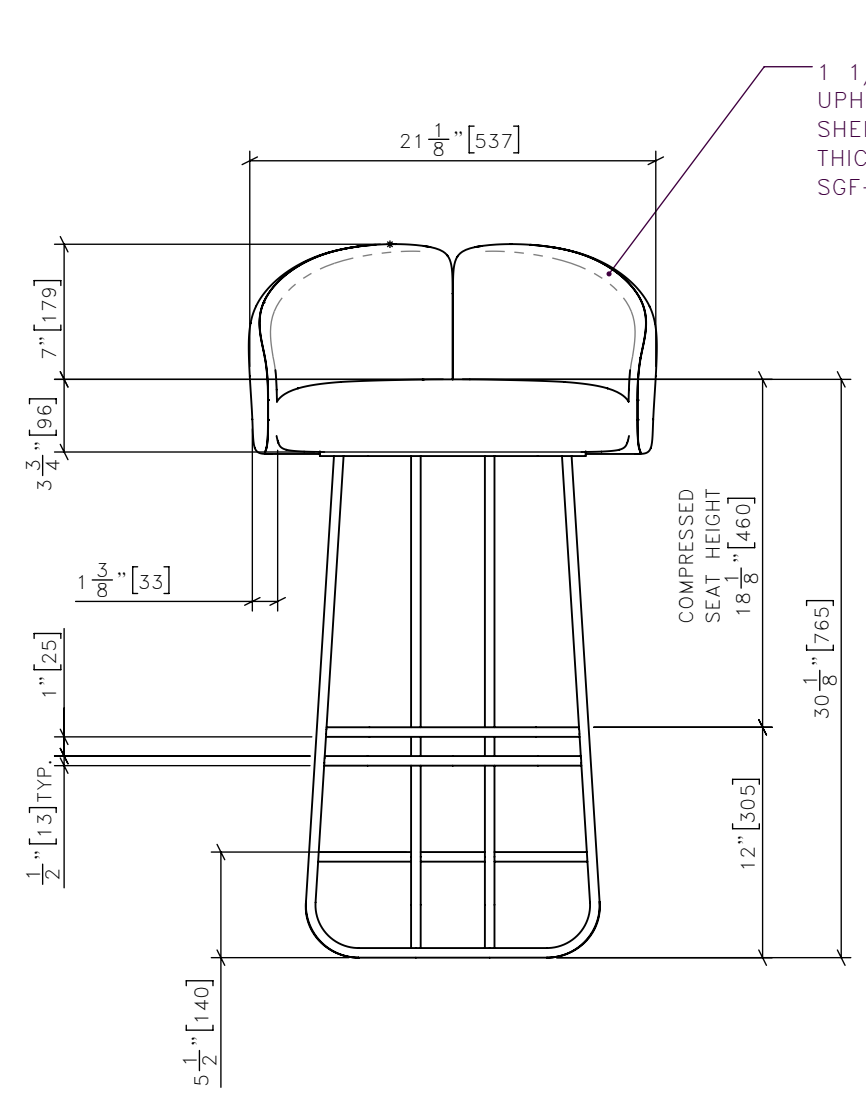
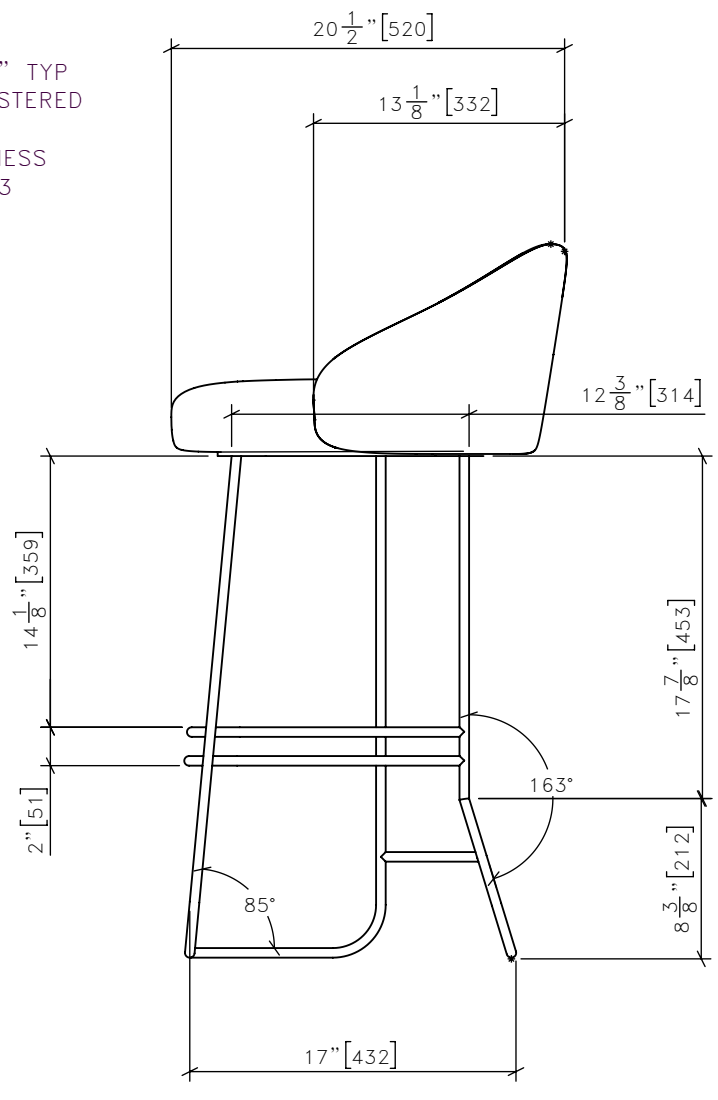


FOR DESIGN INTENT ONLY

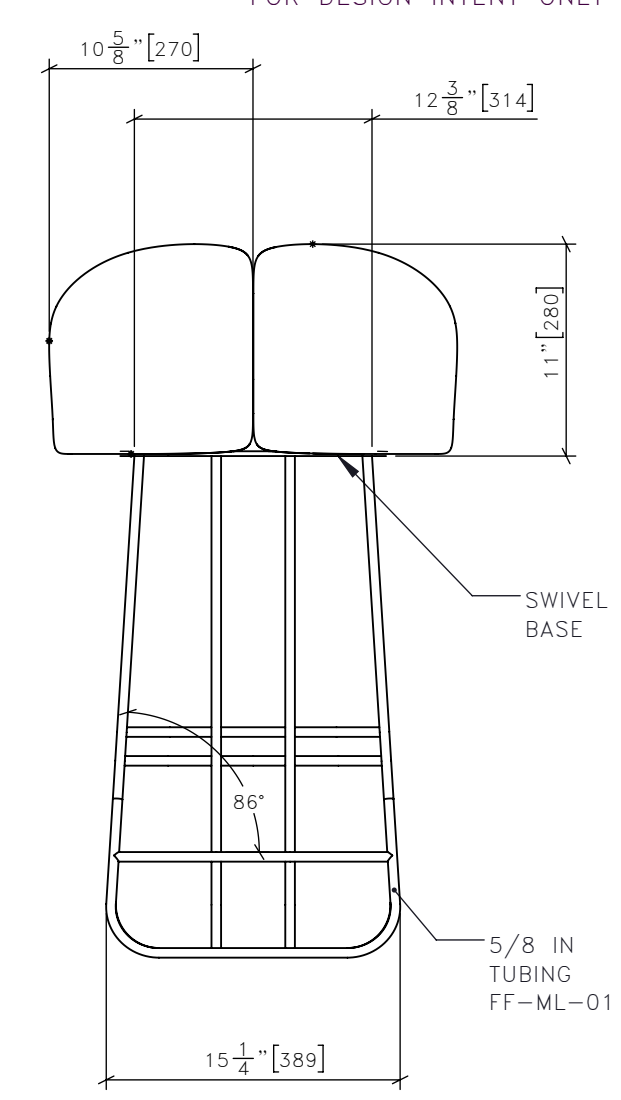
DRAWING ARE NOT TO BE SCALED. CONTRACTOR MUST CHECK AND VERIFY ALL JOB DIMENSIONS, DRAWINGS, DETAILS AND SPECIFICATIONS; AND REPORT ANY DISCREPANCIES TO DESIGNER BEFORE PROCEEDING WITH WORK.



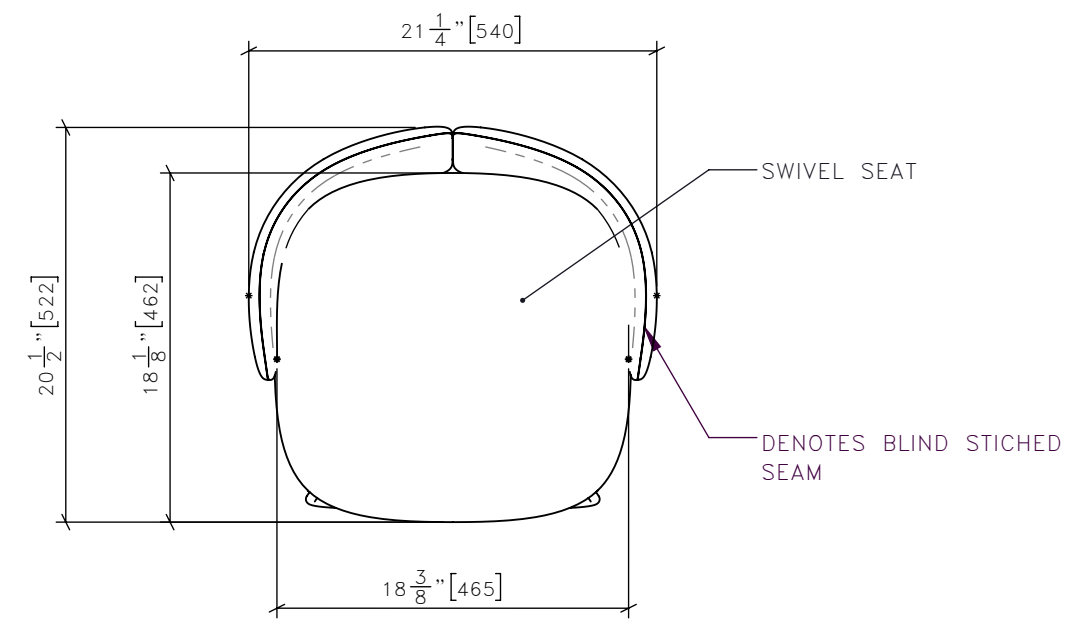
1 | SG-03 | **CUSTOM BAR STOOL FRONT ELEVATION**
1:10



3 | SG-03 | **CUSTOM BAR STOOL SIDE ELEVATION**
1:10



3 | SG-03 | **CUSTOM BAR STOOL SIDE ELEVATION**
1:10



2 | SG-03 | **CUSTOM BAR STOOL PLAN**
1:10

-REV/	-ISSUED FOR	-DATE

STUDIO MUNGE
25 WINGOLD AVENUE
TORONTO, ONTARIO
M6B 1P8 CANADA
416.588.1668
STUDIOMUNGE.COM

-SCALE AS NOTED
-DATE 10/6/17

-DRAWN BY AM
-CHECKED BY

-PROJECT NAME

99 YORKVILLE

-DRAWING TITLE

SG-03
BARSTOOL 1

-PROJECT NUMBER
16139

-DRAWING NUMBER
1 / 4

STUDIO MUNGE

FOR DESIGN INTENT ONLY

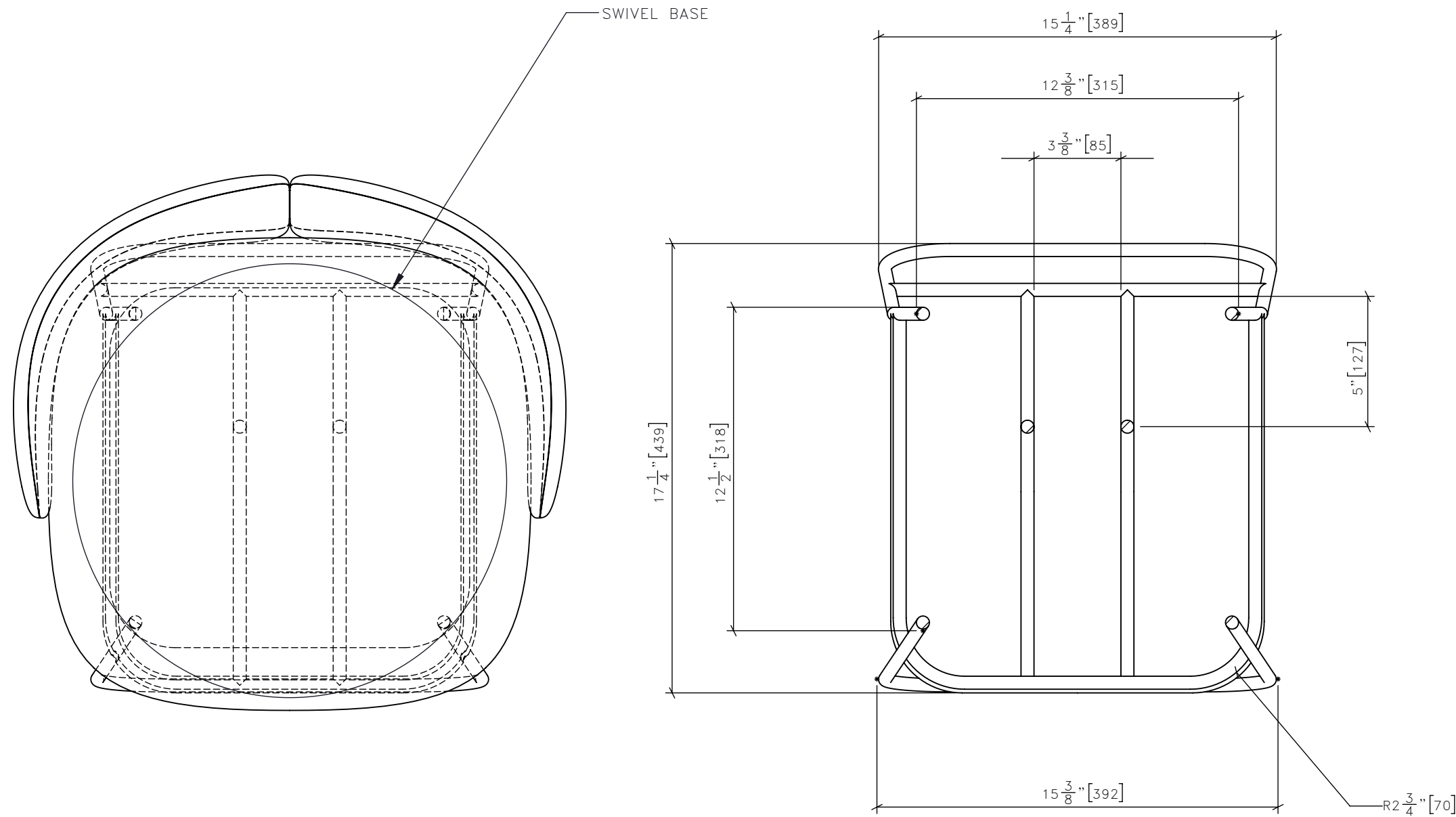
DRAWING ARE NOT TO BE SCALED. CONTRACTOR MUST CHECK AND VERIFY ALL JOB DIMENSIONS, DRAWINGS, DETAILS AND SPECIFICATIONS, AND REPORT ANY DISCREPANCIES TO DESIGNER BEFORE PROCEEDING WITH WORK.

ALL BASE MEMBERS TO BE 5/8" O.D. STEEL TUBING

NOTCH ALL PIPE JOINTS

GRIND ALL WELDS FLUSH AND SEAMLESS

ADD PROTECTIVE GLIDES TO TUBE BOTTOM AS NEEDED



5 | SG-03 | CUSTOM BAR STOOL
1:5 | PLAN (HIDDEN LINES VISIBLE)

6 | SG-03 | CUSTOM BAR STOOL
1:5 | PLAN (BASE ONLY)

-REV-	-ISSUED FOR	-DATE

STUDIO MUNGE
 25 WINGOLD AVENUE
 TORONTO, ONTARIO
 M6B 1P8 CANADA
 416.588.1668
 STUDIOMUNGE.COM

-SCALE AS NOTED	-DATE 10/6/17
-DRAWN BY AM	-CHECKED BY
-PROJECT NAME 99 YORKVILLE	
-DRAWING TITLE SG-03 BARSTOOL 1	
-PROJECT NUMBER 16139	
-DRAWING NUMBER 2 / 4	

STUDIO MUNGE

FOR DESIGN INTENT ONLY

DRAWING ARE NOT TO BE SCALED. CONTRACTOR MUST CHECK AND VERIFY ALL JOB DIMENSIONS, DRAWINGS, DETAILS AND SPECIFICATIONS; AND REPORT ANY DISCREPANCIES TO DESIGNER BEFORE PROCEEDING WITH WORK.

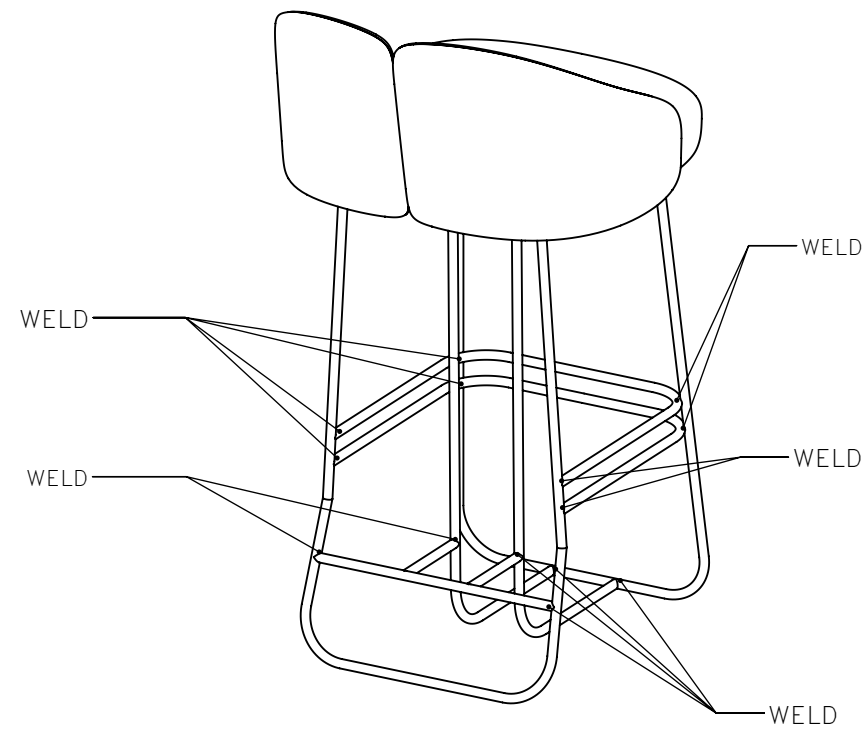
ALL BASE MEMBERS TO BE 1/2" O.D. STEEL TUBING

NOTCH ALL PIPE JOINTS

GRIND ALL WELDS FLUSH AND SEAMLESS

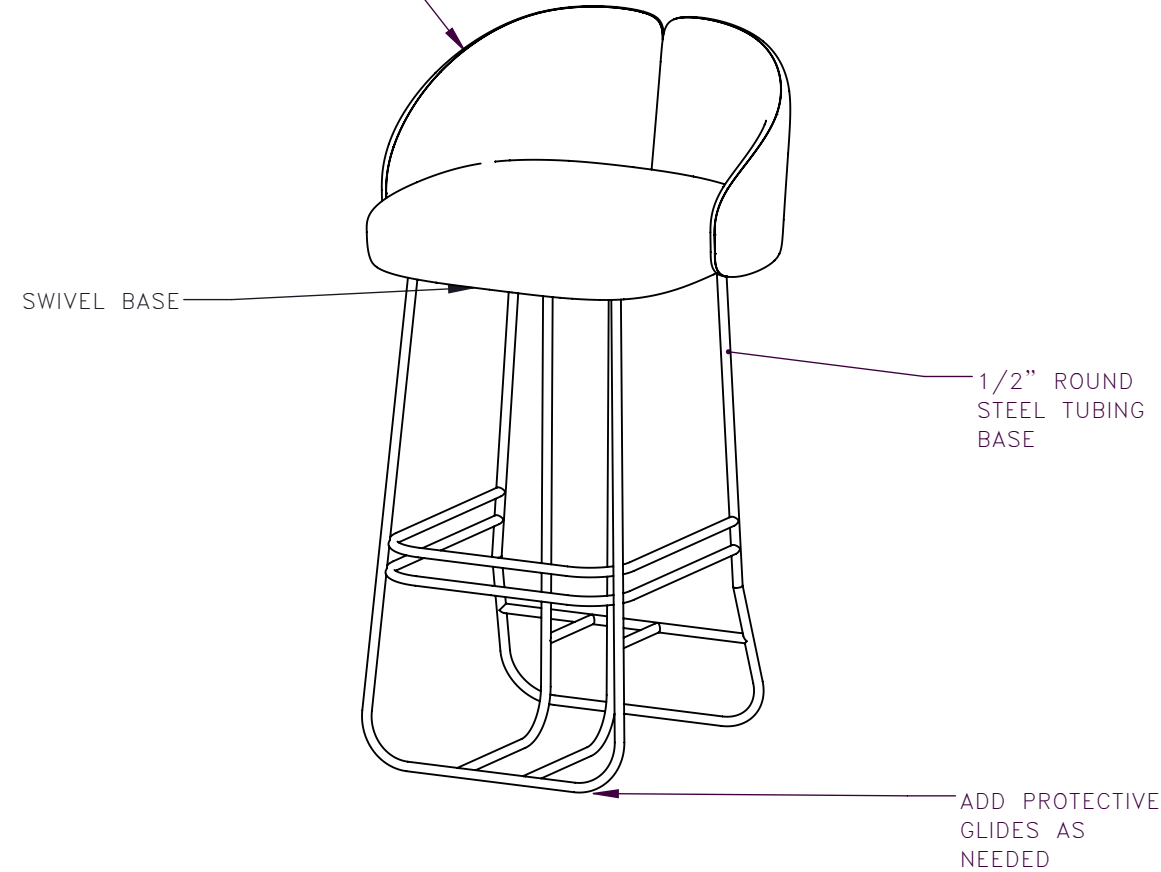
ADD PROTECTIVE GLIDES TO TUBE BOTTOM AS NEEDED

REV	ISSUED FOR	DATE



7 | SG-03 | CUSTOM BAR STOOL
1:5 | ISOMETRIC REAR

1.5" THICK TIGHT UPHOLSTERED SHELL
BLIND STITCH ALL SEAMS



8 | SG-03 | CUSTOM BAR STOOL
1:5 | ISOMETRIC FRONT

STUDIO MUNGE
25 WINGOLD AVENUE
TORONTO, ONTARIO
M6B 1P8 CANADA
416.588.1668
STUDIOMUNGE.COM

-SCALE AS NOTED	-DATE 10/6/17
-DRAWN BY AM	-CHECKED BY
-PROJECT NAME 99 YORKVILLE	
-DRAWING TITLE SG-03 BARSTOOL 1	
-PROJECT NUMBER 16139	
-DRAWING NUMBER 3 / 4	

STUDIO MUNGE
Y
E
D
C
B
A
Y

FOR DESIGN INTENT ONLY

DRAWING ARE NOT TO BE SCALED. CONTRACTOR MUST CHECK AND VERIFY ALL JOB DIMENSIONS, DRAWINGS, DETAILS AND SPECIFICATIONS; AND REPORT ANY DISCREPANCIES TO DESIGNER BEFORE PROCEEDING WITH WORK.

-REV/	-ISSUED FOR	-DATE



**STUDIO
MUNGE**
25 WINGOLD AVENUE
TORONTO, ONTARIO
M6B 1P8 CANADA
416.588.1668
STUDIOMUNGE.COM

-SCALE
AS NOTED

-DATE
10/6/17

-DRAWN BY
AM

-CHECKED BY

-PROJECT NAME

99 YORKVILLE

-DRAWING TITLE

SG-03
BARSTOOL 1

-PROJECT NUMBER
16139

-DRAWING NUMBER
4 / 4

9 | SG-03 | CUSTOM BAR STOOL
NTS | | RENDERED VIEW