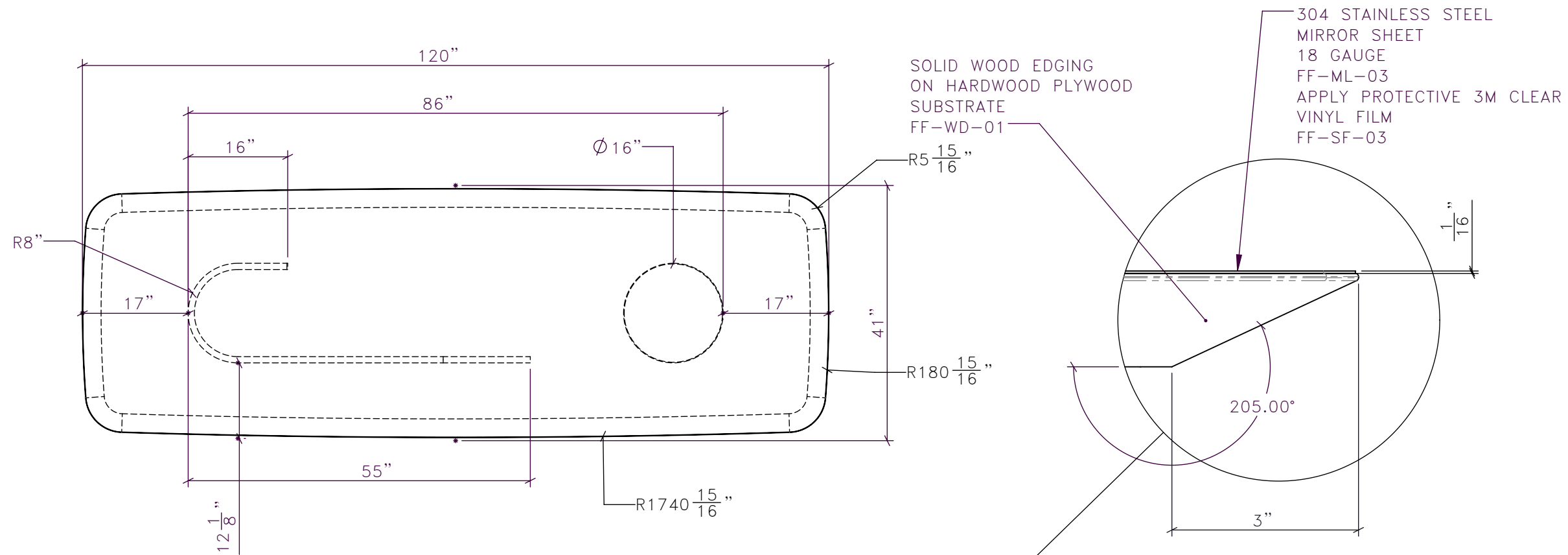


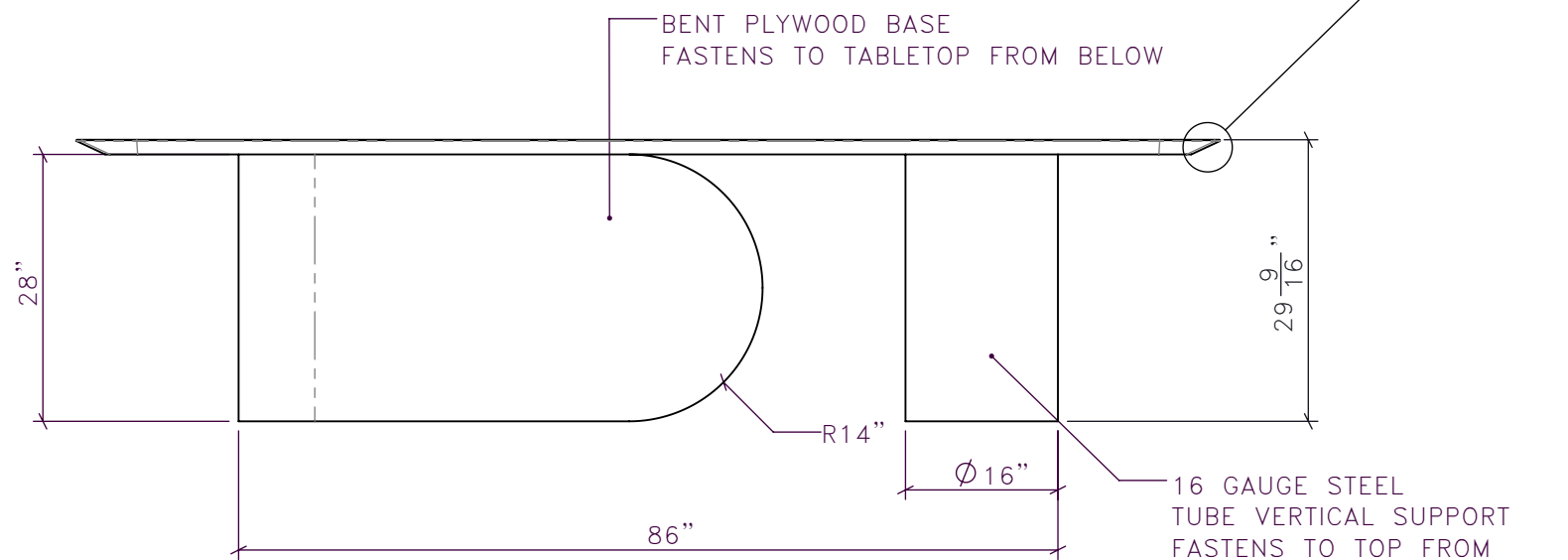
FOR DESIGN INTENT ONLY

DRAWING ARE NOT TO BE SCALED. CONTRACTOR MUST CHECK AND VERIFY ALL JOB DIMENSIONS, DRAWINGS, DETAILS AND SPECIFICATIONS; AND REPORT ANY DISCREPANCIES TO DESIGNER BEFORE PROCEEDING WITH WORK.

-REV/	-ISSUED FOR	-DATE

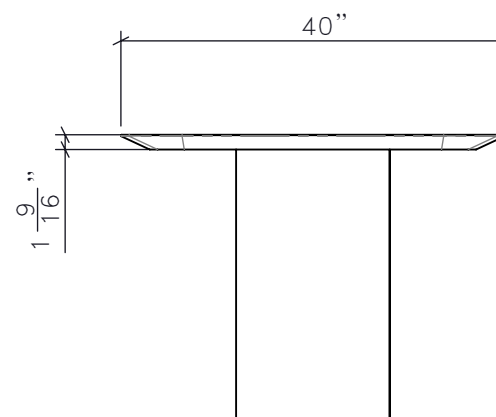


1 CG-13 1:20 **SMALL PDR TABLE**
PLAN - HIDDEN LINES VISIBLE



2 CG-13 1:20 **SMALL PDR TABLE**
FRONT ELEVATION

ADD COUNTERWEIGHT FOR STABILITY AS NEEDED



3 CG-13 1:20 **SMALL PDR TABLE**
SIDE ELEVATION

STUDIO MUNGE
25 WINGOLD AVENUE
TORONTO, ONTARIO
M6B 1P8 CANADA
416.588.1668
STUDIOMUNGE.COM

-SCALE AS NOTED
-DATE 8/21/17

-DRAWN BY AM
-CHECKED BY

-PROJECT NAME
99 YORKVILLE RESTAURANT

-DRAWING TITLE
CG-13
PDR TABLE 1

-PROJECT NUMBER
16139

-DRAWING NUMBER
1 / 3

STUDIO MUNGE

FOR DESIGN INTENT ONLY

DRAWING ARE NOT TO BE SCALED. CONTRACTOR MUST CHECK AND VERIFY ALL JOB DIMENSIONS, DRAWINGS, DETAILS AND SPECIFICATIONS; AND REPORT ANY DISCREPANCIES TO DESIGNER BEFORE PROCEEDING WITH WORK.

-REV/	-ISSUED FOR	-DATE

SOLID WOOD EDGING ON HARDWOOD PLYWOOD SUBSTRATE
FF-WD-01

16 GAUGE STEEL TUBE VERTICAL SUPPORT FASTENS TO TOP FROM BELOW - WELD ROUND CAP TO BOTTOM EDGE, ADD GLIDES AS NEEDED

ADD COUNTERWEIGHT FOR STABILITY AS NEEDED

304 STAINLESS STEEL MIRROR SHEET
FF-ML-03
18 GAUGE
APPLY PROTECTIVE 3M CLEAR VINYL FILM
FF-SF-03

5 | CG-13 | **SMALL PDR TABLE ISOMETRIC**
1:20

BENT PLYWOOD BASE FASTENS TO TABLETOP FROM BELOW

304 STAINLESS STEEL MIRROR SHEET
FF-ML-03
18 GAUGE
APPLY PROTECTIVE 3M CLEAR VINYL FILM
FF-SF-03

BENT PLYWOOD BASE FASTENS TO TABLETOP FROM BELOW

16 GAUGE STEEL TUBE VERTICAL SUPPORT FASTENS TO TOP FROM BELOW - WELD ROUND CAP TO BOTTOM EDGE, ADD GLIDES AS NEEDED

ADD COUNTERWEIGHT FOR STABILITY AS NEEDED

4 | CG-13 | **SMALL PDR TABLE ISOMETRIC**
1:20

STUDIO MUNGE
25 WINGOLD AVENUE
TORONTO, ONTARIO
M6B 1P8 CANADA
416.588.1668
STUDIOMUNGE.COM

-SCALE
AS NOTED

-DATE
8/21/17

-DRAWN BY
AM

-CHECKED BY

-PROJECT NAME

99 YORKVILLE RESTAURANT

-DRAWING TITLE

CG-13
PDR TABLE 1

-PROJECT NUMBER
16139

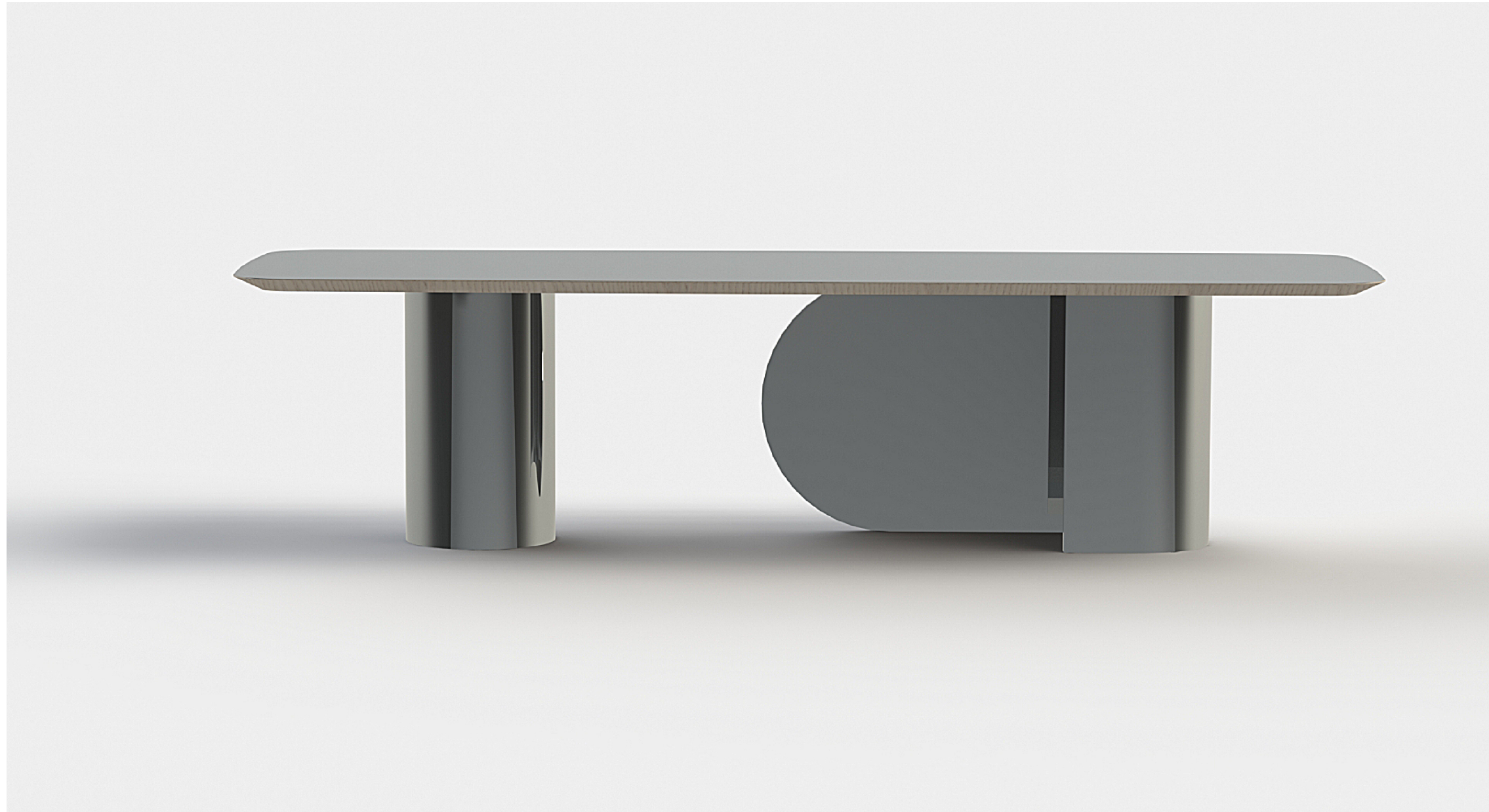
-DRAWING NUMBER
2 / 3

STUDIO MUNGE
E
D
C
B
A
Y

FOR DESIGN INTENT ONLY

DRAWING ARE NOT TO BE SCALED. CONTRACTOR MUST CHECK AND VERIFY ALL JOB DIMENSIONS, DRAWINGS, DETAILS AND SPECIFICATIONS; AND REPORT ANY DISCREPANCIES TO DESIGNER BEFORE PROCEEDING WITH WORK.

-REV/	-ISSUED FOR	-DATE



**STUDIO
MUNGE**
25 WINGOLD AVENUE
TORONTO, ONTARIO
M6B 1P8 CANADA
416.588.1668
STUDIOMUNGE.COM

-SCALE
AS NOTED

-DATE
8/21/17

-DRAWN BY
AM

-CHECKED BY

-PROJECT NAME

99 YORKVILLE RESTAURANT

-DRAWING TITLE

CG-13
PDR TABLE 1

-PROJECT NUMBER
16139

-DRAWING NUMBER
3 / 3

6	CG-13	SMALL PDR TABLE RENDERED VIEW
	NTS	