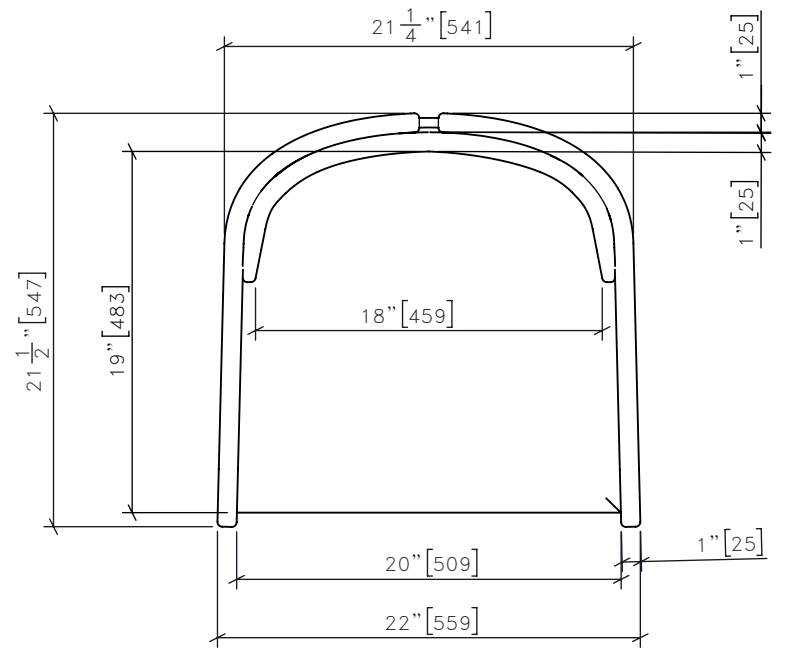


FOR DESIGN INTENT ONLY

DRAWING ARE NOT TO BE SCALED. CONTRACTOR MUST CHECK AND VERIFY ALL JOB DIMENSIONS, DRAWINGS, DETAILS AND SPECIFICATIONS, AND REPORT ANY DISCREPANCIES TO DESIGNER BEFORE PROCEEDING WITH WORK.

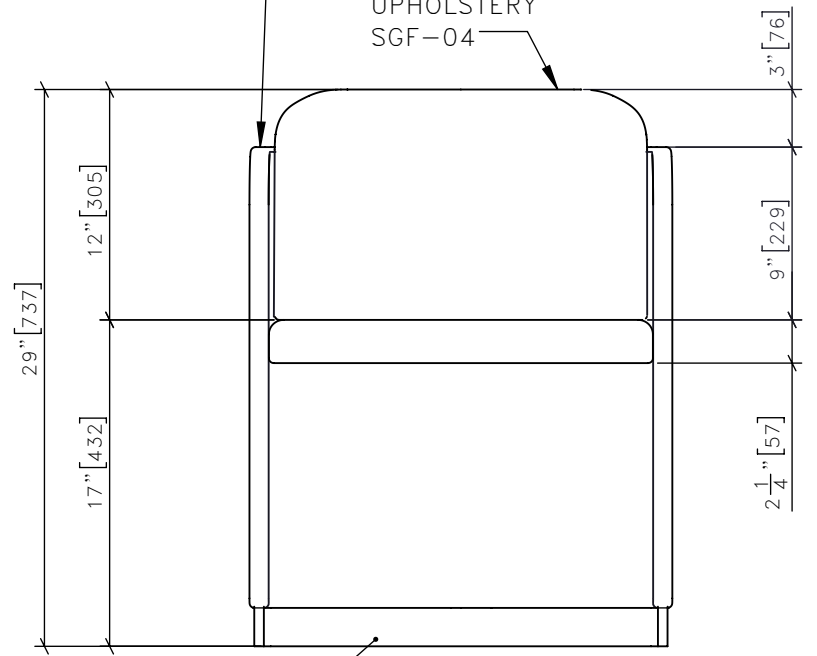
REV	ISSUED FOR	DATE



**1** | SG-04 | DINING CHAIR  
1:10 | PLAN

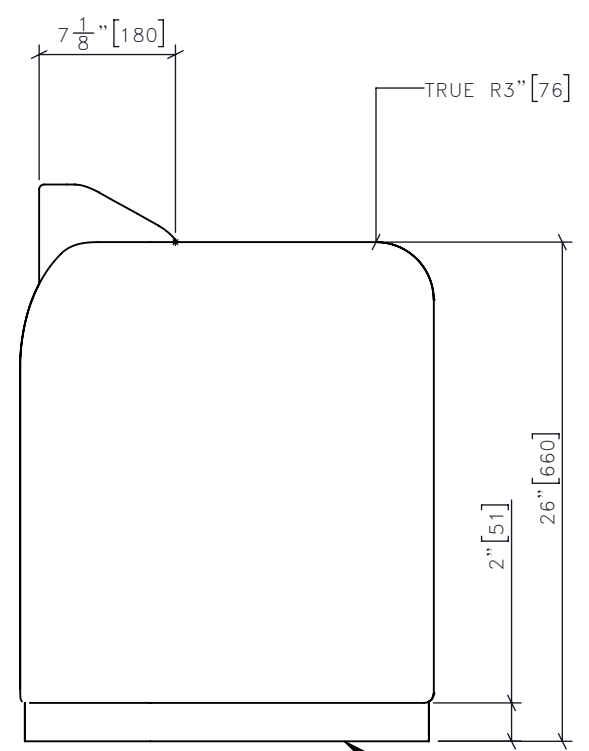
ALL SEAMS  
BLIND STITCHED

SEAT, LEGS, ARMREST  
AND BACKREST IN  
TIGHT / TAILORED  
UPHOLSTERY  
SGF-04



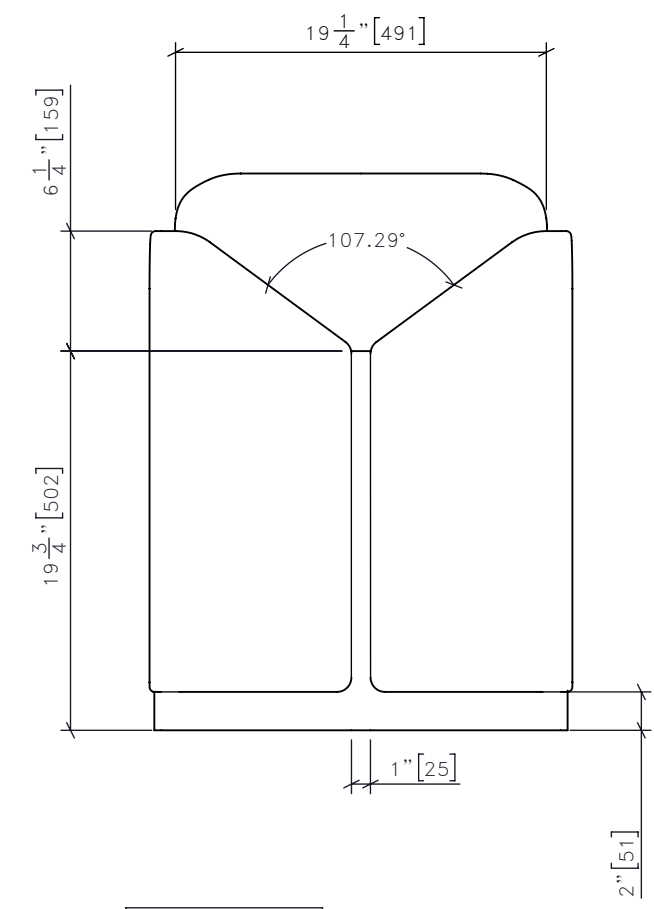
CHROME  
LAMINATE  
FF-PL-01

**2** | SG-04 | DINING CHAIR  
1:10 | FRONT ELEVATION



ADD GLIDES  
AS REQUIRED

**3** | SG-04 | DINING CHAIR  
1:10 | SIDE ELEVATION



**4** | SG-04 | DINING CHAIR  
1:10 | BACK ELEVATION

**STUDIO  
MUNGE** 25 WINGOLD AVENUE  
TORONTO, ONTARIO  
M6B 1P8 CANADA  
416.588.1668  
STUDIOMUNGE.COM

SCALE AS NOTED DATE 11/8/17

DRAWN BY EH CHECKED BY

PROJECT NAME

99 YORKVILLE RESTAURANT

DRAWING TITLE

SG-04  
DINING ARMCHAIR

PROJECT NUMBER 16139

DRAWING NUMBER 1 / 2

STUDIO MUNGE  
Y  
E  
M  
D  
C  
B  
A  
Y

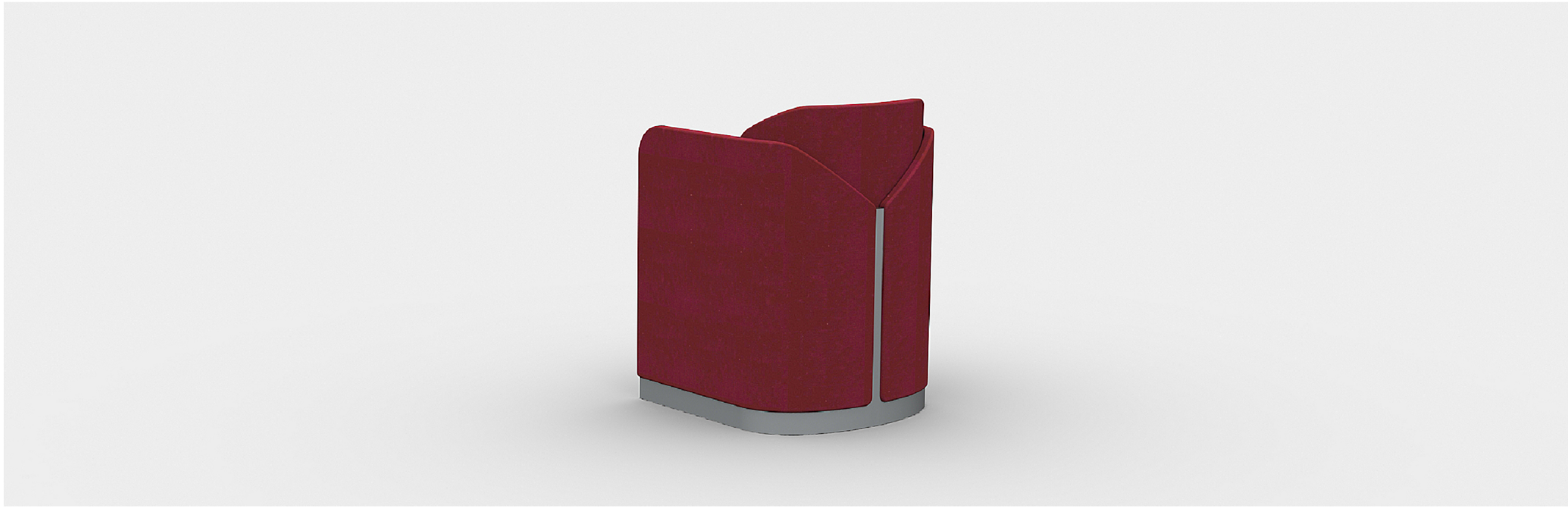
FOR DESIGN INTENT ONLY

DRAWING ARE NOT TO BE SCALED. CONTRACTOR MUST CHECK AND VERIFY ALL JOB DIMENSIONS, DRAWINGS, DETAILS AND SPECIFICATIONS; AND REPORT ANY DISCREPANCIES TO DESIGNER BEFORE PROCEEDING WITH WORK.

REV.	ISSUED FOR	DATE



**STUDIO MUNGE**  
25 WINGOLD AVENUE  
TORONTO, ONTARIO  
M6B 1P8 CANADA  
416.588.1668  
STUDIOMUNGE.COM



<b>-SCALE</b> AS NOTED	<b>-DATE</b> 11/8/17
<b>-DRAWN BY</b> EH	<b>-CHECKED BY</b> 
<b>-PROJECT NAME</b>  99 YORKVILLE RESTAURANT	
<b>-DRAWING TITLE</b>  SG-04 DINING ARMCHAIR	
<b>-PROJECT NUMBER</b> 16139	
<b>-DRAWING NUMBER</b> 2 / 2	

<b>5</b>	SG-04	DINING CHAIR PERSPECTIVE
	NTS	