

DRAWING ARE NOT TO BE SCALED. CONTRACTOR MUST CHECK AND VERIFY ALL JOB DIMENSIONS, DRAWINGS, DETAILS AND SPECIFICATIONS; AND REPORT ANY DISCREPANCIES TO DESIGNER BEFORE PROCEEDING WITH WORK.

-REV/	-ISSUED FOR	-DATE

STUDIO MUNGE
 25 WINGOLD AVENUE
 TORONTO, ONTARIO
 M6B 1P8 CANADA
 416.588.1668
 STUDIOMUNGE.COM

-SCALE
AS NOTED

-DATE
11/29/21

-DRAWN BY
EP

-CHECKED BY
EP

-PROJECT NAME

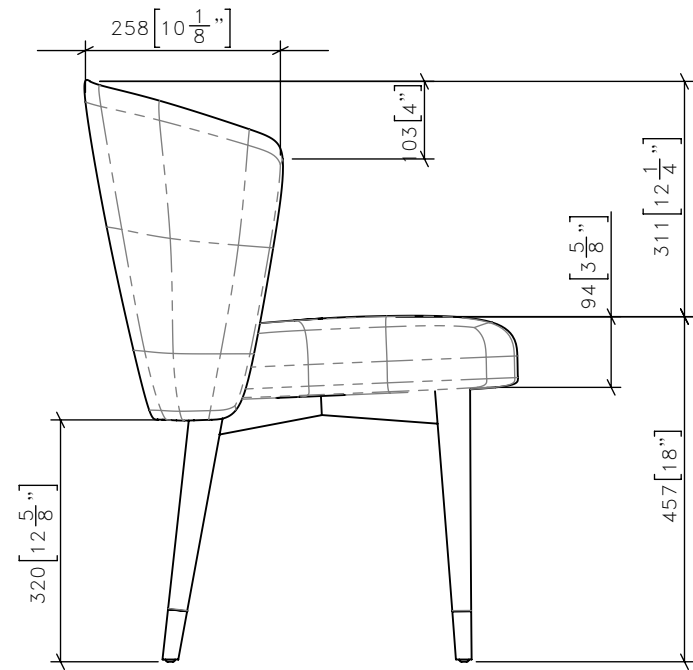
AM COLLECTION

-DRAWING TITLE

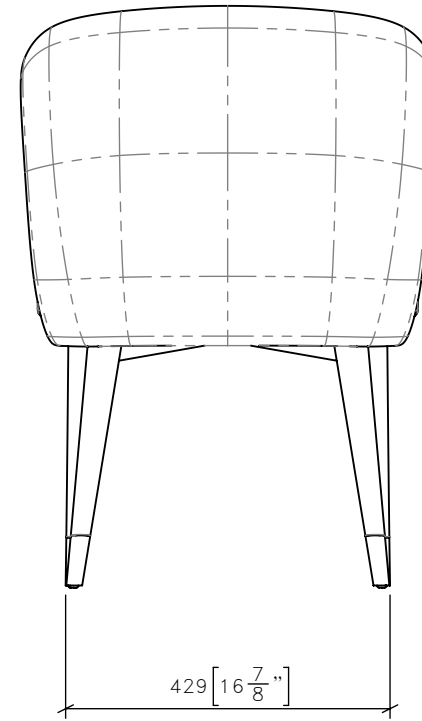
YORK-DCH-01
GONNA DINING CHAIR

-PROJECT NUMBER
17148

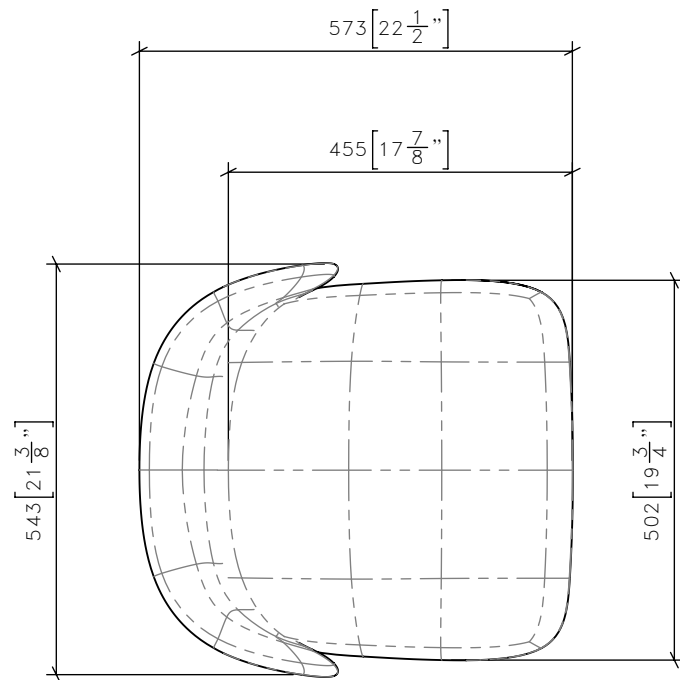
-DRAWING NUMBER
2 / 3



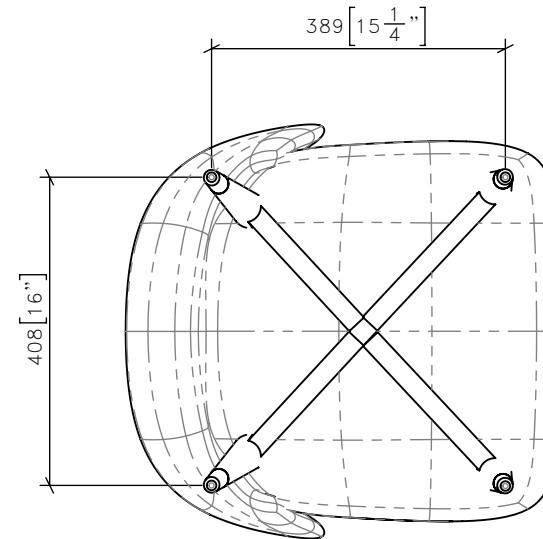
1 YORK-DCH-01 GONNA DINING CHAIR
1:10 FRONT ELEVATION



2 YORK-DCH-01 GONNA DINING CHAIR
1:10 SIDE ELEVATION



3 YORK-DCH-01 GONNA DINING CHAIR
1:10 PLAN



4 YORK-DCH-01 GONNA DINING CHAIR
1:10 BOTTOM PLAN

DRAWING ARE NOT TO BE SCALED. CONTRACTOR MUST CHECK AND VERIFY ALL JOB DIMENSIONS, DRAWINGS, DETAILS AND SPECIFICATIONS; AND REPORT ANY DISCREPANCIES TO DESIGNER BEFORE PROCEEDING WITH WORK.

-REV/	-ISSUED FOR	-DATE

STUDIO
MUNGE

25 WINGOLD AVENUE
TORONTO, ONTARIO
M6B 1P8 CANADA
416.588.1668
STUDIOMUNGE.COM

-SCALE AS NOTED
-DATE 11/29/21

-DRAWN BY EP
-CHECKED BY EP

-PROJECT NAME

AM COLLECTION

-DRAWING TITLE

YORK-DCH-01
GONNA DINING CHAIR

-PROJECT NUMBER
17148

-DRAWING NUMBER
3 / 3