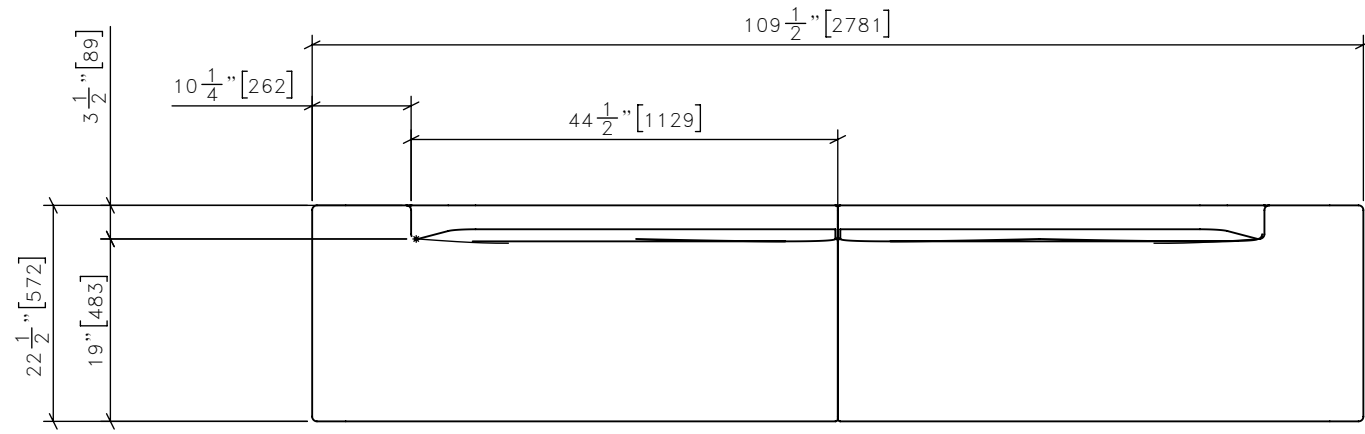
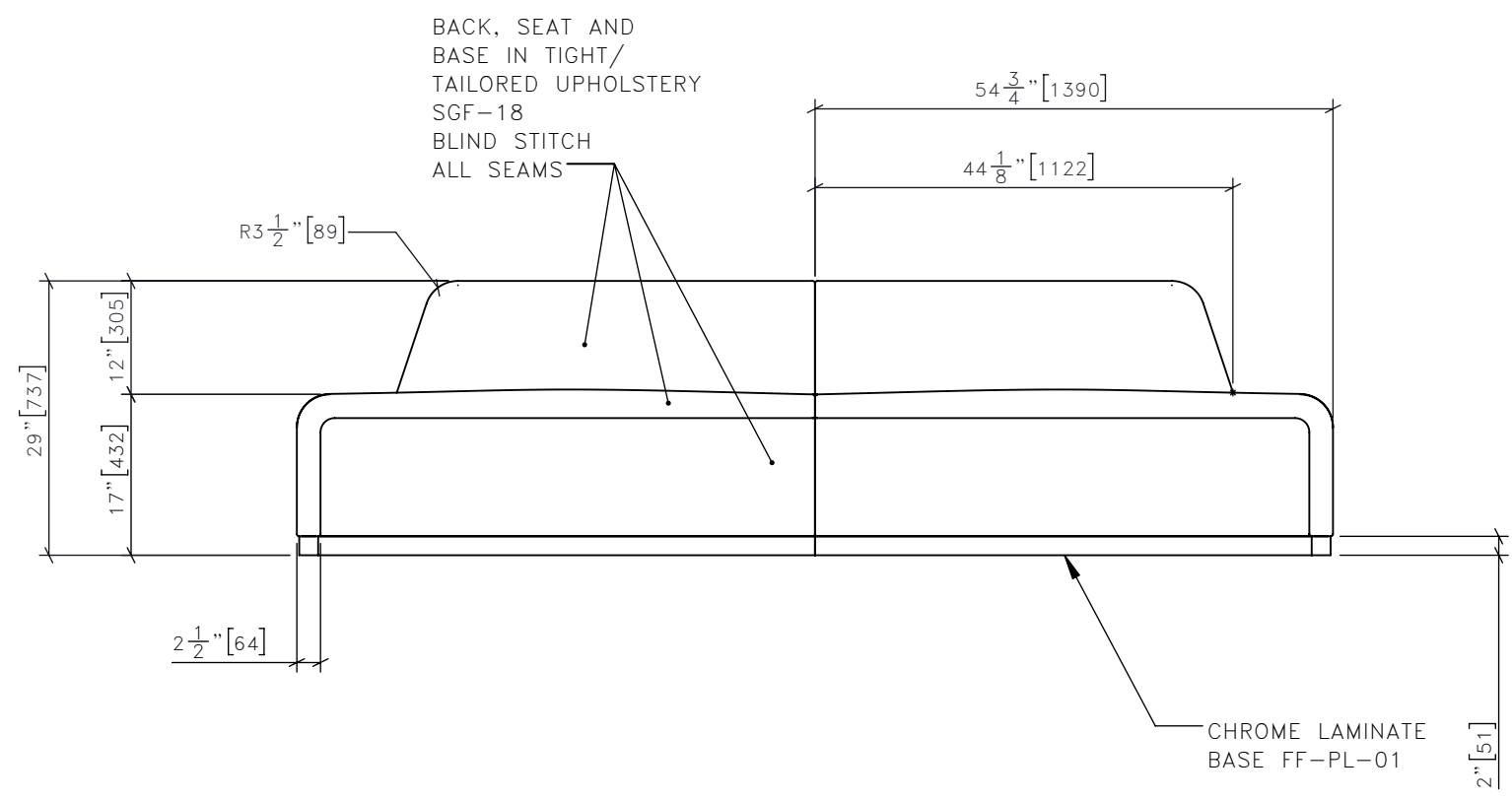


FOR DESIGN INTENT ONLY

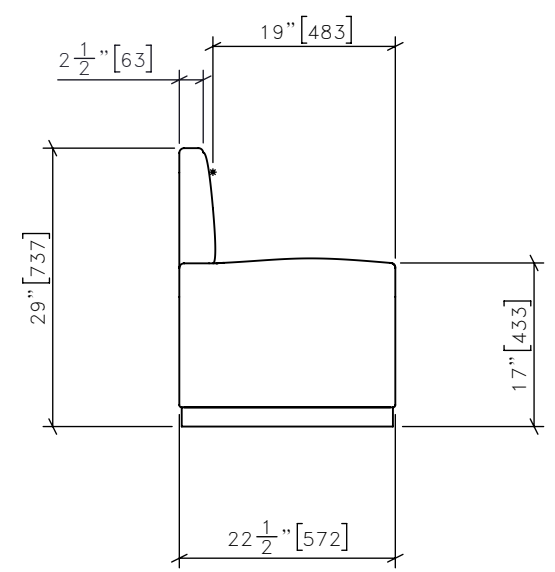
DRAWING ARE NOT TO BE SCALED. CONTRACTOR MUST CHECK AND VERIFY ALL JOB DIMENSIONS, DRAWINGS, DETAILS AND SPECIFICATIONS, AND REPORT ANY DISCREPANCIES TO DESIGNER BEFORE PROCEEDING WITH WORK.



1 | SG-18 | BANQUETTE
1:15 | PLAN



2 | SG-18 | BANQUETTE
1:15 | FRONT ELEVATION



3 | SG-18 | BANQUETTE
1:15 | SIDE ELEVATION

REV	ISSUED FOR	DATE

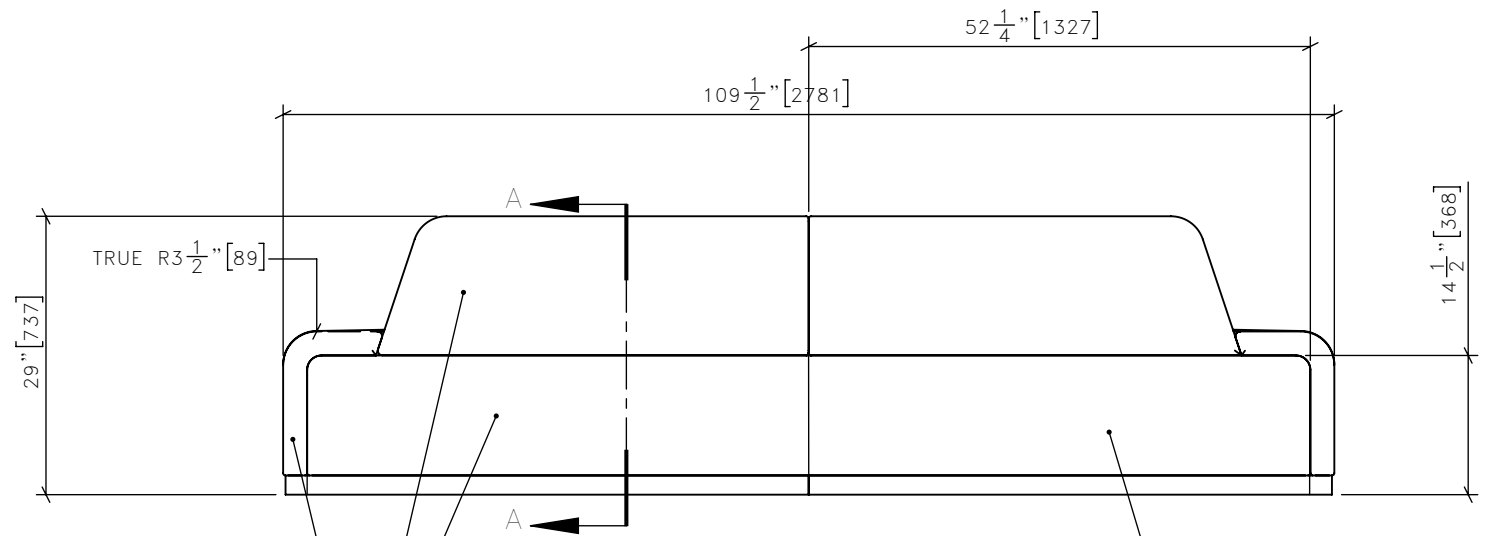
STUDIO MUNGE
 25 WINGOLD AVENUE
 TORONTO, ONTARIO
 M6B 1P8 CANADA
 416.588.1668
 STUDIOMUNGE.COM

SCALE AS NOTED	DATE 11/8/17
DRAWN BY EH	CHECKED BY
PROJECT NAME 99 YORKVILLE RESTAURANT	
DRAWING TITLE SG-18 BANQUETTE	
PROJECT NUMBER 16139	
DRAWING NUMBER 1 / 3	

STUDIO MUNGE

FOR DESIGN INTENT ONLY

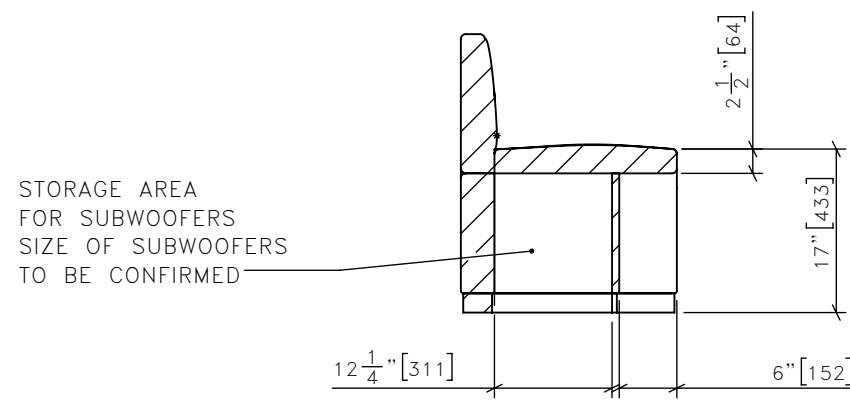
DRAWING ARE NOT TO BE SCALED. CONTRACTOR MUST CHECK AND VERIFY ALL JOB DIMENSIONS, DRAWINGS, DETAILS AND SPECIFICATIONS; AND REPORT ANY DISCREPANCIES TO DESIGNER BEFORE PROCEEDING WITH WORK.



BACK, SEAT AND
BASE IN TIGHT/
TAILORED UPHOLSTERY
SGF-18
BLIND STITCH
ALL SEAMS

BACK PANELS TO BE
SECURED WITH MAGNETS
REMOVABLE FOR ACCESS
TO SUBWOOFERS
STORED INSIDE

4 | SG-18 | **BANQUETTE
BACK ELEVATION**
1:15



STORAGE AREA
FOR SUBWOOFERS
SIZE OF SUBWOOFERS
TO BE CONFIRMED

5 | SG-18 | **BANQUETTE
SECTION A**
1:15

REV	ISSUED FOR	DATE

**STUDIO
MUNGE** 25 WINGOLD AVENUE
TORONTO, ONTARIO
M6B 1P8 CANADA
416.588.1668
STUDIOMUNGE.COM

SCALE AS NOTED	DATE 11/8/17
DRAWN BY EH	CHECKED BY
PROJECT NAME 99 YORKVILLE RESTAURANT	
DRAWING TITLE SG-18 BANQUETTE	
PROJECT NUMBER 16139	
DRAWING NUMBER 2 / 3	

STUDIO MUNGE
Y
E
M
D
C
B
A
Y

FOR DESIGN INTENT ONLY

DRAWING ARE NOT TO BE SCALED. CONTRACTOR MUST CHECK AND VERIFY ALL JOB DIMENSIONS, DRAWINGS, DETAILS AND SPECIFICATIONS; AND REPORT ANY DISCREPANCIES TO DESIGNER BEFORE PROCEEDING WITH WORK.

REV	ISSUED FOR	DATE



**STUDIO
MUNGE**
25 WINGOLD AVENUE
TORONTO, ONTARIO
M6B 1P8 CANADA
416.588.1668
STUDIOMUNGE.COM

SCALE AS NOTED
DATE 11/8/17

DRAWN BY EH
CHECKED BY

PROJECT NAME
99 YORKVILLE RESTAURANT

DRAWING TITLE
SG-18
BANQUETTE

PROJECT NUMBER
16139

DRAWING NUMBER
3 / 3

6 | SG-18 | BANQUETTE
NTS | RENDERING