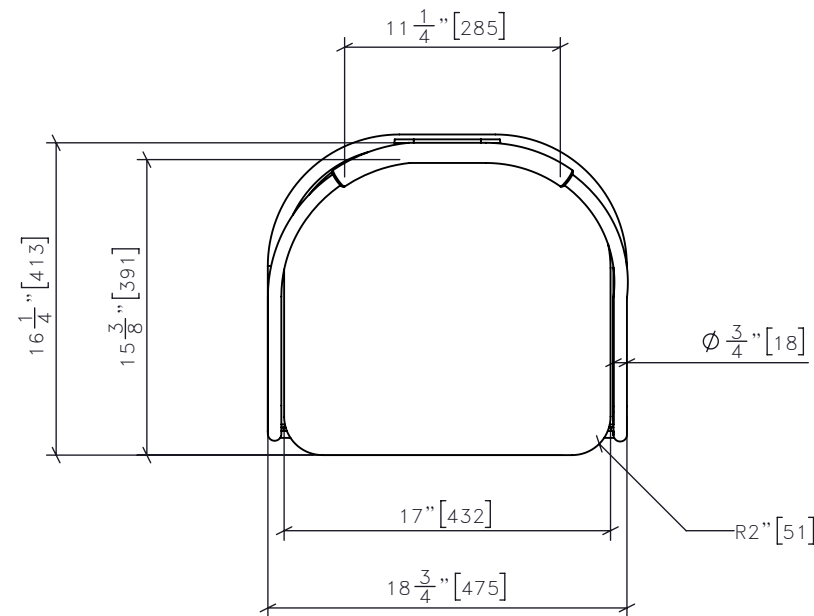


FOR DESIGN INTENT ONLY

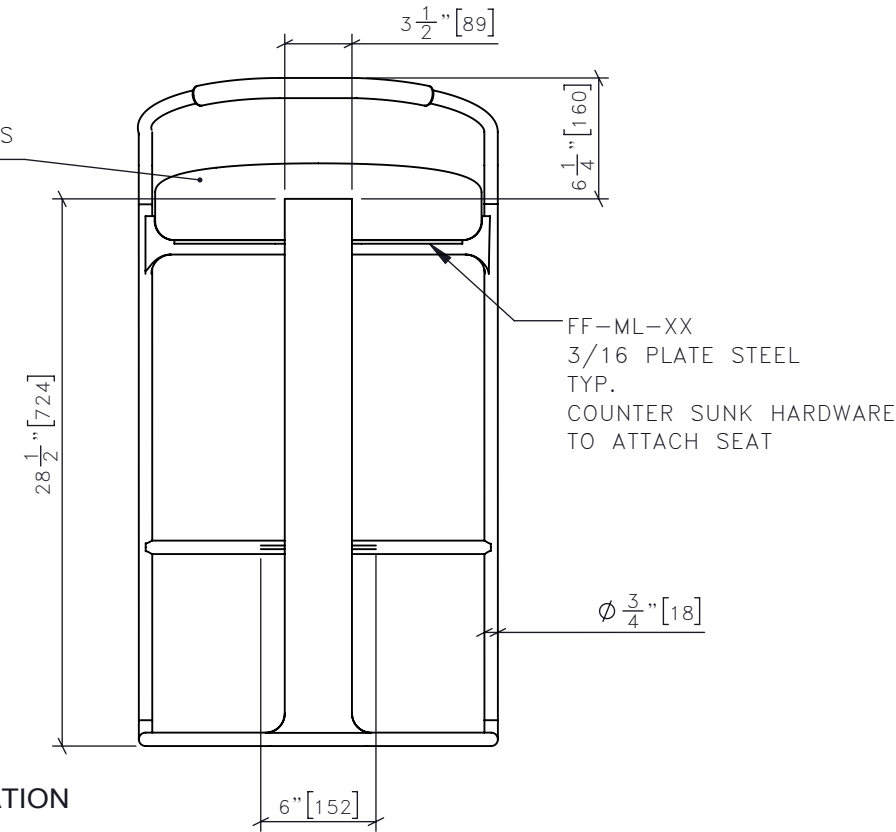
DRAWING ARE NOT TO BE SCALED. CONTRACTOR MUST CHECK AND VERIFY ALL JOB DIMENSIONS, DRAWINGS, DETAILS AND SPECIFICATIONS; AND REPORT ANY DISCREPANCIES TO DESIGNER BEFORE PROCEEDING WITH WORK.

NOTE: GRIND ALL WELDS FLUSH AND SEAMLESS

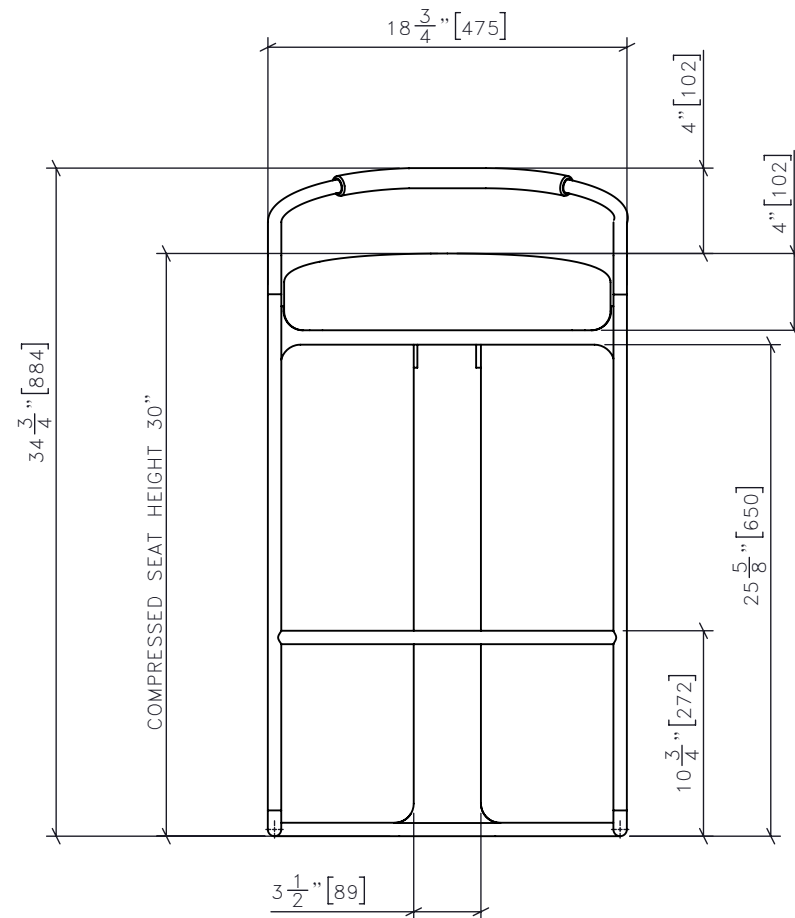


1 SG-XX
1:10 **BAR STOOL
PLAN VIEW**

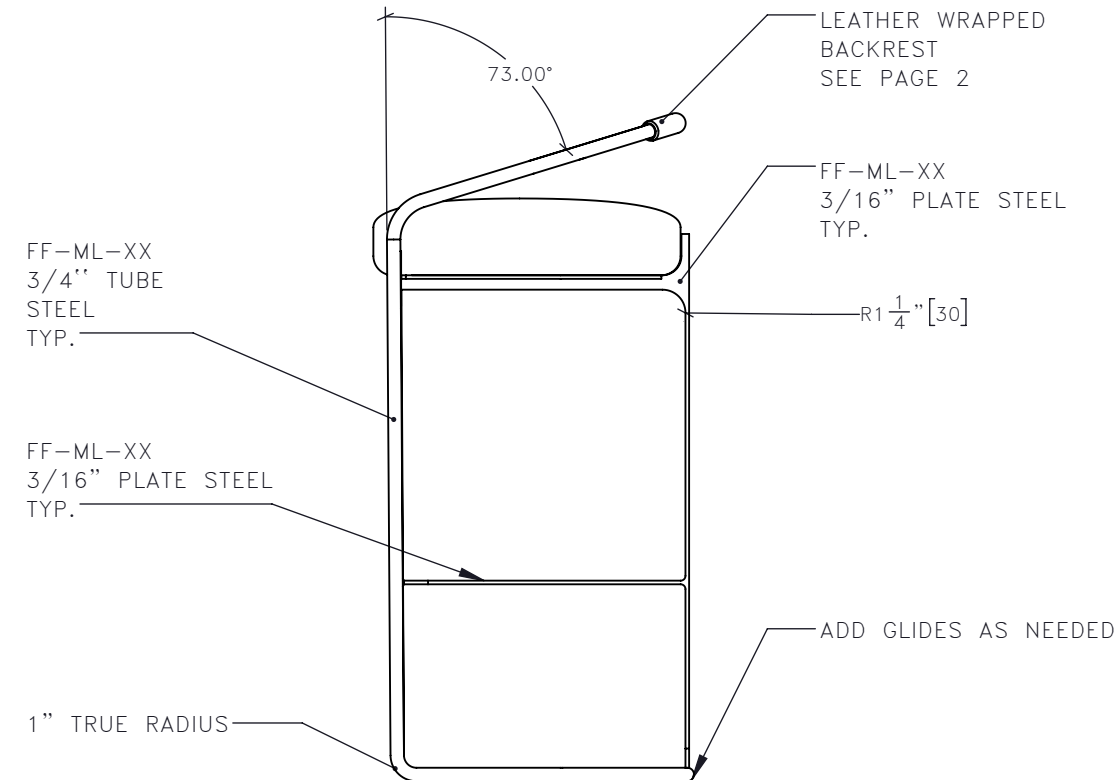
SGF-XX
TIGHT UPHOLSTERED
FIXED SEAT
BLIND STITCH ALL SEAMS
TYP



3 SG-XX
1:10 **BAR STOOL
SIDE ELEVATION**



2 SG-XX
1:10 **BAR STOOL
FRONT ELEVATION**



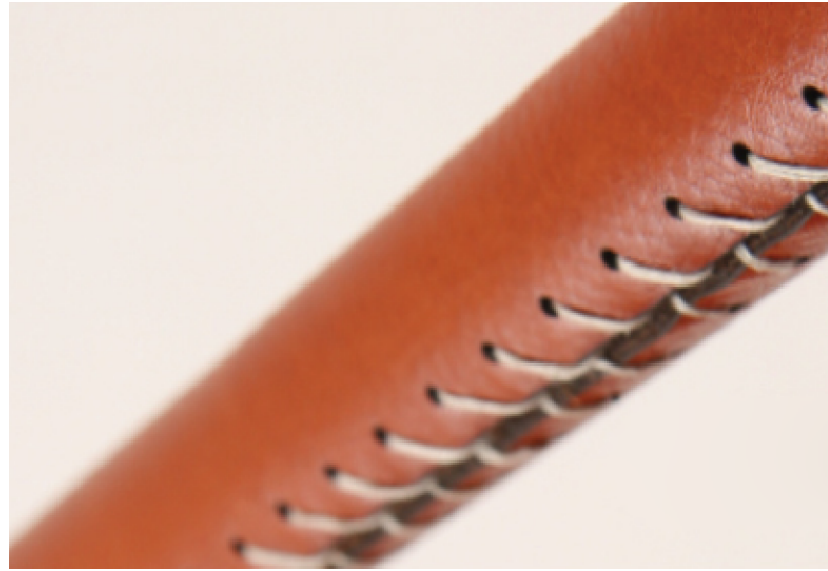
4 SG-XX
1:10 **BAR STOOL
SIDE ELEVATION**

REV	ISSUED FOR	DATE

**STUDIO
MUNGE**
25 WINGOLD AVENUE
TORONTO, ONTARIO
M6B 1P8 CANADA
416.588.1668
STUDIOMUNGE.COM

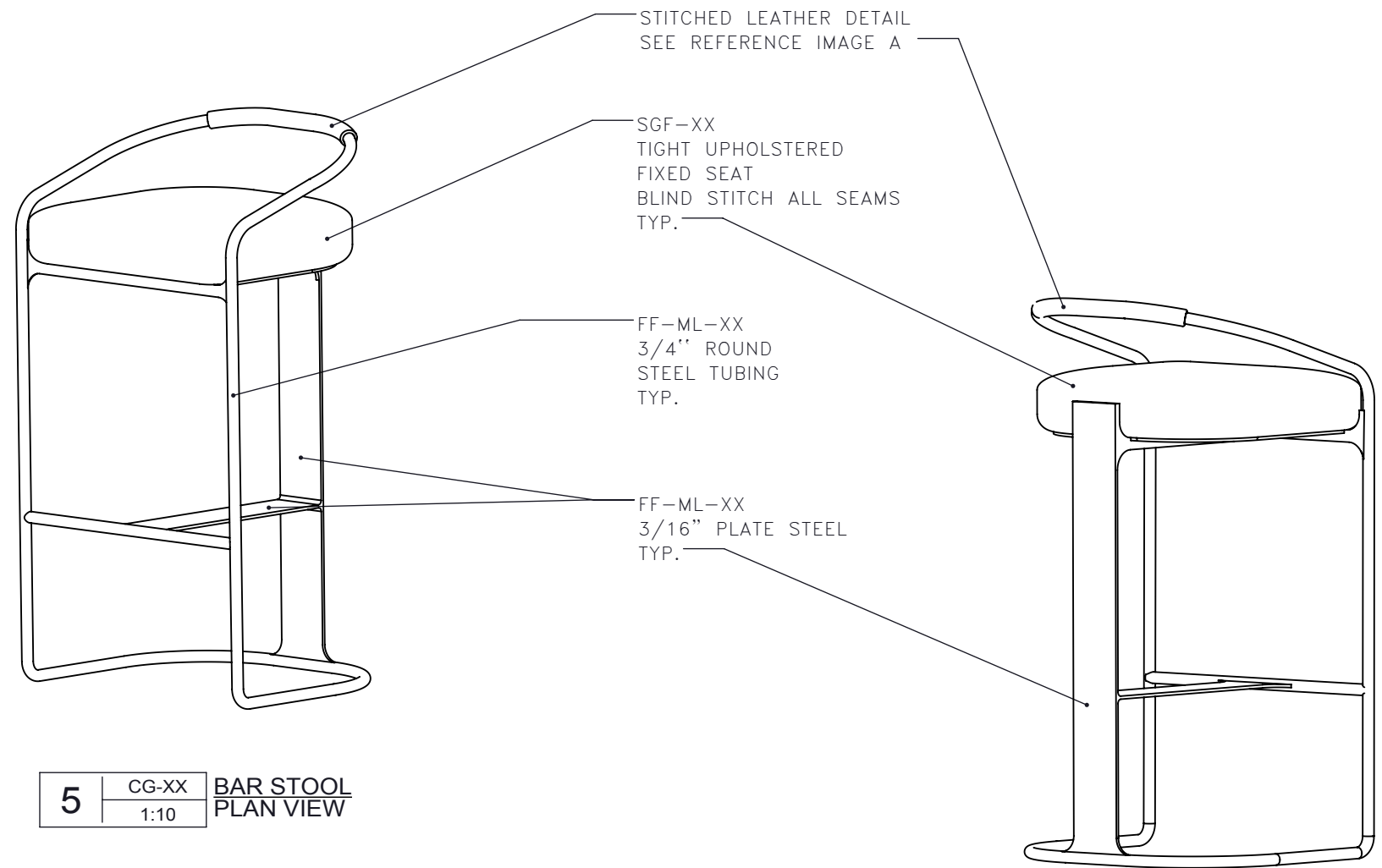
SCALE AS NOTED	DATE 7/11/17
DRAWN BY LS	CHECKED BY
PROJECT NAME 4050 YONGE ST	
DRAWING TITLE BAR STOOL SG-XX	
PROJECT NUMBER 16123	
DRAWING NUMBER 1 / 3	

STUDIO MUNGE



REFERENCE IMAGE A

NOTE: GRIND ALL WELDS FLUSH AND SEAMLESS



5 CG-XX BAR STOOL PLAN VIEW 1:10

6 CG-XX BAR STOOL SIDE ELEVATION 1:10

FOR DESIGN INTENT ONLY

DRAWING ARE NOT TO BE SCALED. CONTRACTOR MUST CHECK AND VERIFY ALL JOB DIMENSIONS, DRAWINGS, DETAILS AND SPECIFICATIONS; AND REPORT ANY DISCREPANCIES TO DESIGNER BEFORE PROCEEDING WITH WORK.

REV#	ISSUED FOR	DATE

STUDIO MUNGE
 25 WINGOLD AVENUE
 TORONTO, ONTARIO
 M6B 1P8 CANADA
 416.588.1668
 STUDIOMUNGE.COM

SCALE AS NOTED	DATE 7/11/17
DRAWN BY LS	CHECKED BY
PROJECT NAME 4050 YONGE ST	
DRAWING TITLE BAR STOOL SG-XX	
PROJECT NUMBER 16123	
DRAWING NUMBER 2 / 3	

STUDIO MUNGE
Y
E
M
D
C
B
A
Y

FOR DESIGN INTENT ONLY

DRAWING ARE NOT TO BE SCALED. CONTRACTOR MUST CHECK AND VERIFY ALL JOB DIMENSIONS, DRAWINGS, DETAILS AND SPECIFICATIONS; AND REPORT ANY DISCREPANCIES TO DESIGNER BEFORE PROCEEDING WITH WORK.

REV	ISSUED FOR	DATE



7 | SG-XX | BAR STOOL
NTS | RENDER VIEW

8 | SG-XX | BAR STOOL
NTS | RENDER VIEW

STUDIO MUNGE
 25 WINGOLD AVENUE
 TORONTO, ONTARIO
 M6B 1P8 CANADA
 416.588.1668
 STUDIOMUNGE.COM

SCALE AS NOTED
DATE 7/11/17

DRAWN BY LS
CHECKED BY

PROJECT NAME
 4050 YONGE ST.

DRAWING TITLE
 BAR STOOL
 SG-XX

PROJECT NUMBER
 16123

DRAWING NUMBER
 3 / 3