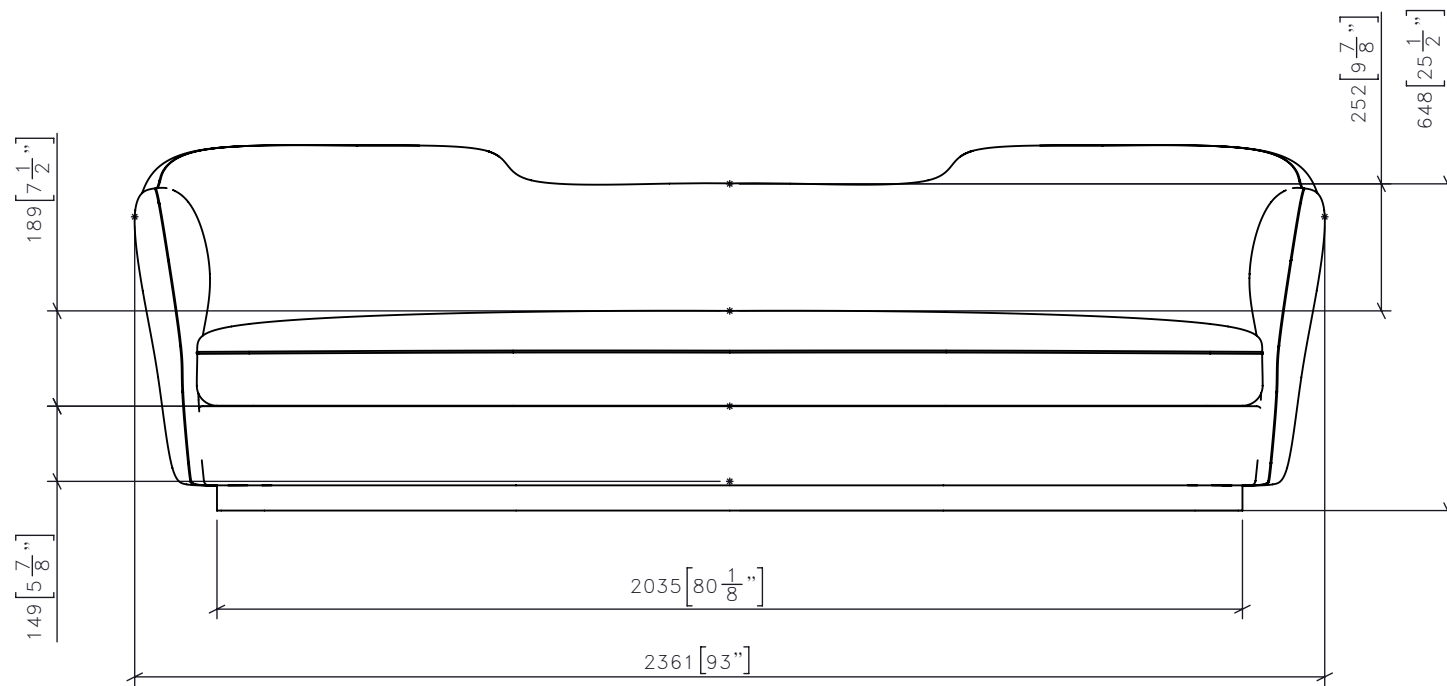


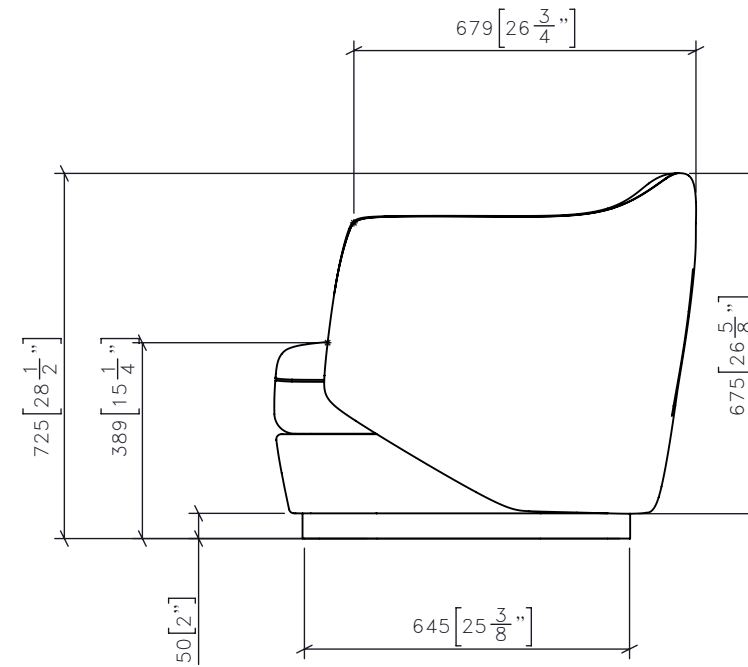
FOR DESIGN INTENT ONLY

DRAWING ARE NOT TO BE SCALED. CONTRACTOR MUST CHECK AND VERIFY ALL JOB DIMENSIONS, DRAWINGS, DETAILS AND SPECIFICATIONS; AND REPORT ANY DISCREPANCIES TO DESIGNER BEFORE PROCEEDING WITH WORK.

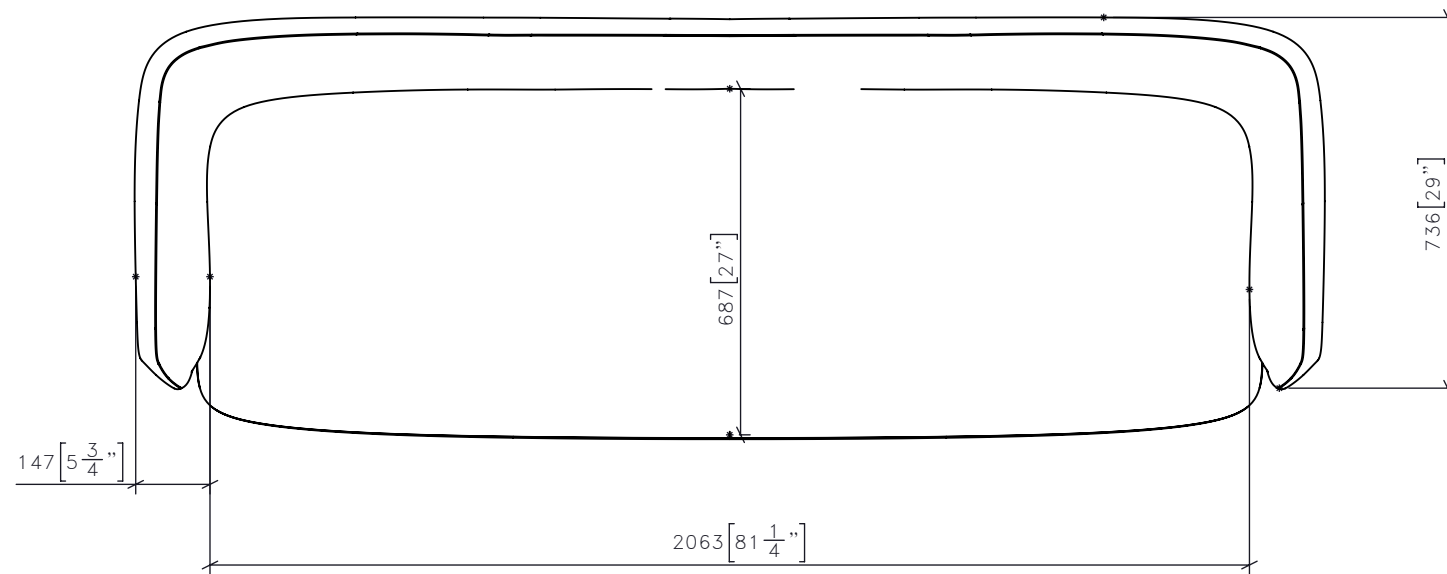
-REV/	-ISSUED FOR	-DATE



**1** | SG-XX | **KING SOFA CHAISE**  
1:15 | FRONT VIEW



**1** | SG-XX | **KING SOFA CHAISE**  
1:15 | SIDE VIEW



**1** | SG-XX | **KING SOFA CHAISE**  
1:15 | PLAN VIEW

**STUDIO MUNGE**  
25 WINGOLD AVENUE  
TORONTO, ONTARIO  
M6B 1P8 CANADA  
416.588.1668  
STUDIOMUNGE.COM

-SCALE AS NOTED	-DATE 1/10/18
-DRAWN BY RC	-CHECKED BY
-PROJECT NAME  4050 YOUNG ST	
-DRAWING TITLE  SG-XX KING SOFA CHAISE	
-PROJECT NUMBER XXXXXX	
-DRAWING NUMBER 1 / 2	

STUDIO MUNGE  
Y  
E  
M  
D  
C  
B  
A  
Y

FOR DESIGN INTENT ONLY

DRAWING ARE NOT TO BE SCALED. CONTRACTOR MUST CHECK AND VERIFY ALL JOB DIMENSIONS, DRAWINGS, DETAILS AND SPECIFICATIONS; AND REPORT ANY DISCREPANCIES TO DESIGNER BEFORE PROCEEDING WITH WORK.

-REV/	-ISSUED FOR	-DATE



**STUDIO  
MUNGE** 25 WINGOLD AVENUE  
TORONTO, ONTARIO  
M6B 1P8 CANADA  
416.588.1668  
STUDIOMUNGE.COM

**-SCALE** AS NOTED **-DATE** 1/10/18

**-DRAWN BY** AM **-CHECKED BY**

**-PROJECT NAME**  
4050 YOUNG ST

**-DRAWING TITLE**  
SG-XX  
KING SOFA CHAISE

**-PROJECT NUMBER**  
XXXXXX

**-DRAWING NUMBER**  
2 / 2