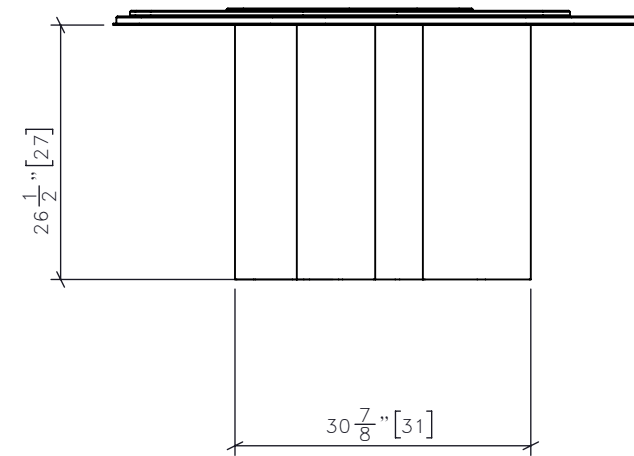
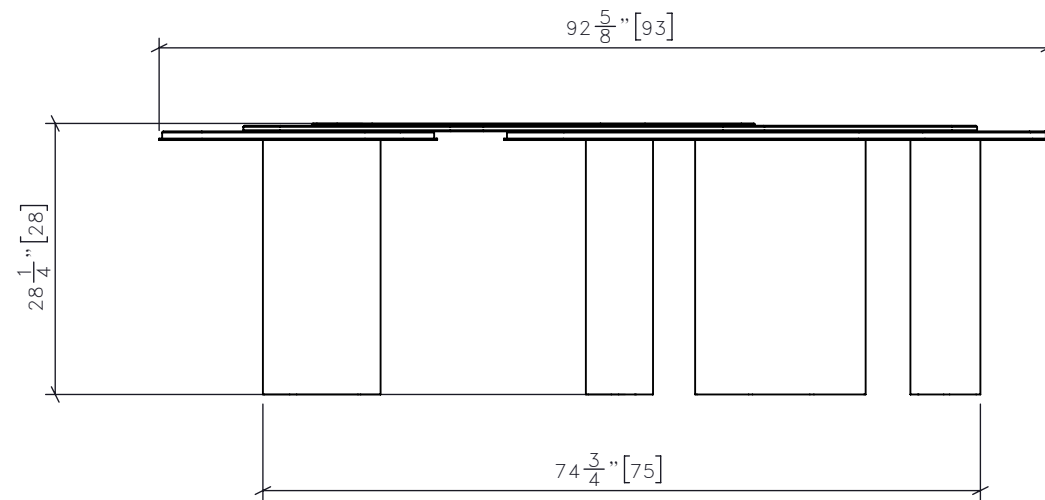
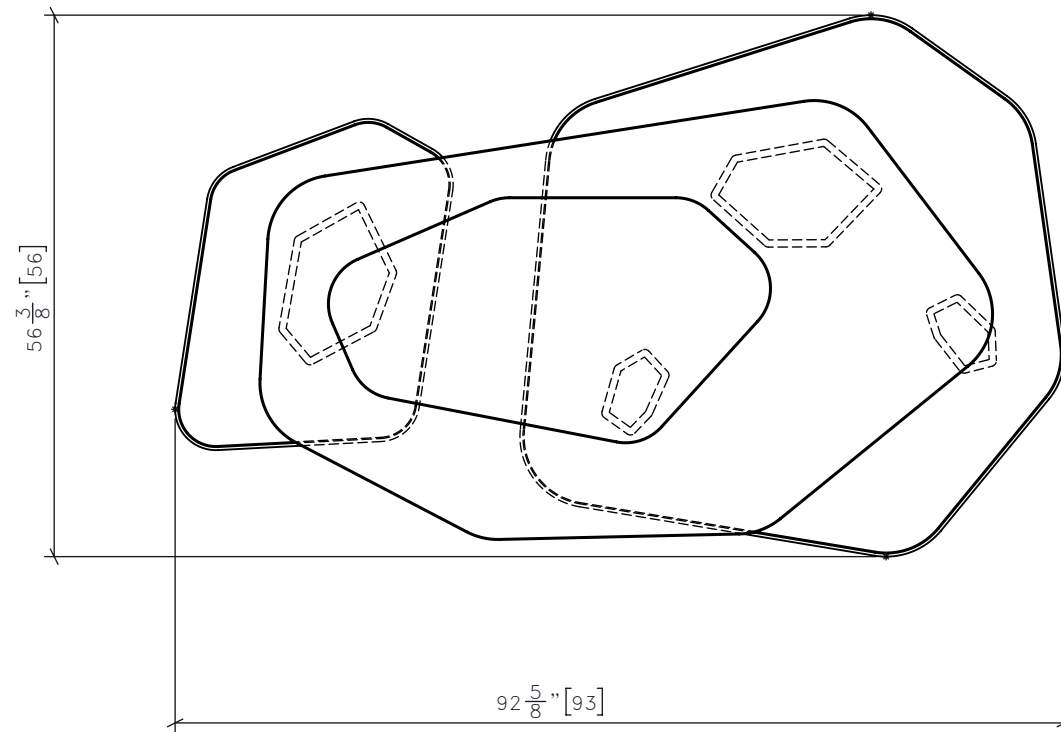


FOR DESIGN INTENT ONLY

DRAWING ARE NOT TO BE SCALED. CONTRACTOR MUST CHECK AND VERIFY ALL JOB DIMENSIONS, DRAWINGS, DETAILS AND SPECIFICATIONS; AND REPORT ANY DISCREPANCIES TO DESIGNER BEFORE PROCEEDING WITH WORK.

REV	ISSUED FOR	DATE



STUDIO MUNGE
 25 WINGOLD AVENUE
 TORONTO, ONTARIO
 M6B 1P8 CANADA
 416.588.1668
 STUDIOMUNGE.COM

-SCALE AS NOTED	-DATE 1/9/18
-DRAWN BY AM	-CHECKED BY
-PROJECT NAME	
PROJECT NAME	
-DRAWING TITLE	
XX-XXX	
-PROJECT NUMBER XXXXXX	
-DRAWING NUMBER 1 / 2	

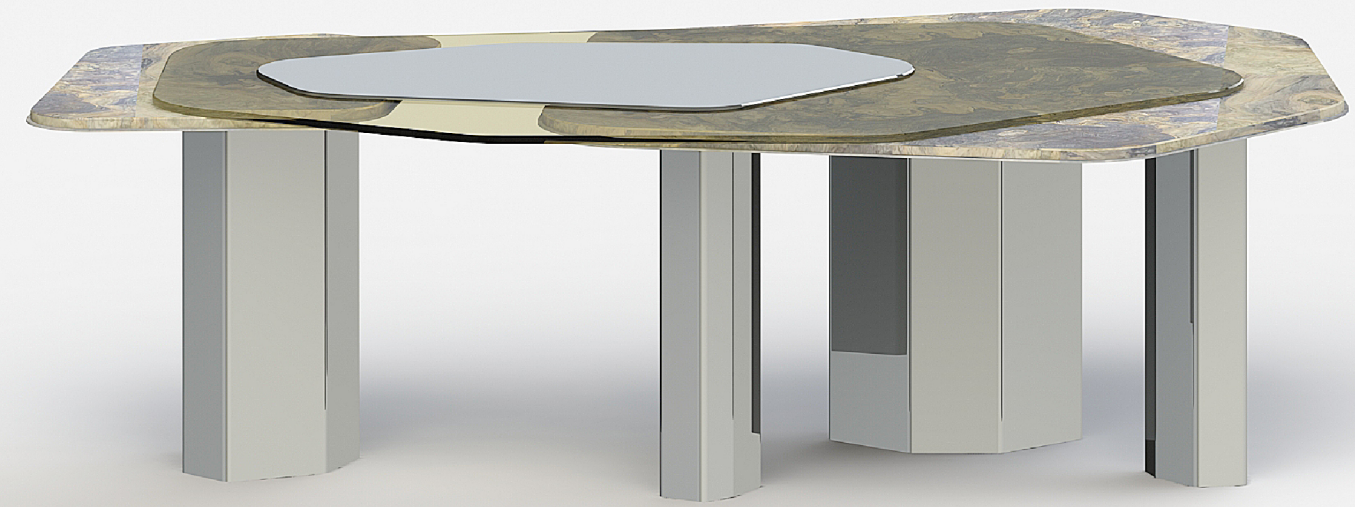
STUDIO MUNGE
Y
E
M
D
C
B
A
Y

1 2 3 4 5 6

FOR DESIGN INTENT ONLY

DRAWING ARE NOT TO BE SCALED. CONTRACTOR MUST CHECK AND VERIFY ALL JOB DIMENSIONS, DRAWINGS, DETAILS AND SPECIFICATIONS; AND REPORT ANY DISCREPANCIES TO DESIGNER BEFORE PROCEEDING WITH WORK.

REV.	ISSUED FOR	DATE



**STUDIO
MUNGE**
25 WINGOLD AVENUE
TORONTO, ONTARIO
M6B 1P8 CANADA
416.588.1668
STUDIOMUNGE.COM

SCALE AS NOTED **DATE** 1/9/18

DRAWN BY LS **CHECKED BY**

PROJECT NAME

PROJECT NAME

DRAWING TITLE

XX-XXX

PROJECT NUMBER
XXXXXX

DRAWING NUMBER
2 / 2

1 2 3 4 5 6