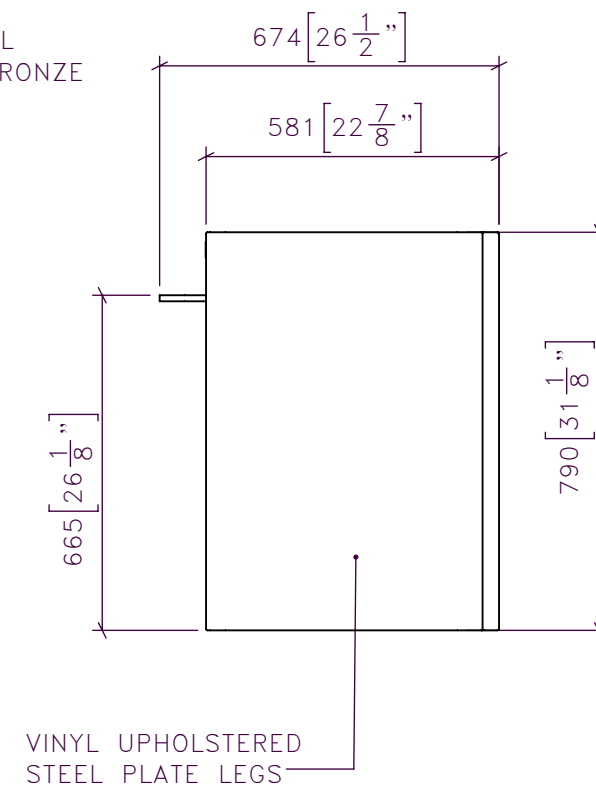
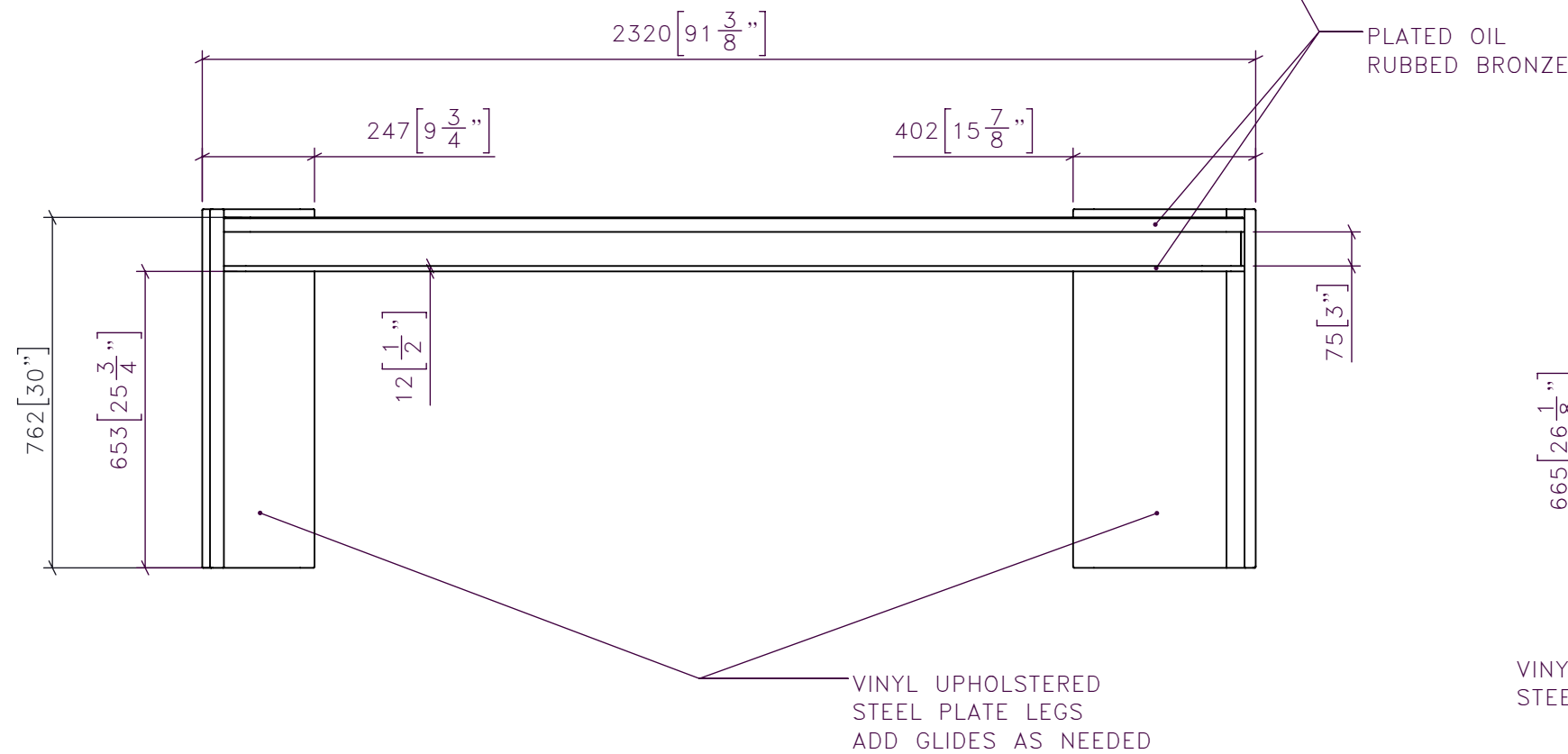
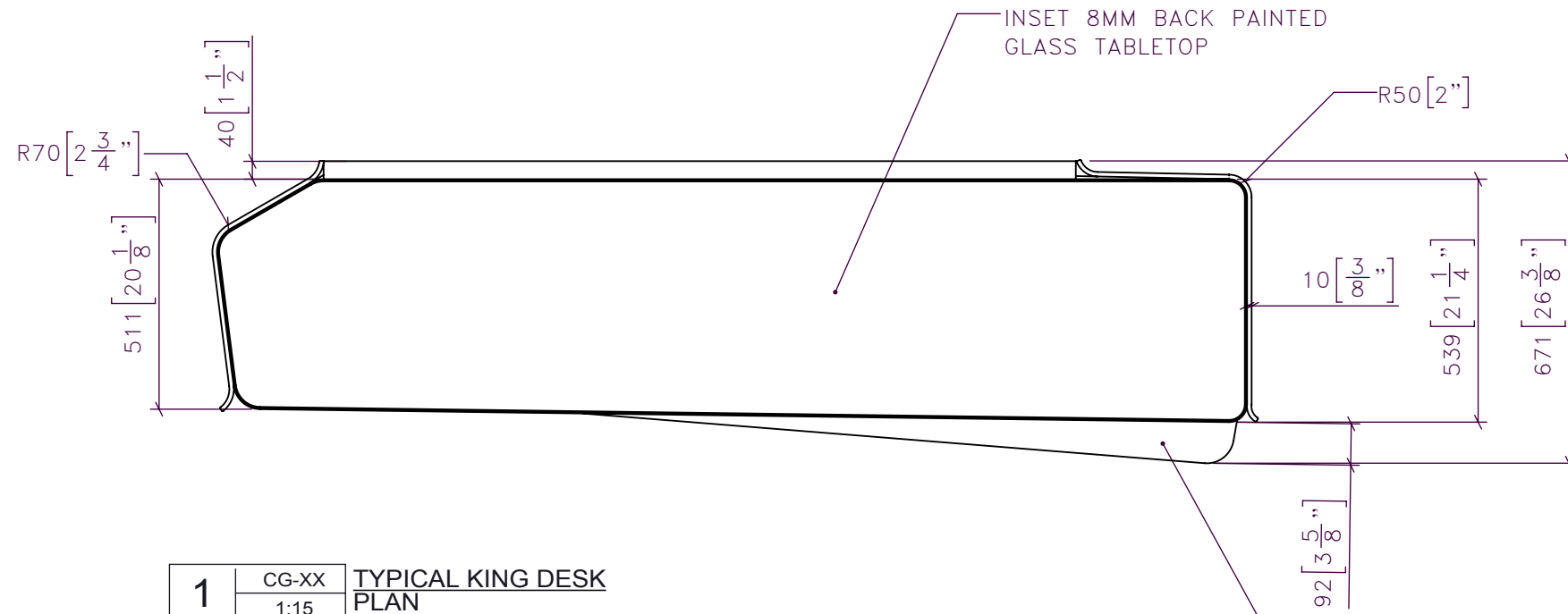


REV	ISSUED FOR	DATE



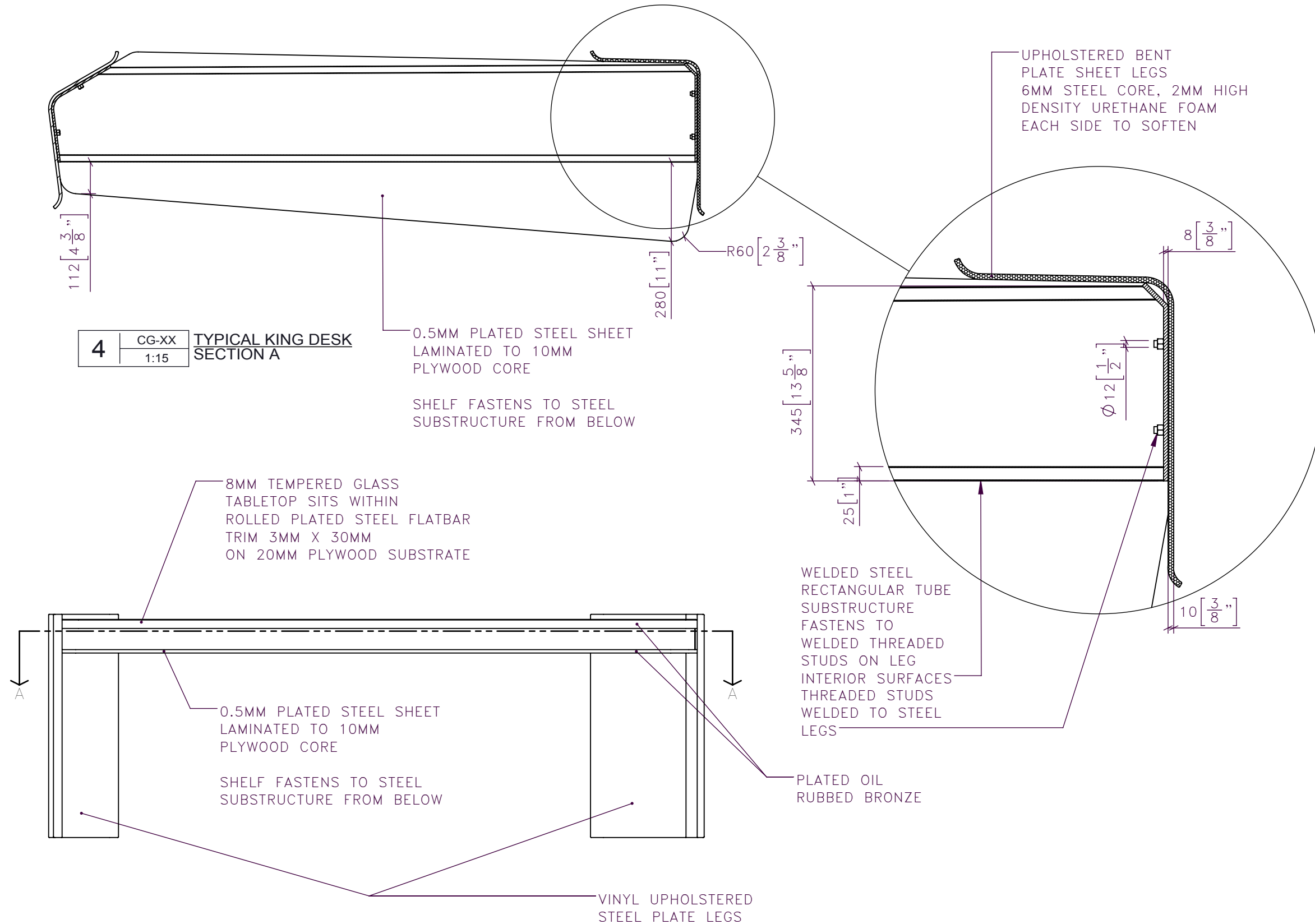
STUDIO MUNGE
 25 WINGOLD AVENUE
 TORONTO, ONTARIO
 M6B 1P8 CANADA
 416.588.1668
 STUDIOMUNGE.COM

-SCALE AS NOTED	-DATE 7/11/17
-DRAWN BY AM	-CHECKED BY
-PROJECT NAME 4050 YONGE ST	
-DRAWING TITLE TYPICAL KING DESK	
-PROJECT NUMBER 16123	
-DRAWING NUMBER 1 / 4	

-REV/	-ISSUED FOR	-DATE

STUDIO MUNGE
 25 WINGOLD AVENUE
 TORONTO, ONTARIO
 M6B 1P8 CANADA
 416.588.1668
 STUDIOMUNGE.COM

-SCALE AS NOTED	-DATE 7/11/17
-DRAWN BY AM	-CHECKED BY
-PROJECT NAME 4050 YONGE ST	
-DRAWING TITLE TYPICAL KING DESK	
-PROJECT NUMBER 16123	
-DRAWING NUMBER 2 / 4	



4 CG-XX
1:15
TYPICAL KING DESK SECTION A

5 CG-XX
1:15
TYPICAL KING DESK FRONT ELEVATION

FOR DESIGN INTENT ONLY

DRAWING ARE NOT TO BE SCALED. CONTRACTOR MUST CHECK AND VERIFY ALL JOB DIMENSIONS, DRAWINGS, DETAILS AND SPECIFICATIONS; AND REPORT ANY DISCREPANCIES TO DESIGNER BEFORE PROCEEDING WITH WORK.

-REV/	-ISSUED FOR	-DATE

STUDIO MUNGE
 25 WINGOLD AVENUE
 TORONTO, ONTARIO
 M6B 1P8 CANADA
 416.588.1668
 STUDIOMUNGE.COM

-SCALE AS NOTED	-DATE 7/11/17
-DRAWN BY AM	-CHECKED BY
-PROJECT NAME	
4050 YONGE ST	
-DRAWING TITLE	
TYPICAL KING DESK	
-PROJECT NUMBER	
16123	
-DRAWING NUMBER	
3 / 4	

UPHOLSTERED BENT
 PLATE SHEET LEGS
 6MM STEEL CORE, 2MM HIGH
 DENSITY URETHANE FOAM
 EACH SIDE TO SOFTEN

WELDED STEEL
 RECTANGULAR TUBE
 SUBSTRUCTURE
 FASTENS TO
 WELDED THREADED
 STUDS ON LEG
 INTERIOR SURFACES

0.5MM PLATED STEEL SHEET
 LAMINATED TO 10MM
 PLYWOOD CORE

SHELF FASTENS TO STEEL
 SUBSTRUCTURE FROM BELOW

8MM TEMPERED GLASS
 TABLETOP SITS WITHIN
 ROLLED PLATED STEEL FLATBAR
 TRIM 3MM X 30MM
 ON 20MM PLYWOOD SUBSTRATE

INSET 8MM BACK PAINTED
 GLASS TABLETOP

7 | CG-XX | TYPICAL KING DESK
 1:15 | ISOMETRIC (EXPLODED)

PLATED OIL
 RUBBED BRONZE

UPHOLSTERED BENT
 PLATE SHEET LEGS
 6MM STEEL CORE, 2MM HIGH
 DENSITY URETHANE FOAM
 EACH SIDE TO SOFTEN

VINYL UPHOLSTERED
 STEEL PLATE LEGS

6 | CG-XX | TYPICAL KING DESK
 1:15 | ISOMETRIC

STUDIO MUNGE
E
D
C
B
A
Y

FOR DESIGN INTENT ONLY

DRAWING ARE NOT TO BE SCALED. CONTRACTOR MUST CHECK AND VERIFY ALL JOB DIMENSIONS, DRAWINGS, DETAILS AND SPECIFICATIONS; AND REPORT ANY DISCREPANCIES TO DESIGNER BEFORE PROCEEDING WITH WORK.

-REV/	-ISSUED FOR	-DATE



**STUDIO
MUNGE**
25 WINGOLD AVENUE
TORONTO, ONTARIO
M6B 1P8 CANADA
416.588.1668
STUDIOMUNGE.COM

-SCALE
AS NOTED

-DATE
7/11/17

-DRAWN BY
AM

-CHECKED BY

-PROJECT NAME

4050 YONGE ST

-DRAWING TITLE

TYPICAL KING DESK

-PROJECT NUMBER
16123

-DRAWING NUMBER
4 / 4

8 CG-XX
NTS TYPICAL KING DESK
RENDERED VIEW