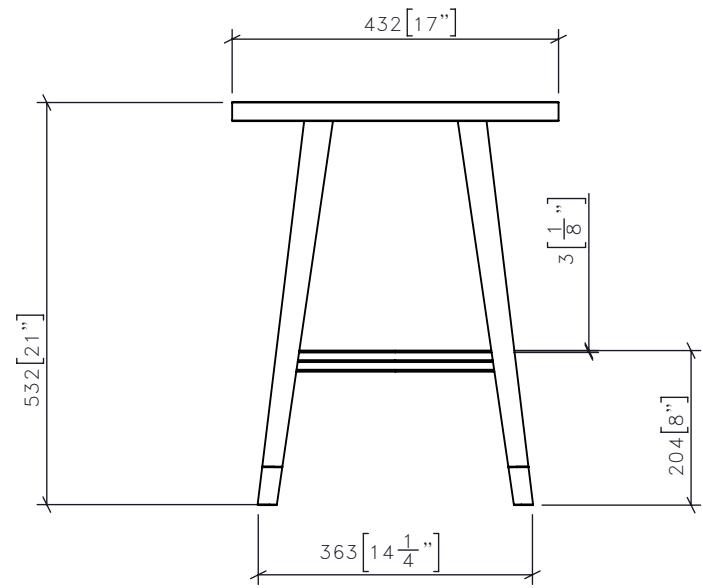
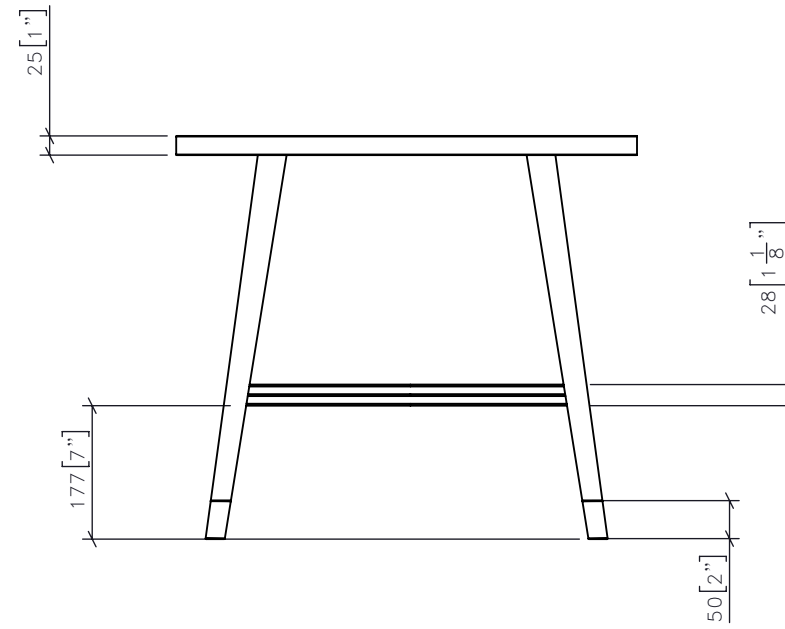


FOR DESIGN INTENT ONLY

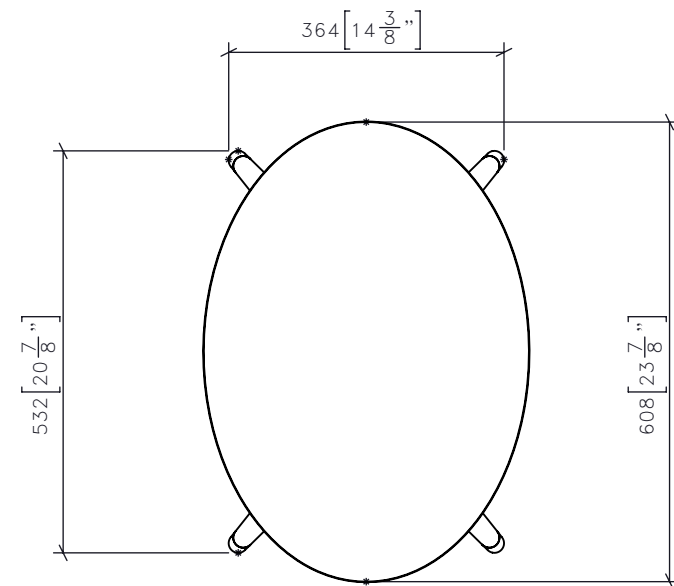
DRAWING ARE NOT TO BE SCALED. CONTRACTOR MUST CHECK AND VERIFY ALL JOB DIMENSIONS, DRAWINGS, DETAILS AND SPECIFICATIONS; AND REPORT ANY DISCREPANCIES TO DESIGNER BEFORE PROCEEDING WITH WORK.



1 | CG-XX | **SIDE TABLE**
1:10 | **FRONT ELEVATION**



3 | CG-XX | **SIDE TABLE**
1:10 | **SIDE ELEVATION**



2 | CG-XX | **SIDE TABLE**
1:10 | **PLAN**

-REV/	-ISSUED FOR	-DATE

STUDIO MUNGE
25 WINGOLD AVENUE
TORONTO, ONTARIO
M6B 1P8 CANADA
416.588.1668
STUDIOMUNGE.COM

-SCALE
AS NOTED

-DATE
1/10/18

-DRAWN BY
RC

-CHECKED BY

-PROJECT NAME

WESTLIGHT

-DRAWING TITLE

CG-XX
SIDE TABLE

-PROJECT NUMBER
XXXXXX

-DRAWING NUMBER
1 / 2

STUDIO MUNGE
Y
E
M
D
C
B
A
Y

FOR DESIGN INTENT ONLY

DRAWING ARE NOT TO BE SCALED. CONTRACTOR MUST CHECK AND VERIFY ALL JOB DIMENSIONS, DRAWINGS, DETAILS AND SPECIFICATIONS; AND REPORT ANY DISCREPANCIES TO DESIGNER BEFORE PROCEEDING WITH WORK.

-REV/	-ISSUED FOR	-DATE



**STUDIO
MUNGE**
25 WINGOLD AVENUE
TORONTO, ONTARIO
M6B 1P8 CANADA
416.588.1668
STUDIOMUNGE.COM

-SCALE
AS NOTED

-DATE
1/10/18

-DRAWN BY
AM

-CHECKED BY

-PROJECT NAME

WESTLIGHT

-DRAWING TITLE

CG-XX
SIDE TABLE

-PROJECT NUMBER
XXXXXX

-DRAWING NUMBER
2 / 2