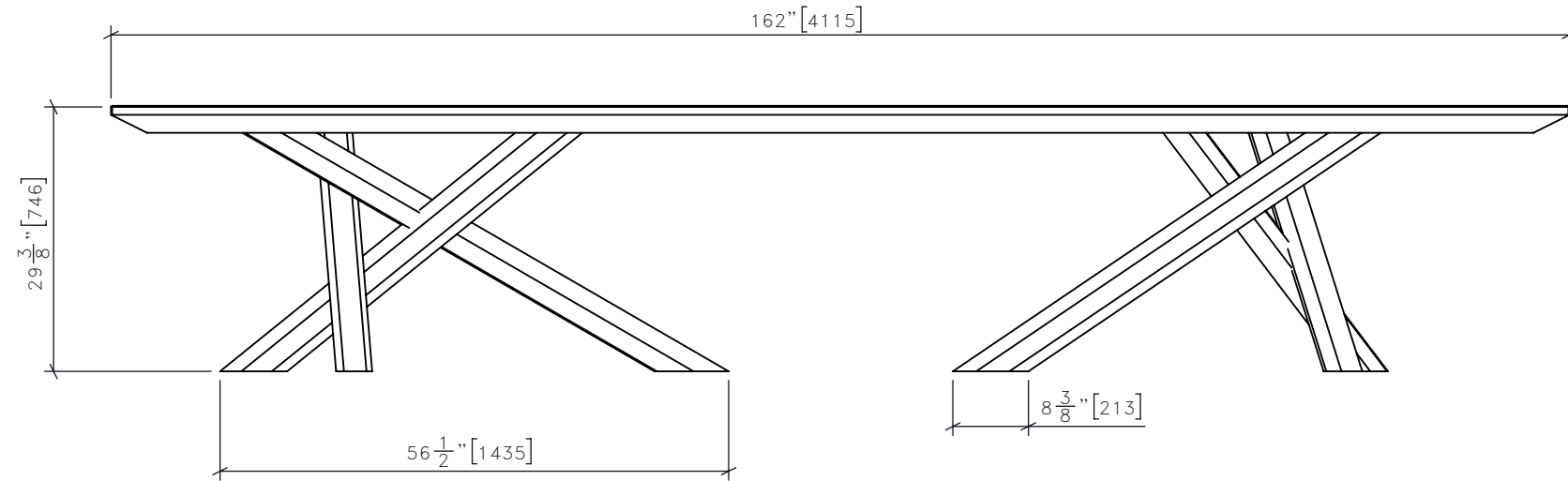


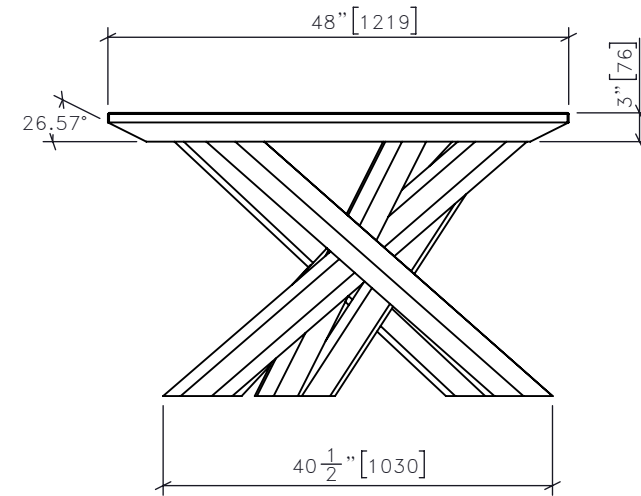
FOR DESIGN INTENT ONLY

DRAWING ARE NOT TO BE SCALED. CONTRACTOR MUST CHECK AND VERIFY ALL JOB DIMENSIONS, DRAWINGS, DETAILS AND SPECIFICATIONS; AND REPORT ANY DISCREPANCIES TO DESIGNER BEFORE PROCEEDING WITH WORK.

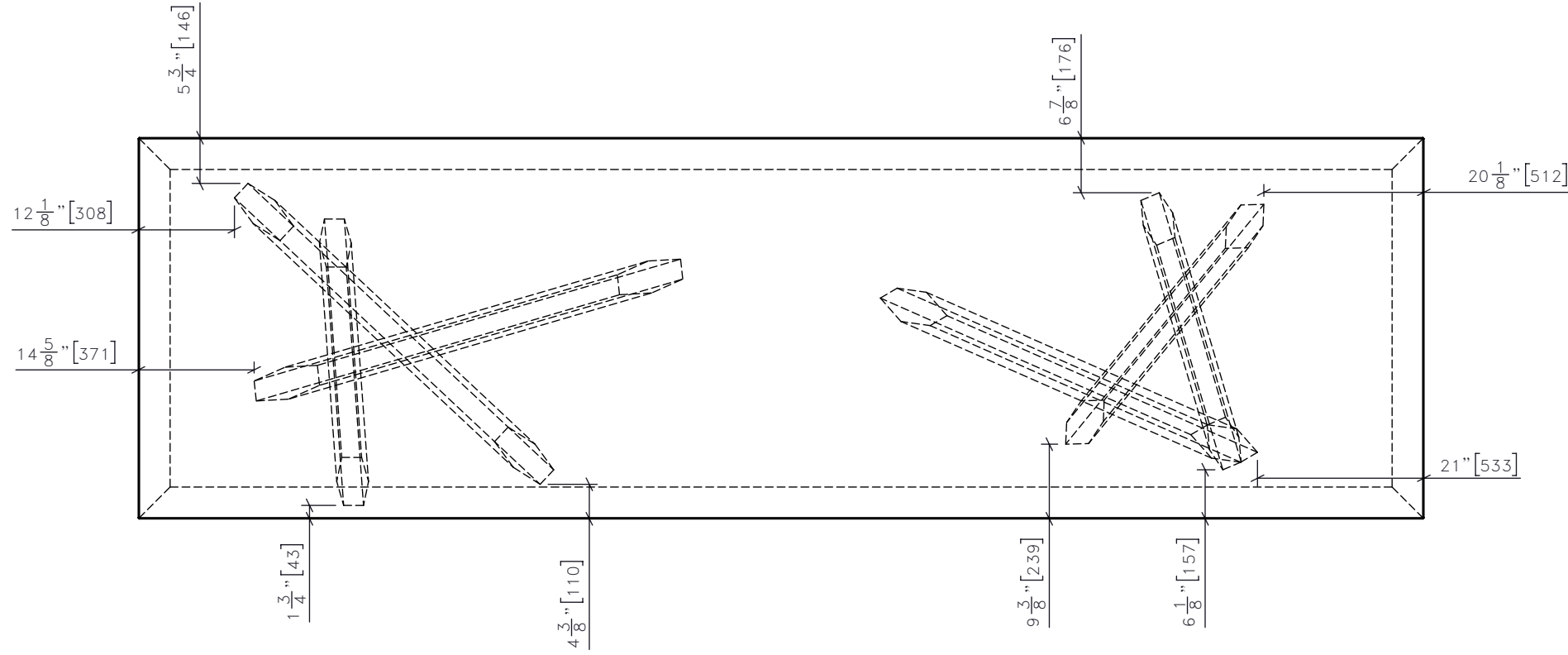
REV	ISSUED FOR	DATE



1 CG-XX DINING TABLE FRONT ELEVATION
1:20



2 CG-XX DINING TABLE SIDE ELEVATION
1:20



3 CG-XX DINING TABLE PLAN
1:20

STUDIO MUNGE
25 WINGOLD AVENUE
TORONTO, ONTARIO
M6B 1P8 CANADA
416.588.1668
STUDIOMUNGE.COM

SCALE AS NOTED DATE 12/8/17

DRAWN BY EP CHECKED BY

PROJECT NAME

PROJECT NAME

DRAWING TITLE

XX-XXX

PROJECT NUMBER XXXXXX

DRAWING NUMBER 1 / 2

STUDIO MUNGE
Y
E
M
D
C
B
A
Y

1 2 3 4 5 6

FOR DESIGN INTENT ONLY



DRAWING ARE NOT TO BE SCALED. CONTRACTOR MUST CHECK AND VERIFY ALL JOB DIMENSIONS, DRAWINGS, DETAILS AND SPECIFICATIONS; AND REPORT ANY DISCREPANCIES TO DESIGNER BEFORE PROCEEDING WITH WORK.

REV	ISSUED FOR	DATE

STUDIO MUNGE
25 WINGOLD AVENUE
TORONTO, ONTARIO
M6B 1P8 CANADA
416.588.1668
STUDIOMUNGE.COM

SCALE AS NOTED
DATE 12/8/17

DRAWN BY EP
CHECKED BY

PROJECT NAME

PROJECT NAME

DRAWING TITLE

XX-XXX

PROJECT NUMBER
XXXXXX

DRAWING NUMBER
2 / 2

1 2 3 4 5 6