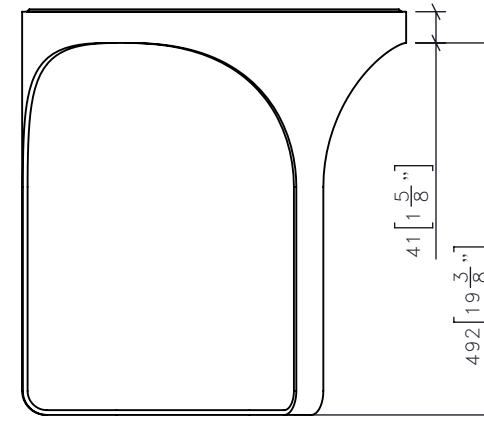
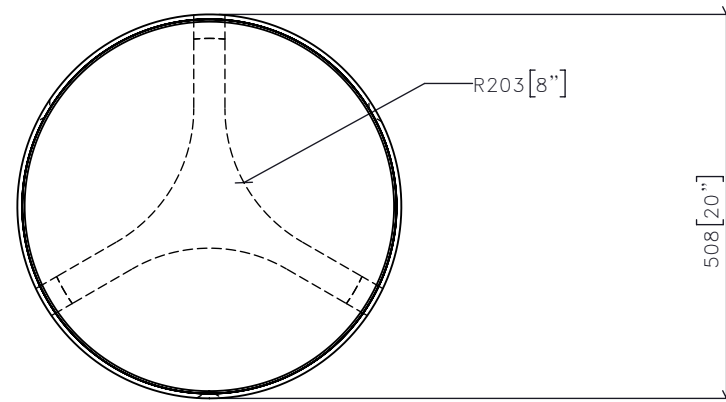


1 | CG-XX | **SIDE TABLE FRONT ELEVATION**
1:10



3 | CG-XX | **SIDE TABLE SIDE ELEVATION**
1:10



2 | CG-XX | **SIDE TABLE PLAN**
1:10

-REV/	-ISSUED FOR	-DATE

STUDIO MUNGE
25 WINGOLD AVENUE
TORONTO, ONTARIO
M6B 1P8 CANADA
416.588.1668
STUDIOMUNGE.COM

-SCALE
AS NOTED

-DATE
1/10/18

-DRAWN BY
RC

-CHECKED BY

-PROJECT NAME

STUDIO MUNGE FURNITURE COLLECTION

-DRAWING TITLE

CG-XX
SIDE TABLE

-PROJECT NUMBER
XXXXXX

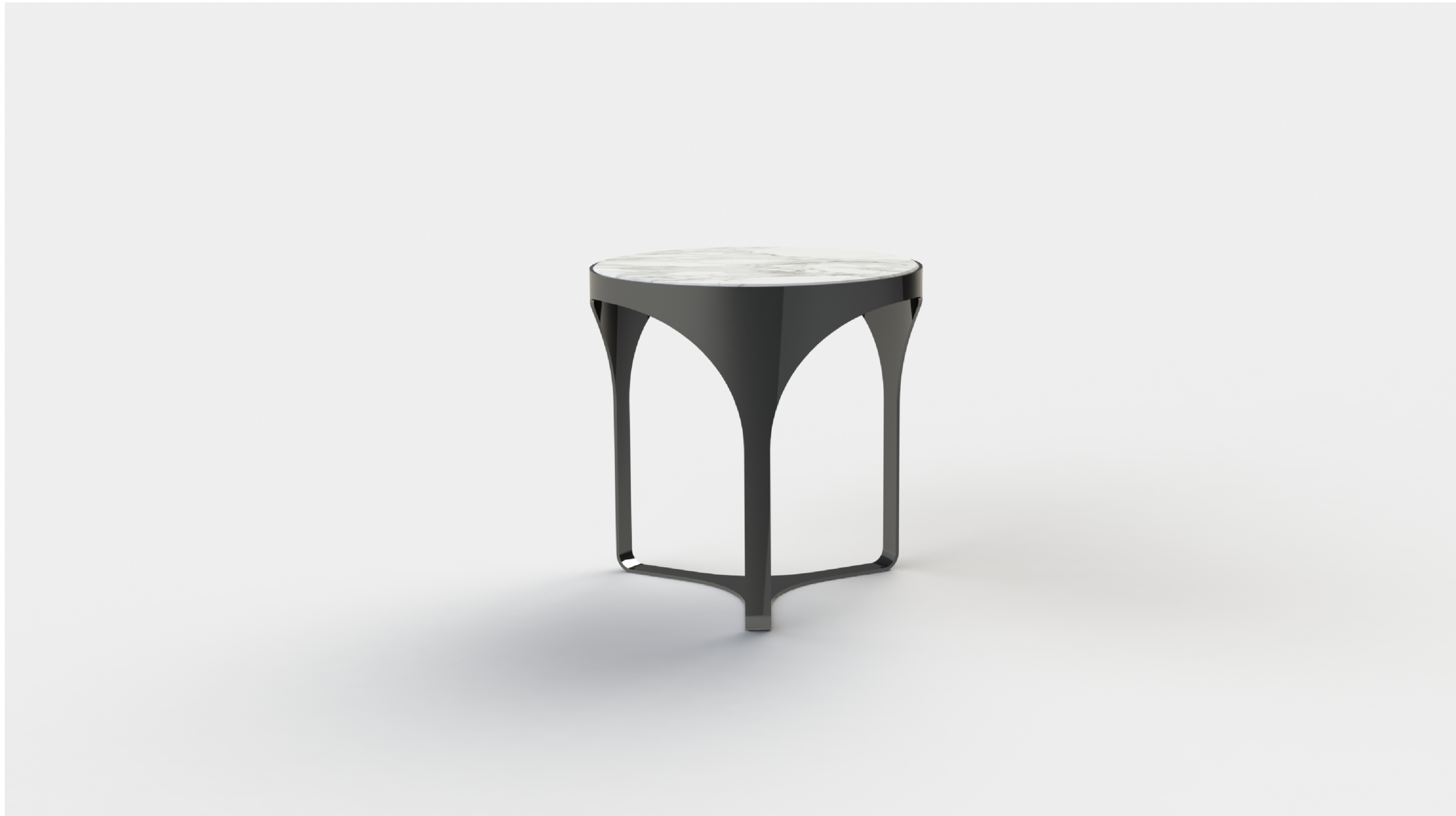
-DRAWING NUMBER
1 / 2

STUDIO MUNGE
Y
E
M
D
C
B
A
Y

FOR DESIGN INTENT ONLY

DRAWING ARE NOT TO BE SCALED. CONTRACTOR MUST CHECK AND VERIFY ALL JOB DIMENSIONS, DRAWINGS, DETAILS AND SPECIFICATIONS; AND REPORT ANY DISCREPANCIES TO DESIGNER BEFORE PROCEEDING WITH WORK.

-REV/	-ISSUED FOR	-DATE



**STUDIO
MUNGE**
25 WINGOLD AVENUE
TORONTO, ONTARIO
M6B 1P8 CANADA
416.588.1668
STUDIOMUNGE.COM

-SCALE
AS NOTED

-DATE
1/10/18

-DRAWN BY
AM

-CHECKED BY

-PROJECT NAME

STUDIO MUNGE FURNITURE COLLECTION

-DRAWING TITLE

CG-XX
SIDE TABLE

-PROJECT NUMBER
XXXXXX

-DRAWING NUMBER
2 / 2