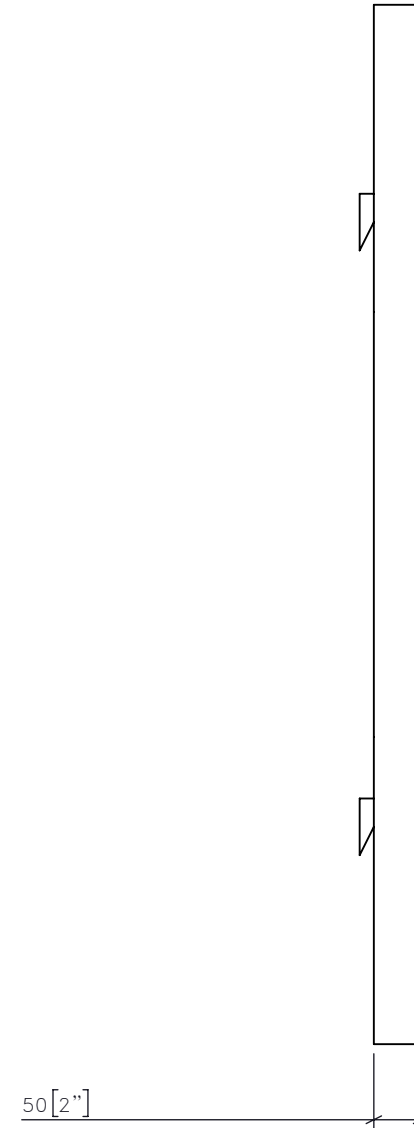
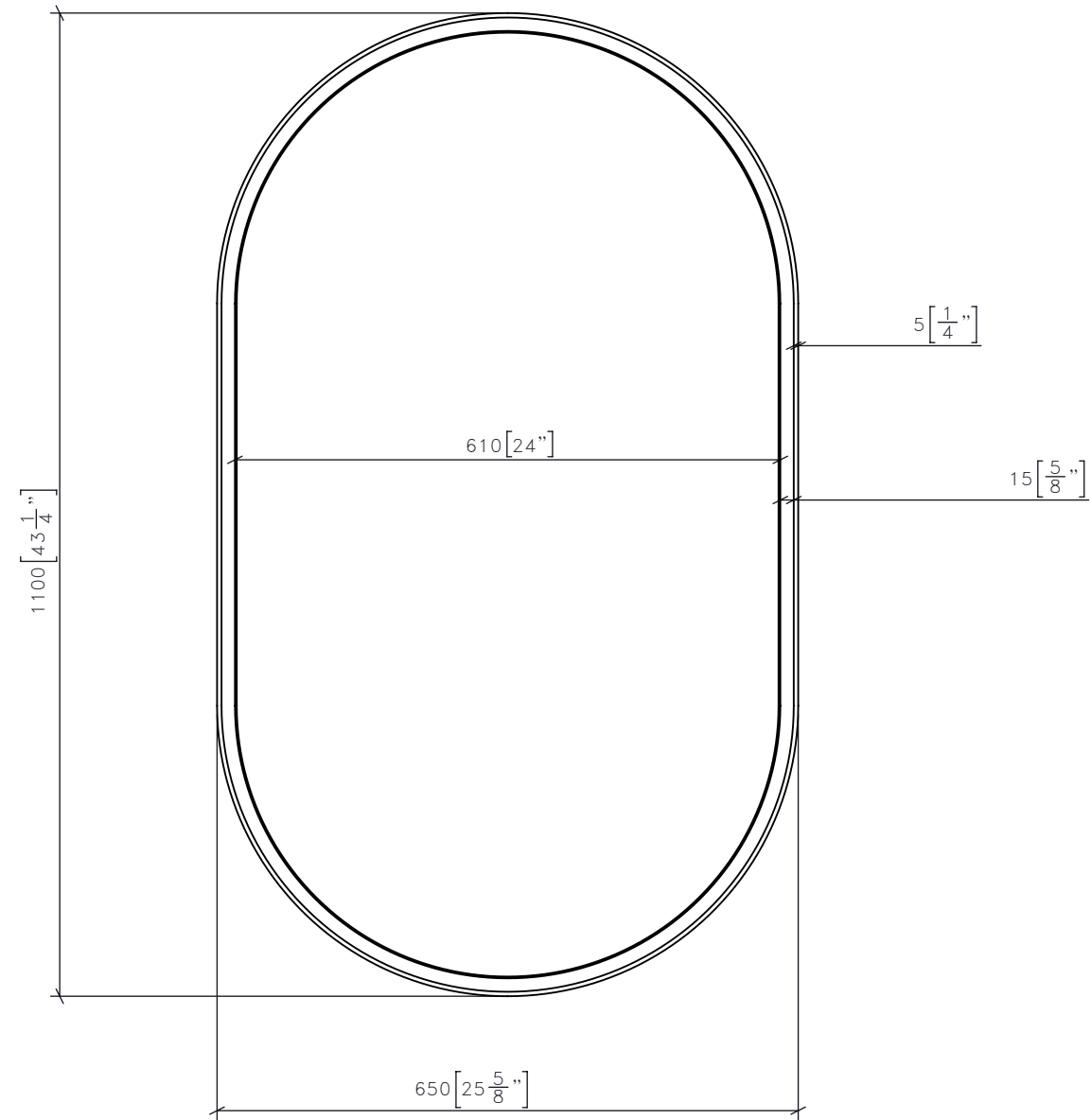


STUDIO MUNGE

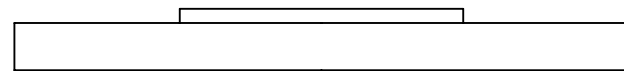
FOR DESIGN INTENT ONLY

DRAWING ARE NOT TO BE SCALED. CONTRACTOR MUST CHECK AND VERIFY ALL JOB DIMENSIONS, DRAWINGS, DETAILS AND SPECIFICATIONS; AND REPORT ANY DISCREPANCIES TO DESIGNER BEFORE PROCEEDING WITH WORK.



1 CG-XX MIRROR
1:8 FRONT ELEVATION

3 CG-XX MIRROR
1:8 SIDE ELEVATION



2 CG-XX MIRROR
1:8 PLAN

-REV/	-ISSUED FOR	-DATE

STUDIO MUNGE
 25 WINGOLD AVENUE
 TORONTO, ONTARIO
 M6B 1P8 CANADA
 416.588.1668
 STUDIOMUNGE.COM

-SCALE AS NOTED
-DATE 1/8/18

-DRAWN BY RC
-CHECKED BY

-PROJECT NAME
 STUDIO MUNGE FURNITURE

-DRAWING TITLE
 CG-XX
 MIRROR

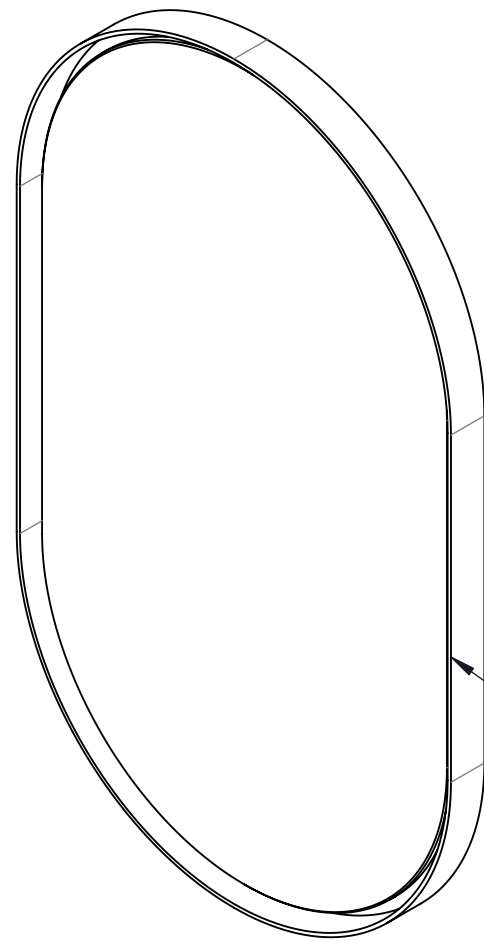
-PROJECT NUMBER
 XXXXXX

-DRAWING NUMBER
 1 / 3

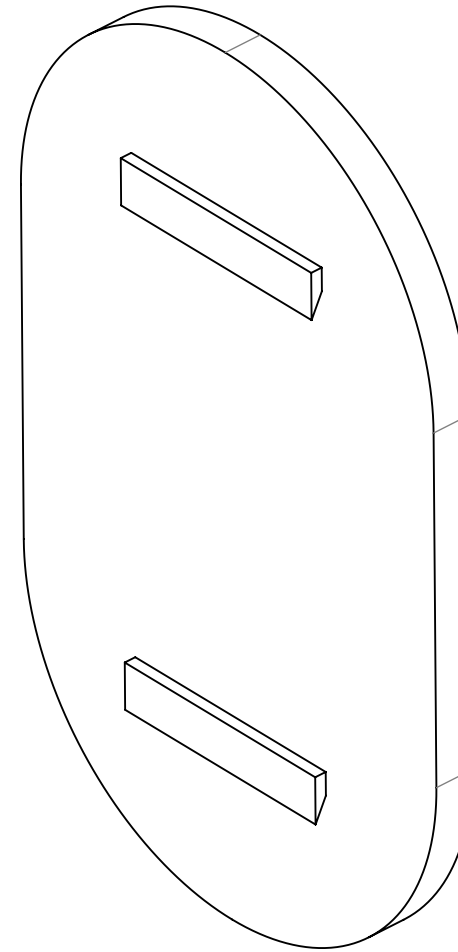
FOR DESIGN INTENT ONLY

DRAWING ARE NOT TO BE SCALED. CONTRACTOR MUST CHECK AND VERIFY ALL JOB DIMENSIONS, DRAWINGS, DETAILS AND SPECIFICATIONS; AND REPORT ANY DISCREPANCIES TO DESIGNER BEFORE PROCEEDING WITH WORK.

REV	ISSUED FOR	DATE



4 CG-XX MIRROR
1:8 ISOMETRIC FRONT



5 CG-XX MIRROR
1:8 ISOMETRIC REAR

1/4" METAL FRAMING

STUDIO MUNGE
25 WINGOLD AVENUE
TORONTO, ONTARIO
M6B 1P8 CANADA
416.588.1668
STUDIOMUNGE.COM

-SCALE AS NOTED
-DATE 1/8/18

-DRAWN BY AM
-CHECKED BY

-PROJECT NAME
STUDIO MUNGE FURNITURE

-DRAWING TITLE
CG-XX MIRROR

-PROJECT NUMBER
XXXXXX

-DRAWING NUMBER
2 / 3

STUDIO MUNGE
E
F
D
C
B
A
Y

1

2

3

4

5

6

FOR DESIGN INTENT ONLY

DRAWING ARE NOT TO BE SCALED. CONTRACTOR MUST CHECK AND VERIFY ALL JOB DIMENSIONS, DRAWINGS, DETAILS AND SPECIFICATIONS; AND REPORT ANY DISCREPANCIES TO DESIGNER BEFORE PROCEEDING WITH WORK.

-REV/	-ISSUED FOR	-DATE



**STUDIO
MUNGE**
25 WINGOLD AVENUE
TORONTO, ONTARIO
M6B 1P8 CANADA
416.588.1668
STUDIOMUNGE.COM

-SCALE
AS NOTED

-DATE
1/8/18

-DRAWN BY
AM

-CHECKED BY

-PROJECT NAME

STUDIO MUNGE FURNITURE

-DRAWING TITLE

CG-XX
MIRROR

-PROJECT NUMBER
XXXXXX

-DRAWING NUMBER
3 / 3

1

2

3

4

5

6