

DRAWING ARE NOT TO BE SCALED. CONTRACTOR MUST CHECK AND VERIFY ALL JOB DIMENSIONS, DRAWINGS, DETAILS AND SPECIFICATIONS; AND REPORT ANY DISCREPANCIES TO DESIGNER BEFORE PROCEEDING WITH WORK.

REV.	ISSUED FOR	DATE

STUDIO MUNGE
 25 WINGOLD AVENUE
 TORONTO, ONTARIO
 M6B 1P8 CANADA
 416.588.1668
 STUDIOMUNGE.COM

SCALE
AS NOTED

DATE
12/8/17

DRAWN BY
EP

CHECKED BY

PROJECT NAME

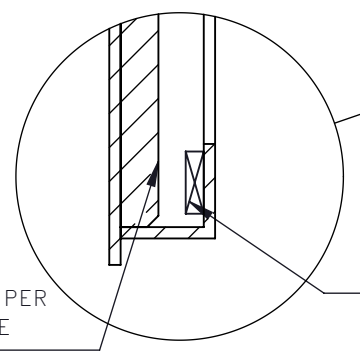
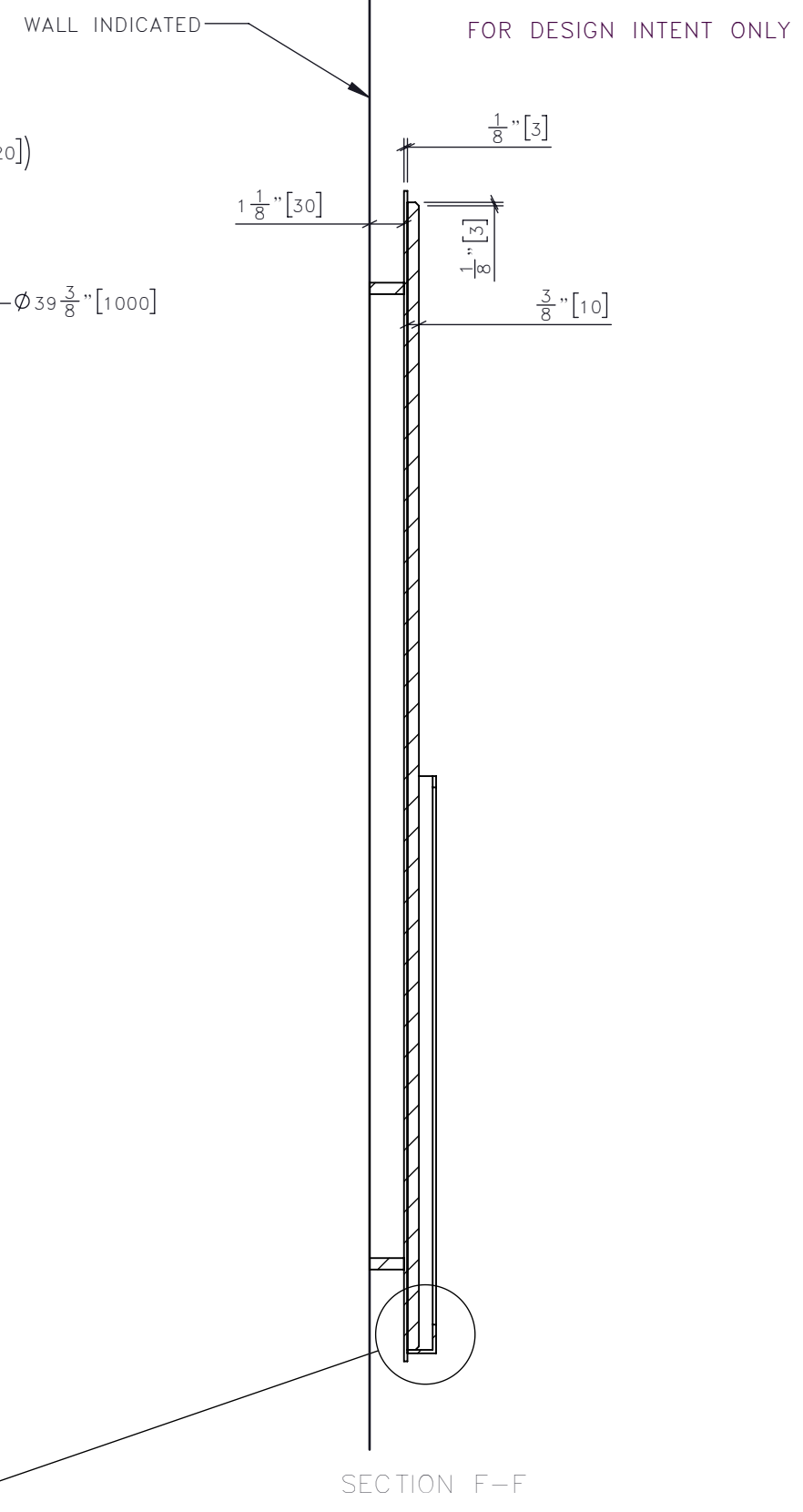
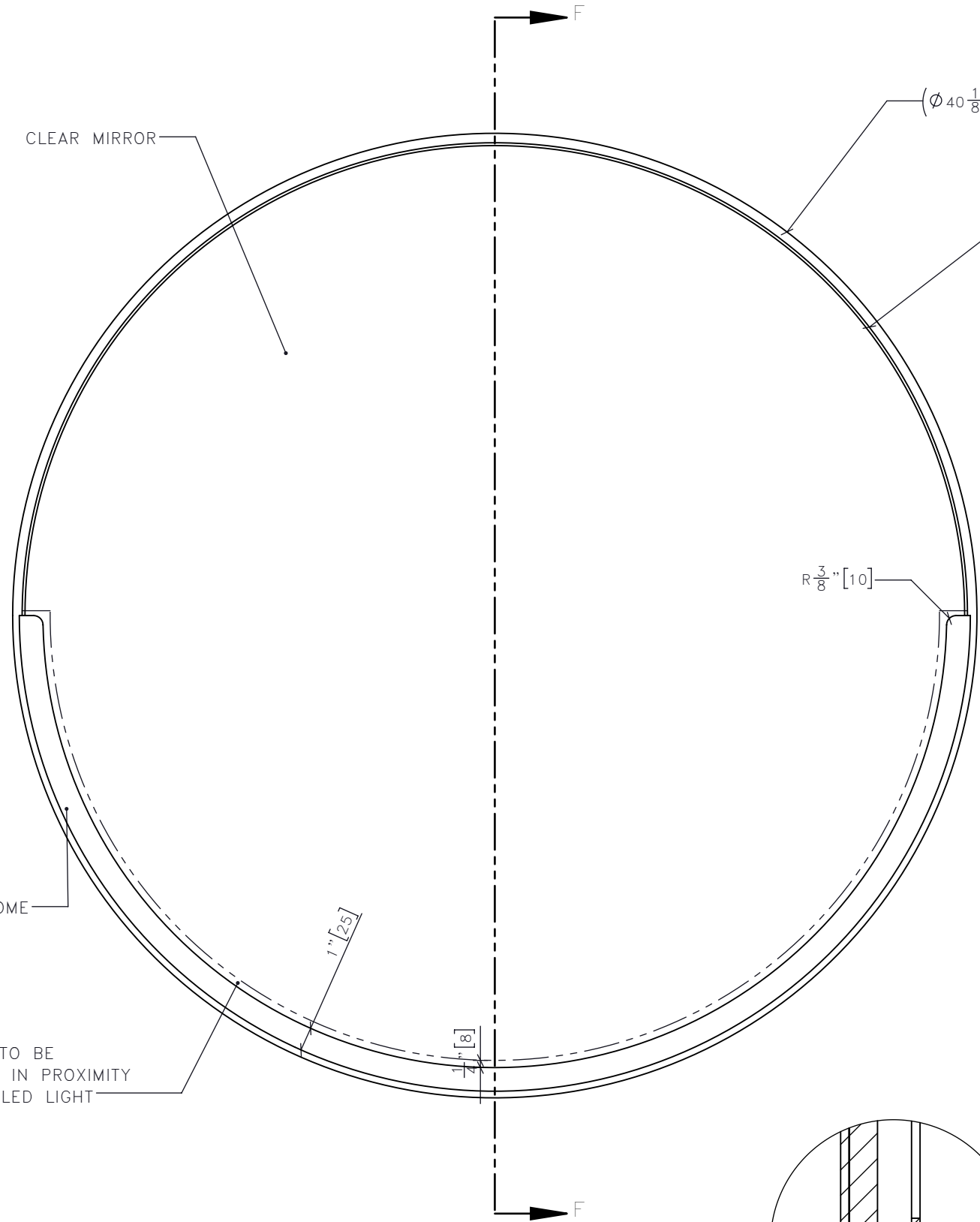
MUNGE COLLECTION

DRAWING TITLE

CG-XX
ROUND MIRROR

PROJECT NUMBER
XXXXXX

DRAWING NUMBER
1 / 2

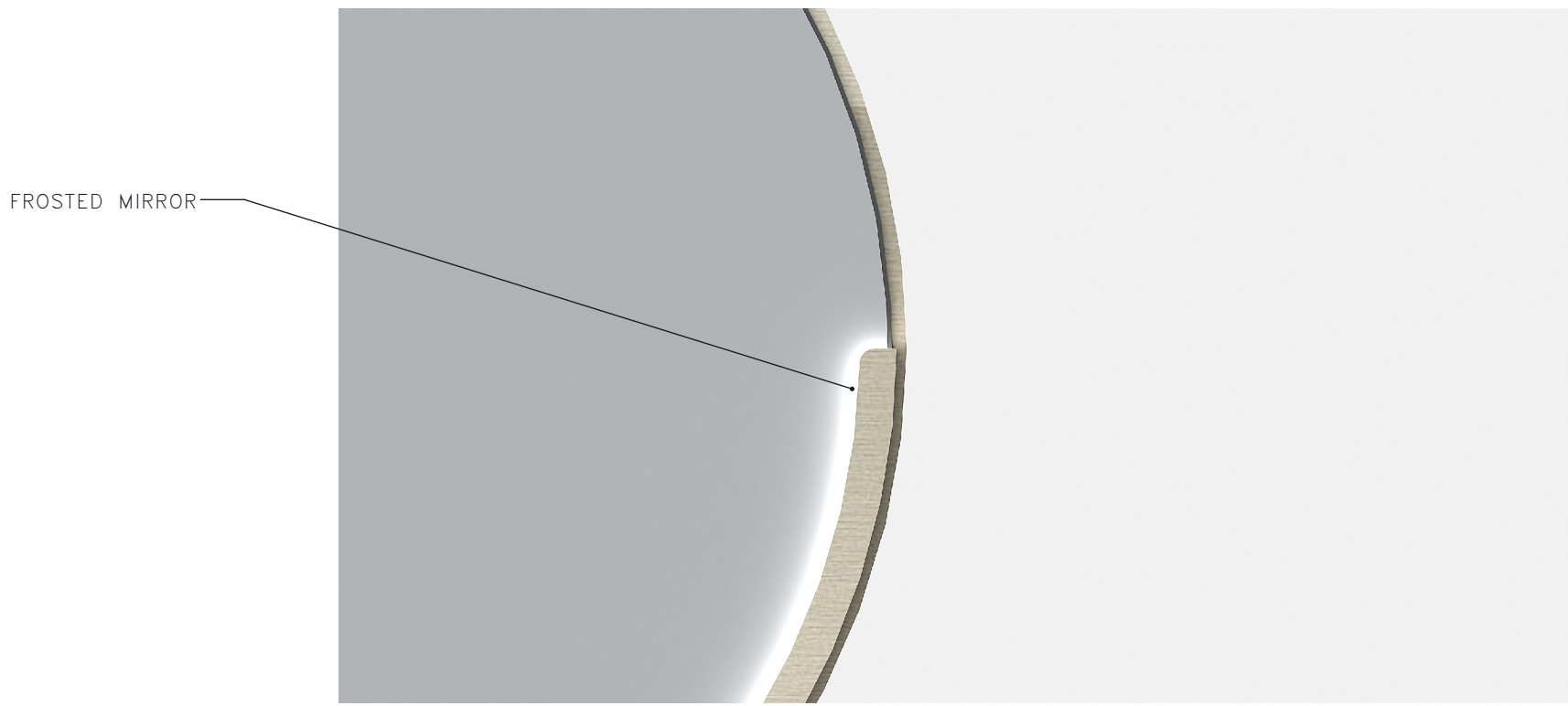
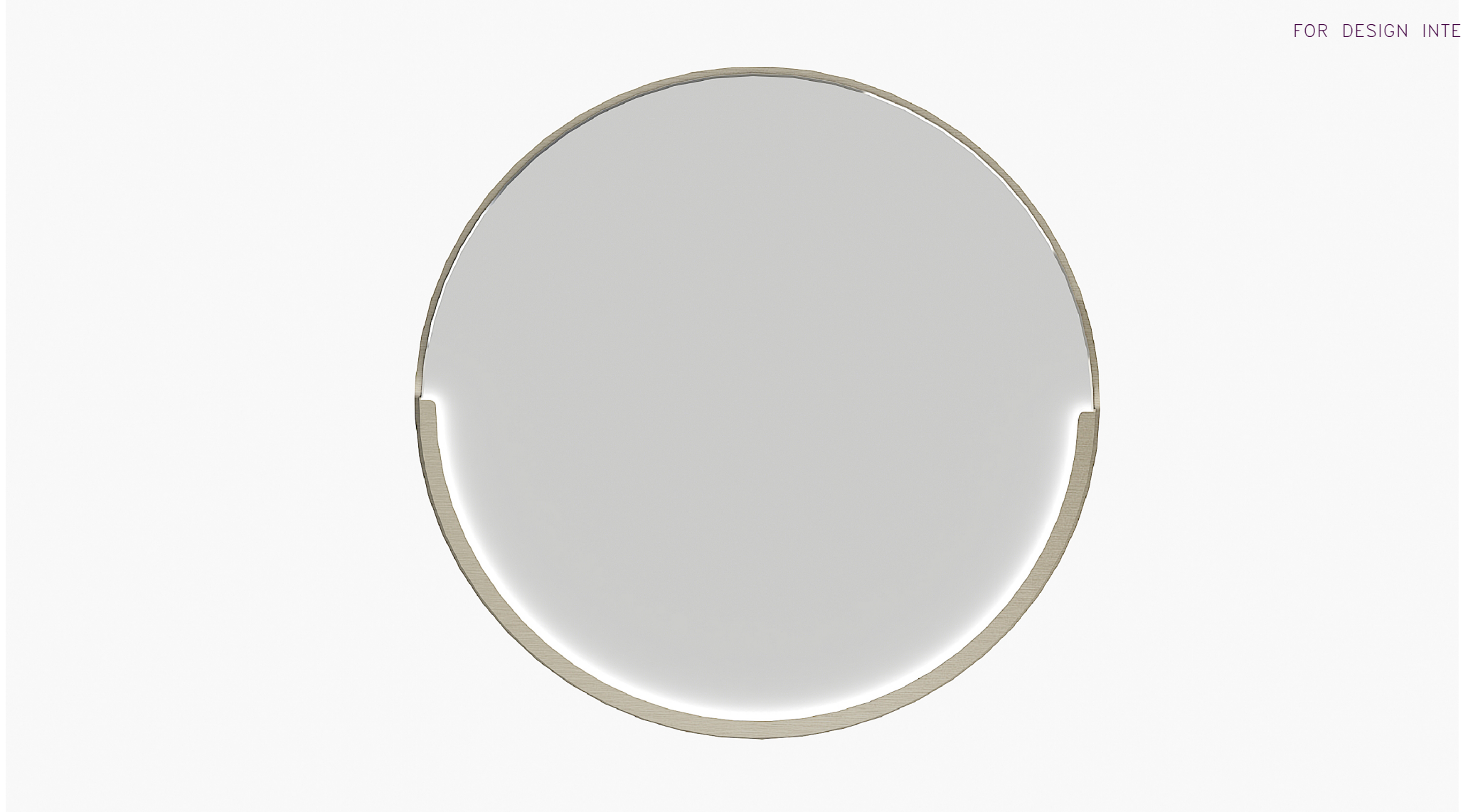


1 CG-XX
1:6 **ROUND MIRROR FRONT ELEVATION**

1 CG-XX
1:6 **ROUND MIRROR SIDE SECTION**

DETAIL G
SCALE 1 : 2

STUDIO MUNGE
X
Y
A
B
C
D
E
F
G
H
I
J
K
L
M
N
O
P
Q
R
S
T
U
V
W
X
Y



DRAWING ARE NOT TO BE SCALED. CONTRACTOR MUST CHECK AND VERIFY ALL JOB DIMENSIONS, DRAWINGS, DETAILS AND SPECIFICATIONS; AND REPORT ANY DISCREPANCIES TO DESIGNER BEFORE PROCEEDING WITH WORK.

REV	ISSUED FOR	DATE

STUDIO MUNGE
25 WINGOLD AVENUE
TORONTO, ONTARIO
M6B 1P8 CANADA
416.588.1668
STUDIOMUNGE.COM

SCALE
AS NOTED

DATE
12/8/17

DRAWN BY
EP

CHECKED BY

PROJECT NAME
MUNGE COLLECTION

DRAWING TITLE
CG-XX
ROUND MIRROR

PROJECT NUMBER
XXXXXX

DRAWING NUMBER
2 / 2